



**W2979 RIVIERA**



**W2979**  
**Žací stroj / Lawn Tractor**

**Seznam dílů / Parts catalogue**  
**Platí od / Valid since**

**W2902-0001**

**WISCONSIN Engineering CZ, s.r.o.**

**Průmyslová 4649/20, 796 01**

**PROSTĚJOV,**


**E-mail: [ND@wisconsineng.cz](mailto:ND@wisconsineng.cz)**

**[www.wisconsineng.cz](http://www.wisconsineng.cz)**

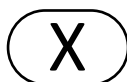
**[www.sekamtravu.cz](http://www.sekamtravu.cz)**

## Pokyny k objednávání náhradních dílů

Tento katalog obsahuje seznam náhradních dílů a jejich sestavení do montážních skupin. Katalog je uspořádán tak, že za ilustrovanou stranou následuje textová strana. Na textové straně jsou kolonky:

| A     |  | B  |       |             |   |
|-------|--|----|-------|-------------|---|
| W29XX | EB100 ZACI STROJ W2979<br>LAWN TRACTOR W2979 |    |       |             |  |
| PO.   | Ob.č./No.O                                   | In | Název | Description | ks  |
| 1     | 2  | 3  | 4     | 4           | 5   |

- A - Označení stroje
- B - Označení a název skupiny
- 1 - Pozice položky katalogu
- 2 - Objednací číslo
- 3 - Index
- 4 - Název součásti, rozměr
- 5 - Počet kusů do sestavy



- Pozice na listech označené v oválu znázorňují, že k dané sestavě je výkresová a textová část, pro objednání náhradních dílů.

### Při objednávce náhradních dílů uveďte vždy:

- typ stroje
- výrobní číslo stroje
- objednáací číslo
- přesný název součásti


### Neautorizované náhradní díly

Používejte pouze náhradní díly autorizované společností Wisconsin Engineering. Výměna jakéhokoli dílu na tomto stroji za jiný, než náhradní díl autorizovaný společností Wisconsin Engineering může nepříznivě ovlivnit výkon, životnost nebo bezpečnost této jednotky a může zrušit platnost záruky. Společnost Wisconsin Engineering se zříká odpovědnosti za jakékoli nároky nebo škody, ať už se jedná o záruku, poškození majetku, zranění osob nebo smrt v důsledku použití neautorizovaných náhradních dílů.

Společnost Wisconsin Engineering stále zdokonaluje své výrobky na základě provozních zkušeností a nejnovějších poznatků. Proto si vyhrazuje možnost změn na strojích i v dokumentaci.

## Spare Part Ordering Information

This catalogue lists parts. Parts are listed by major component groups. This document is arranged so that an illustration page is followed by a text page which identifies illustrations positions by:

| A     |  | B  |       |             |   |
|-------|--|----|-------|-------------|---|
| W29XX | EB100 ZACI STROJ W2979<br>LAWN TRACTOR W2979 |    |       |             |  |
| PO.   | Ob.č./No.O                                   | In | Název | Description | ks  |
| 1     | 2  | 3  | 4     | 4           | 5   |

- A - Type of machine
- B - Assembly identification and name
- 1 - Part position
- 2 - Part ordering number
- 3 - Index
- 4 - Description and dimensions where applicable
- 5 - Quantity in assembly



- The positions marked in ovals on the sheets represent that there is a drawing and text section for ordering spare parts for the given assembly.

**When ordering spare parts, the following information must be provided in order to ensure parts order is filled accurately:**

- Type of machine
- Manufacturing serial number
- Part number
- Part description

### Unauthorized replacement parts

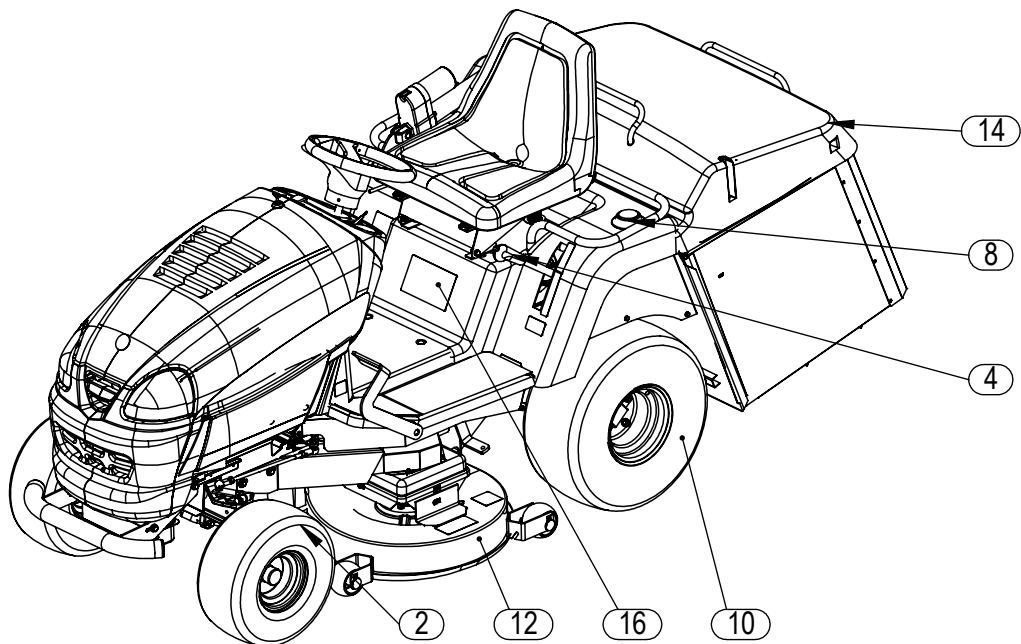
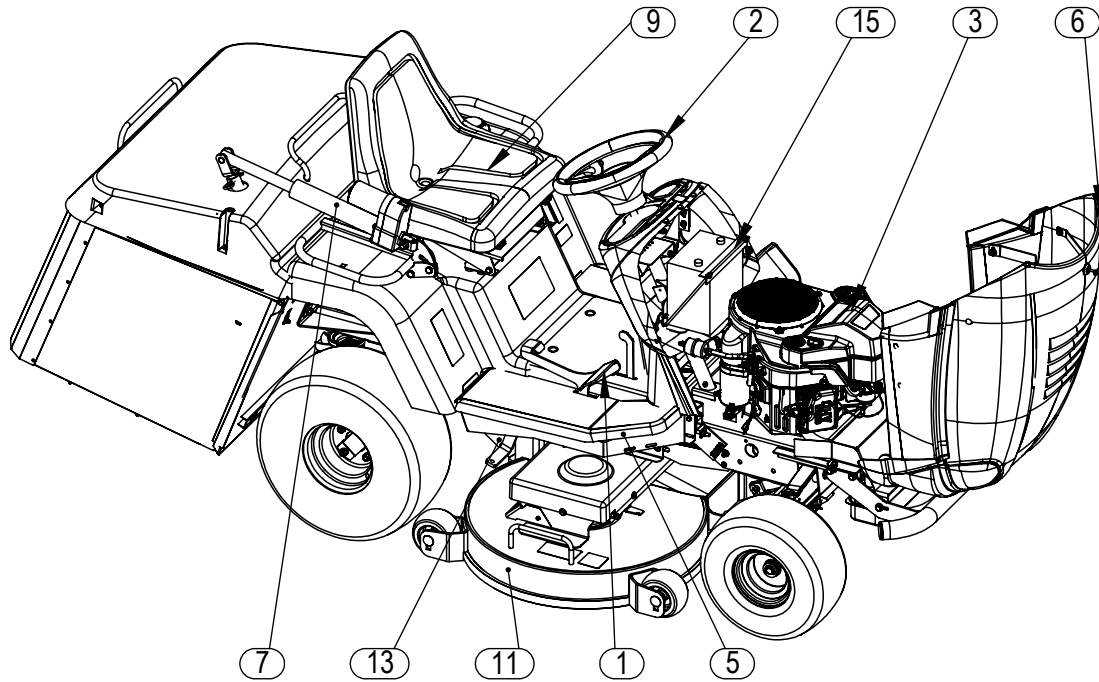
Use only Wisconsin Engineering authorized replacement parts. The replacement of any part on this machine with anything other than a Wisconsin Engineering authorized replacement part may adversely affect the performance, durability, or safety of this unit and may void the warranty. Wisconsin Engineering disclaims liability for any claims or damages, whether warranty, property damage, personal injury or death arising out of the use of unauthorized replacement parts.

Wisconsin Engineering's policy is one of continuous improvement. The right to change prices, specification, or equipment at any time without public notice or obligation, is reserved.

## VÝKRESOVÁ A TEXTOVÁ ČÁST

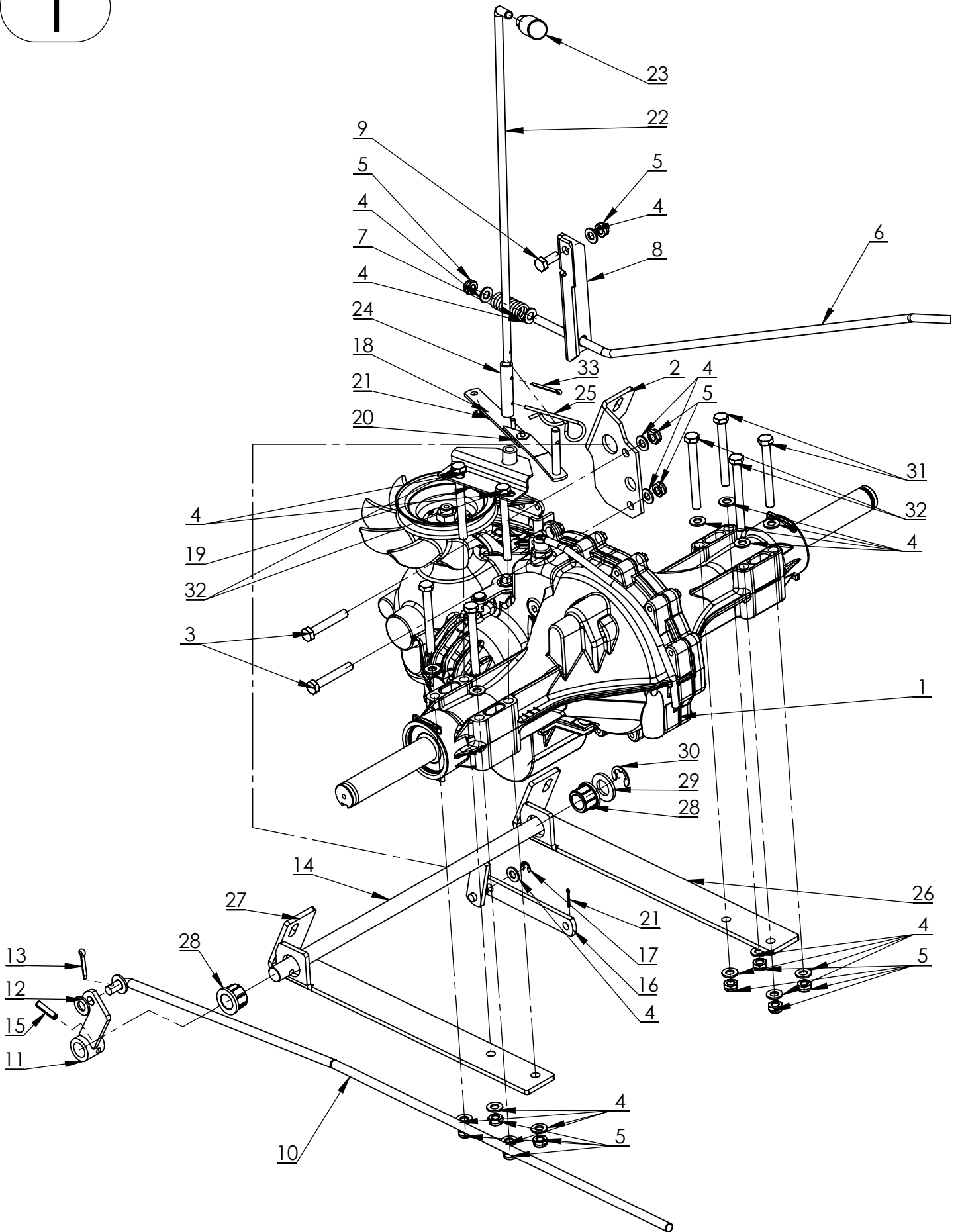
## ILLUSTRATIONS AND TEXT SECTION

|    |   |    |
|----|---|----|
| 1  | ZACI STROJ W2979 - LAWN TRACTOR W2979           | 2  |
| 2  | ZADNI NAPRAVA OVLADANI - REAR AXLE CONTROL      | 3  |
| 3  | RIZENI W29 - STEERING W29                       | 7  |
| 4  | MOTOR A POJEZD - ENGINE DRIVE SYSTEM W2979      | 10 |
| 5  | ZVEDANI SEKACKY W29 - MOWING DECK LIFT SYSTEM   | 12 |
| 6  | PODLAHA A KRYTY REM. - FLOOR AND COVER BELT     | 13 |
| 7  | KAPOTA S PRISLUS. - HOOD WITH ACCESSORIES W2979 | 15 |
| 8  | ZVEDANI ZASOBNIKU - COLLECTOR LIFTING           | 18 |
| 9  | NADRZ KOMPLET - FUEL TANK W2979                 | 22 |
| 10 | SEDADLO W29 - SEAT W29                          | 23 |
| 11 | ZADNI KOLA W29 - REAR WHEEL                     | 25 |
| 12 | ZACI 122 KOMPLET - MOWING DECK 122              | 26 |
| 13 | ZACI 102 KOMPLET - MOWING DECK 102              | 31 |
| 14 | TUNEL W29 - TUNNEL W29                          | 37 |
| 15 | ZASOBNIK W29 - COLLECTOR W29                    | 38 |
| 16 | ELEKTROVYZBROJ - ELECTRICAL SYSTEM W2979        | 39 |
| 17 | SAMOLEPKY - DECALS                              | 41 |



| Po. | Ob.č./No.O | In | Název                     | Description                 | ks |
|-----|------------|----|---------------------------|-----------------------------|----|
| 1   | EB101      |    | ZADNI NAPRAVA OVLADANI    | REAR AXLE CONTROL           | 1  |
| 2   | EB102      |    | RIZENI W29                | STEERING W29                | 1  |
| 3   | EB103      |    | MOTOR A NAHON POJEZDU     | ENGINE AND DRIVE SYSTEM     | 1  |
| 4   | EB104      |    | ZVEDANI SEKACKY W29       | MOWING DECK LIFT SYSTEM W29 | 1  |
| 5   | EB105      |    | PODLAHA A KRYTY REM.      | FLOOR AND COVER BELT        | 1  |
| 6   | EB106      |    | KAPOTA S PRISLUS. W29     | HOOD WITH ACCESSORIES W29   | 1  |
| 7   | EB107      |    | ZVEDANI ZASOBNIKU KOMPLET | COLLECTOR LIFTING           | 1  |
| 8   | EB108      |    | NADRZ KOMPLET             | FUEL TANK                   | 1  |
| 9   | EB109      |    | SEDADLO W29 KOMPLET       | SEAT W29                    | 1  |
| 10  | EB110      |    | ZADNI KOLA W29 KOMPLET    | REAR WHEEL                  | 1  |
| 11  | EB120      |    | ZACI KOMPLET 122          | MOWING DECK 122             | 1  |
| 12  | EB126      |    | ZACI KOMPLET 102          | MOWING DECK 102             | 1  |
| 13  | EB112      |    | TUNEL W29                 | TUNNEL W29                  | 1  |
| 14  | EB113      | -a | ZASOBNIK W29 KOMPLET      | COLLECTOR W29               | 1  |
| 15  | E2136      |    | ELEKTROVYZBROJ W2979 CE   | ELECTRICAL SYSTEM W2979 CE  | 1  |
| 16  | EB118      |    | SAMOLEPKY W29             | DECALS                      | 1  |

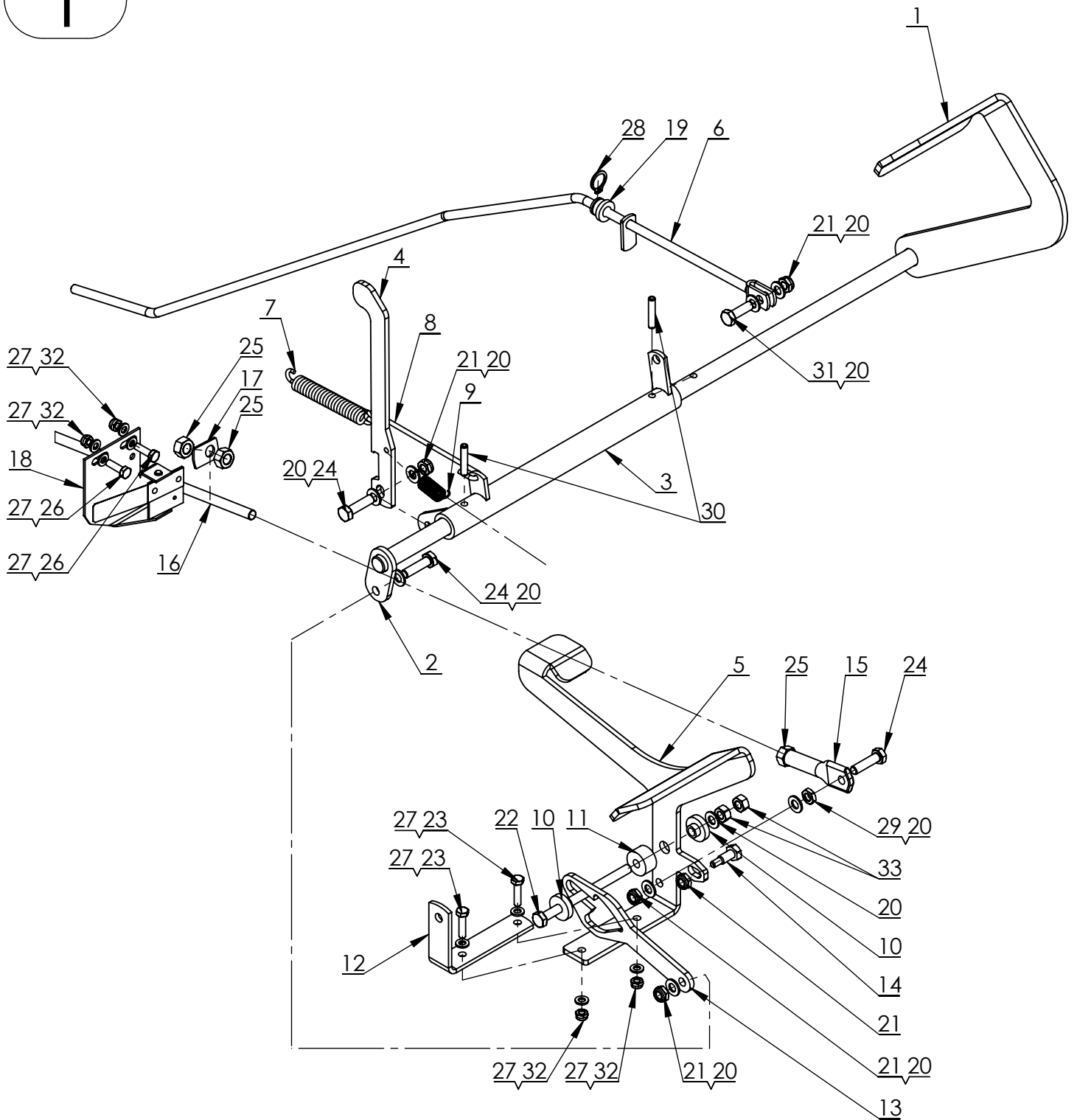
1



**W2979**  
**W2945****EB101****ZADNI NAPRAVA OVLADANI**  
**REAR AXLE CONTROL**

| Po. | Ob.č./No.O | In | Název                  | Description           | ks |
|-----|------------|----|------------------------|-----------------------|----|
| 1   | 180809     |    | NAPRAVA HYDRO-GEAR     | HYDROSTATIC TRANSAXLE | 1  |
| 2   | E7732      |    | DRZAK NAPRAVY          | AXLE HOLDER           | 1  |
| 3   | 066660     |    | SROUB M8X50            | BOLT M8x50            | 2  |
| 4   | 070812     |    | PODLOZKA 8,4           | WASHER 8,4            | 22 |
| 5   | 596142     |    | MATICE M8              | NUT M8                | 12 |
| 6   | E7758      | -a | TAHLO BRZDY            | BRAKE DRAW ROD        | 1  |
| 7   | 018880     |    | PRUZINA 2,5X15X40X10,5 | SPRING 2,5X15X40X10,5 | 1  |
| 8   | E7744      |    | RAMENO BRZDY           | BRAKE ARM             | 1  |
| 9   | 067291     |    | SROUB M8X20            | BOLT M8X20            | 1  |
| 10  | E2130      | -a | TAHLO POJEZDU          | DRIVE DRAW ROD        | 1  |
| 11  | E7742      | -b | RAMENO                 | ARM                   | 1  |
| 12  | 070504     |    | PODLOZKA 10,5          | WASHER 10,5           | 1  |
| 13  | 072711     |    | ZAVLACKA 4x22          | COTTER PIN 4x22       | 1  |
| 14  | EA753      | -a | HRIDEL                 | SHAFT                 | 1  |
| 15  | 628336     |    | KOLIK 6X26             | PIN 6X26              | 1  |
| 16  | EA757      |    | TAHLO POJEZDU ZADNI    | REAR DRIVE DRAW ROD   | 1  |
| 17  | 488324     |    | POJISTNY KROUZEK 6     | RETAINING RING 6      | 1  |
| 18  | 070805     |    | PODLOZKA 6,4           | WASHER 6,4            | 1  |
| 19  | E7754      |    | DRZAK                  | HOLDER                | 1  |
| 20  | E7747      |    | PAKA                   | LEVER                 | 1  |
| 21  | 509954     |    | ZAVLACKA 2x14          | COTTER PIN 2x14       | 2  |
| 22  | E7804      | -a | TYC OVLADANI           | CONTROL ROD           | 1  |
| 23  | 614892     |    | RUKOJET                | HANDLE                | 1  |
| 24  | E7805      |    | TRUBICKA SPOJOVACI     | CONNECTION TUBE       | 1  |
| 25  | 081614     |    | ZAVLACKA PRUZNA        | SPRING COTTER PIN     | 1  |
| 26  | EA979      |    | PODPERA L              | SUPPORT L             | 1  |
| 27  | EA978      |    | PODPERA P              | SUPPORT R             | 1  |
| 28  | 011572     |    | POUZDRO                | BUSHING               | 2  |
| 29  | 070532     |    | PODLOZKA 17            | WASHER 17             | 1  |
| 30  | 465200     |    | POJISTNY KROUZEK 12    | RETAINING RING 12     | 1  |
| 31  | 574146     |    | SROUB M8X75            | BOLT M8X75            | 4  |
| 32  | 596135     |    | SROUB M8X80            | BOLT M8X80            | 4  |
| 33  | 072655     |    | ZAVLACKA 3,2x25        | COTTER PIN 3,2x25     | 1  |

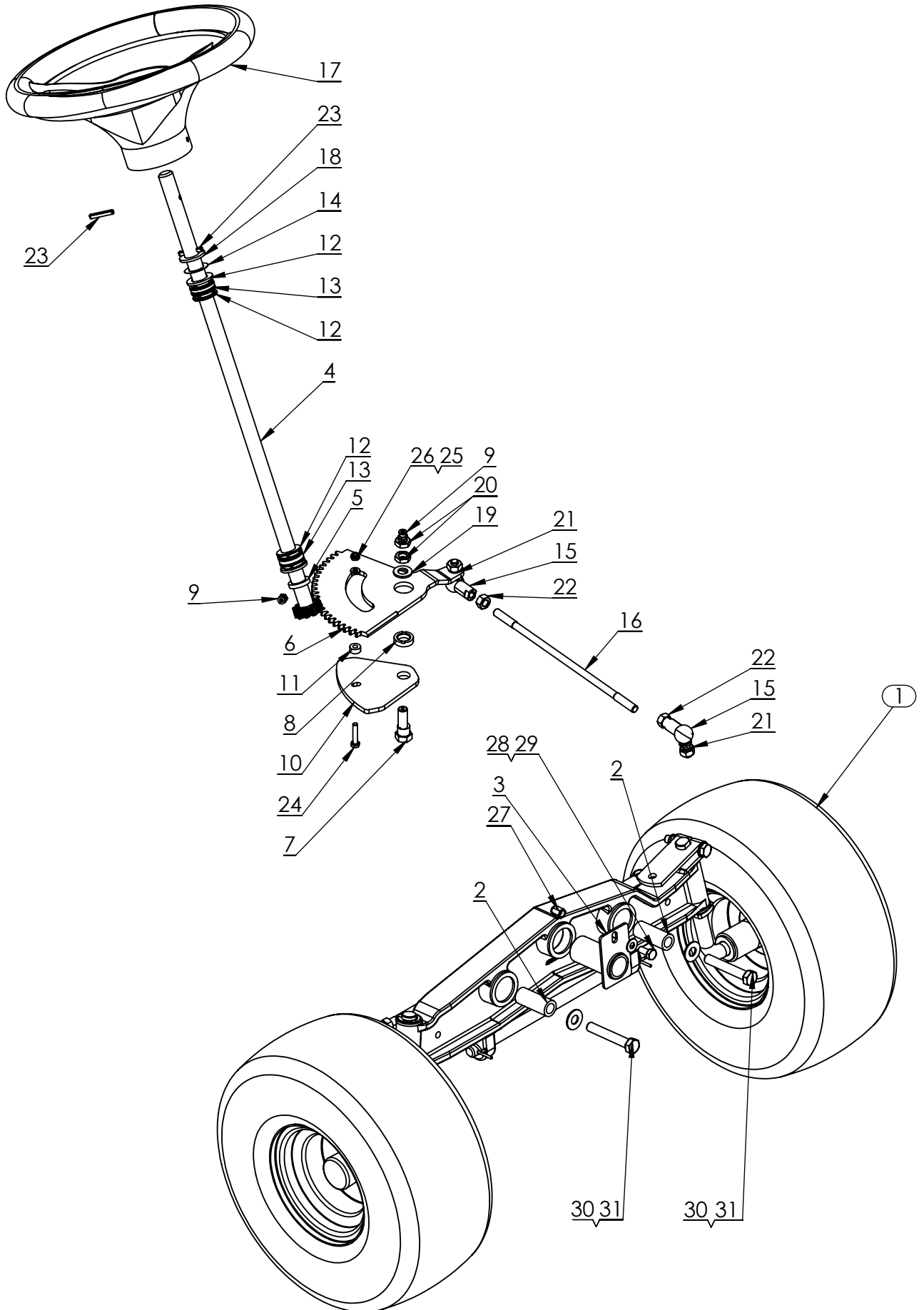
1



**W2979  
W2945****EB101 ZADNI NAPRAVA OVLADANI  
REAR AXLE CONTROL**

| Po. | Ob.č./No.O | In | Název                 | Description                   | ks |
|-----|------------|----|-----------------------|-------------------------------|----|
| 1   | EB060      | -a | PEDAL BRZDY W29       | BRAKE PEDAL W29               | 1  |
| 2   | EB063      | -a | PAKA BRZDY W29        | BRAKE ARM W29                 | 1  |
| 3   | EB065      | -a | SPOJ. TAHLO BRZDY W29 | BRAKE CONNECTION DRAW ROD W29 | 1  |
| 4   | EB069      | -a | ZAPADKA               | RATCHET                       | 1  |
| 5   | EB058      |    | PEDAL POJEZDU         | DRIVE PEDAL                   | 1  |
| 6   | E7758      | -a | TAHLO BRZDY           | BRAKE DRAW ROD                | 1  |
| 7   | 008051     |    | VRATNA PRUZINA BRZDY  | SPRING                        | 1  |
| 8   | E0436      |    | HAK                   | HOOK                          | 1  |
| 9   | 644292     |    | VRATNA PRUZINA        | SPRING                        | 1  |
| 10  | E3317      | -b | PODLOZKA              | WASHER                        | 2  |
| 11  | E0476      | -b | VLOZKA                | BUSHING                       | 1  |
| 12  | E0466      |    | DRZAK                 | HOLDER                        | 1  |
| 13  | EA754      |    | KULISA                | SUPPORT                       | 1  |
| 14  | E0478      |    | PALEC                 | INCH                          | 1  |
| 15  | E3310      |    | TAHLO                 | DRAW ROD                      | 1  |
| 16  | E2130      | -a | TAHLO POJEZDU         | DRIVE DRAW ROD                | 1  |
| 17  | E4131      |    | PATKA                 | SADDLE                        | 1  |
| 18  | E2128      |    | OVLADAC               | CONTROL                       | 1  |
| 19  | E0451      |    | POUZDRO               | BUSHING                       | 1  |
| 20  | 070812     |    | PODLOZKA 8,4          | WASHER 8,4                    | 10 |
| 21  | 596142     |    | MATICE M8             | NUT M8                        | 5  |
| 22  | 048854     |    | SROUB M8X110          | BOLT M8X110                   | 1  |
| 23  | 090384     |    | SROUB M6X25           | BOLT M6 x25                   | 2  |
| 24  | 589782     |    | SROUB M8X30           | BOLT M8X30                    | 3  |
| 25  | 070091     |    | MATICE M10            | NUT M10                       | 3  |
| 26  | 431736     |    | SROUB M6X20           | BOLT M6x20                    | 2  |
| 27  | 070805     |    | PODLOZKA 6,4          | WASHER 6,4                    | 8  |
| 28  | 123300     |    | POJISTNY KROUZEK 16   | RETAINING RING 16             | 1  |
| 29  | 069442     |    | MATICE M8             | NUT M8                        | 1  |
| 30  | 074890     |    | KOLIK 6X32            | PIN 6X32                      | 2  |
| 31  | 067305     |    | SROUB M8X25           | BOLT M8X25                    | 1  |
| 32  | 596275     |    | MATICE M6             | NUT M6                        | 4  |
| 33  | 070084     |    | MATICE M8             | NUT M8                        | 2  |

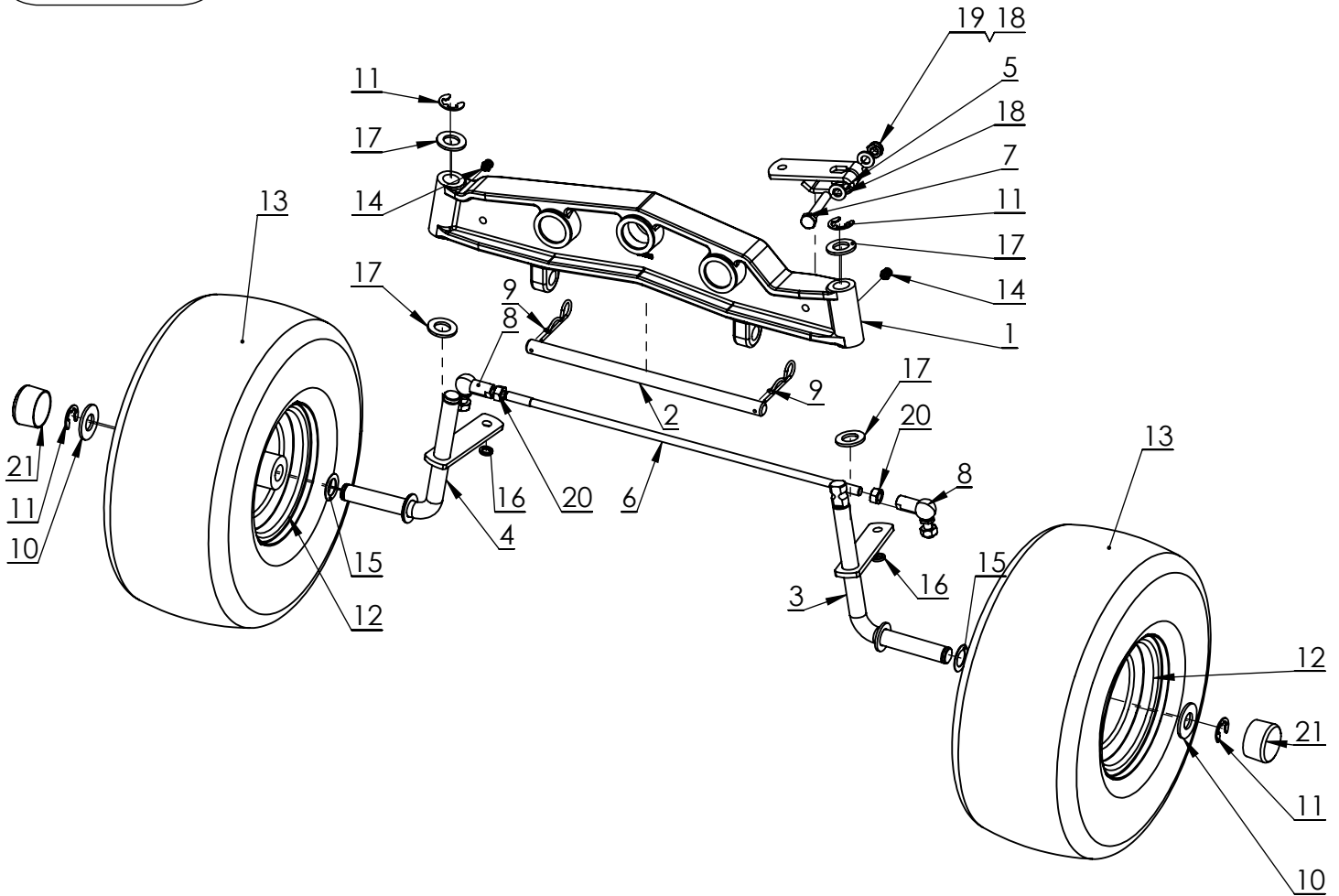
2



**W2979  
W2945****EB102 RIZENI W29  
STEERING W29**

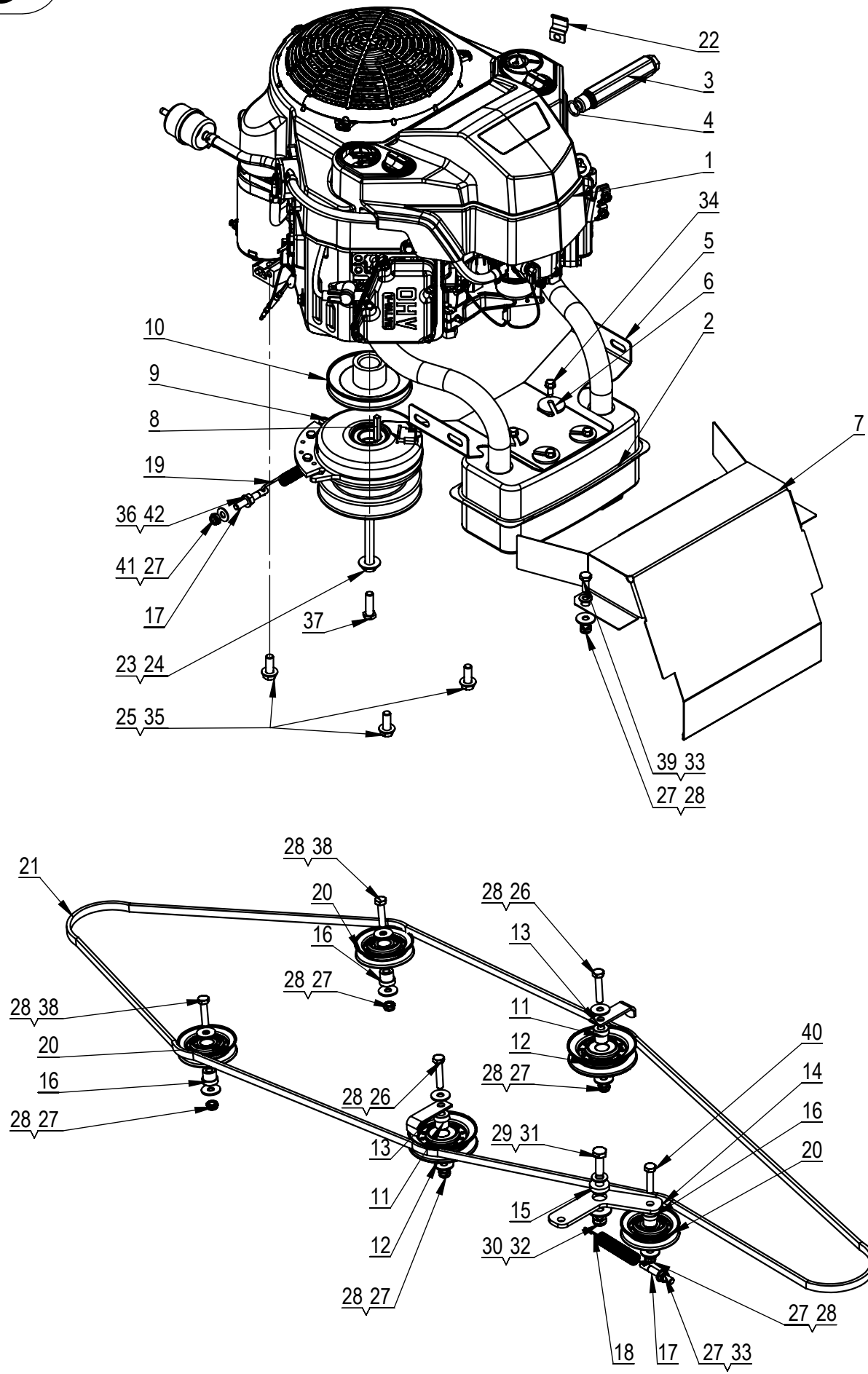
| Po. | Ob.č./No.O | In | Název                    | Description            | ks |
|-----|------------|----|--------------------------|------------------------|----|
| 1   | MS292214   |    | PREDNI NAPRAVA           | FRONT AXLE             | 1  |
| 2   | E5455      |    | ROZPERKA                 | SPACER                 | 2  |
| 3   | E4606      |    | CEP NAPRAVY              | AXLE PIN               | 1  |
| 4   | E5577      |    | PASTOREK UPLNY           | STEERING SHAFT ADAPTER | 1  |
| 5   | E3936      |    | ROZPERKA                 | SPACER                 | 1  |
| 6   | E5607      |    | OZUBENY SEGMENT          | GEAR SEGMENT           | 1  |
| 7   | D4787      |    | EX.CEP                   | ECCENTER PIN           | 1  |
| 8   | D4789      |    | PRSTYNEK                 | RING                   | 1  |
| 9   | 693919     |    | MAZACI HLAVICE PLOCHA M6 | GREASE NIPPLE M6       | 2  |
| 10  | D4786      |    | PODLOZKA                 | WASHER                 | 1  |
| 11  | D4790      |    | TRUBKA                   | PIPE                   | 1  |
| 12  | 022143     |    | POUZDRO                  | BUSHING                | 2  |
| 13  | 006334     |    | KROUZEK 32X24            | RING 32X24             | 2  |
| 14  | D0506      |    | PODLOZKA                 | WASHER                 | 1  |
| 15  | 006572     |    | KULOVY CEP               | BALL JOINT             | 2  |
| 16  | E0347      |    | TAHLO RIZENI             | STEERING DRAW ROD      | 1  |
| 17  | 080234     |    | VOLANT                   | STEERING WHEEL         | 1  |
| 18  | 070546     |    | PODLOZKA 19              | WASHER 19              | 1  |
| 19  | 070511     |    | PODLOZKA 13              | WASHER 13              | 1  |
| 20  | 696731     |    | MATICE M12X1,25          | NUT M12X1,25           | 2  |
| 21  | 071541     |    | PODLOZKA 10              | SPRING WASHER 10       | 2  |
| 22  | 070091     |    | MATICE M10               | NUT M10                | 2  |
| 23  | 074890     |    | KOLIK 6X32               | PIN 6X32               | 2  |
| 24  | 126474     |    | SROUB M6X30              | BOLT M6X30             | 1  |
| 25  | 070805     |    | PODLOZKA 6,4             | WASHER 6,4             | 1  |
| 26  | 596275     |    | MATICE M6                | NUT M6                 | 1  |
| 27  | 021212     |    | NYTOVACI MATICE M8       | RIVET NUT M8           | 1  |
| 28  | 041040     |    | PODLOZKA M8              | WASHER M8              | 1  |
| 29  | 664284     |    | SROUB M8X18              | BOLT M8x18             | 1  |
| 30  | 027776     |    | PODLOZKA M12             | WASHER M12             | 2  |
| 31  | 066821     |    | SROUB M12X75             | BOLT M12X75            | 2  |

2-1



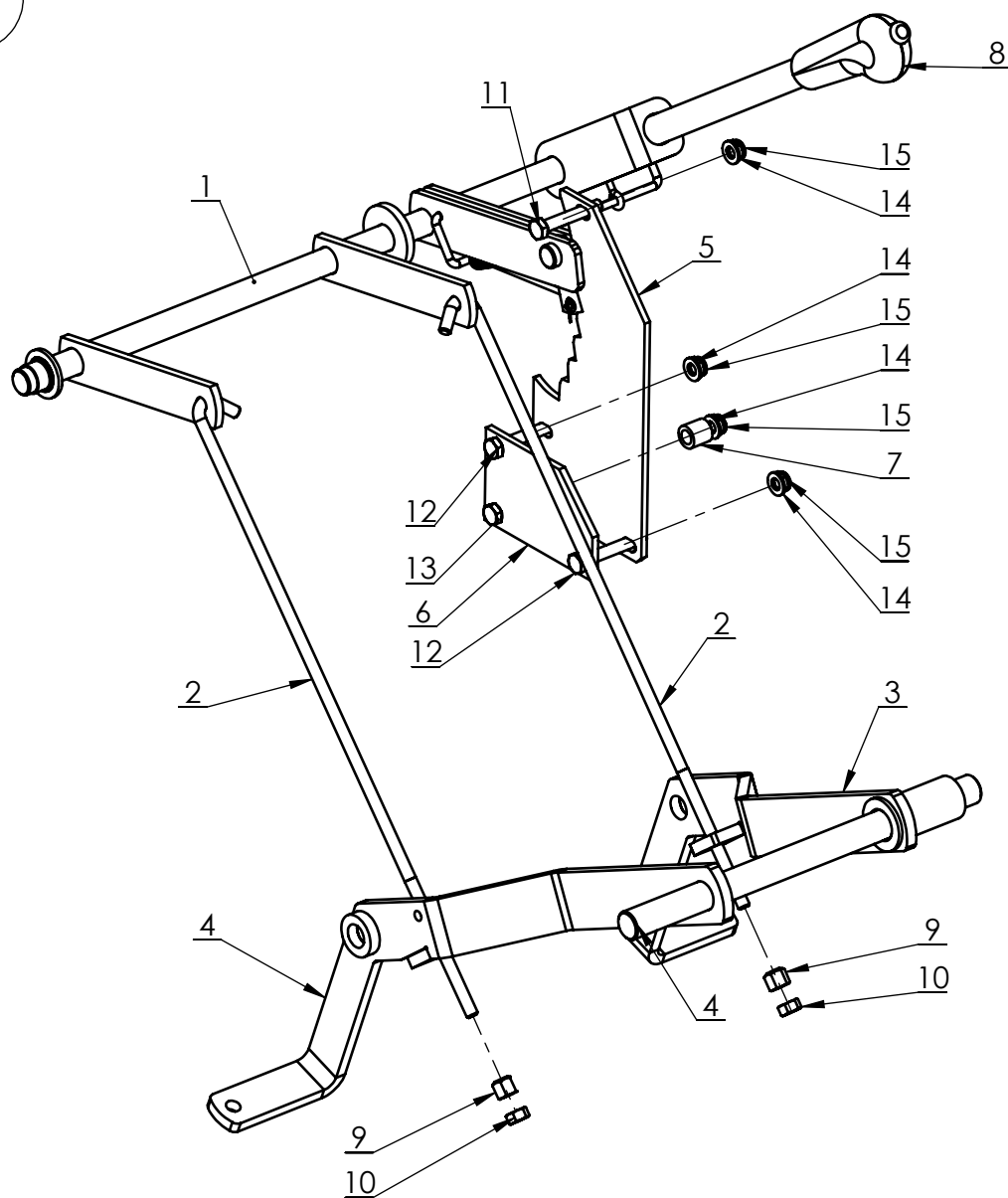
| Po. | Ob.č./No.O | In | Název                     | Description            | ks |
|-----|------------|----|---------------------------|------------------------|----|
| 1   | E0343      | -a | NAPRAVNICE                | FRONT AXLE             | 1  |
| 2   | E0348      |    | CEP                       | PIN                    | 1  |
| 3   | E2921      |    | CEP LEVY                  | LEFT PIN               | 1  |
| 4   | E0339      |    | CEP PRAVY                 | RIGHT PIN              | 1  |
| 5   | D0905      |    | PATKA                     | SADDLE                 | 1  |
| 6   | E0346      |    | SPOJOVACI TAHLO           | CONNECTION DRAW ROD    | 1  |
| 7   | 614941     |    | SROUB M10X60              | BOLT M10X60            | 1  |
| 8   | 006572     |    | KULOVY CEP                | BALL JOINT             | 2  |
| 9   | 081614     |    | ZAVLACKA PRUZNA           | SPRING COTTER PIN      | 2  |
| 10  | EB087      |    | KROUZEK KRYTKY KOLA 42x20 | WHEEL COVER RING 42x20 | 2  |
| 11  | 007252     |    | KROUZEK 15                | RETAINING RING 15      | 4  |
| 12  | 450619     |    | DISK 4,5X6                | DISC 4,5X6             | 2  |
| 13  | 041491     |    | PNEU 15X6                 | PNEU 15X6              | 2  |
| 14  | 693919     |    | MAZACI HLAVICE PLOCHA M6  | GREASE NIPPLE M6       | 2  |
| 15  | D3541      |    | PODLOZKA                  | WASHER                 | 2  |
| 16  | 071541     |    | PODLOZKA 10               | SPRING WASHER 10       | 2  |
| 17  | 070546     |    | PODLOZKA 19               | WASHER 19              | 4  |
| 18  | 070504     |    | PODLOZKA 10,5             | WASHER 10,5            | 2  |
| 19  | 596163     |    | MATICE M10                | NUT M10                | 1  |
| 20  | 070091     |    | MATICE M10                | NUT M10                | 2  |
| 21  | 005696A    |    | KRYTKA                    | COVER                  | 2  |

3



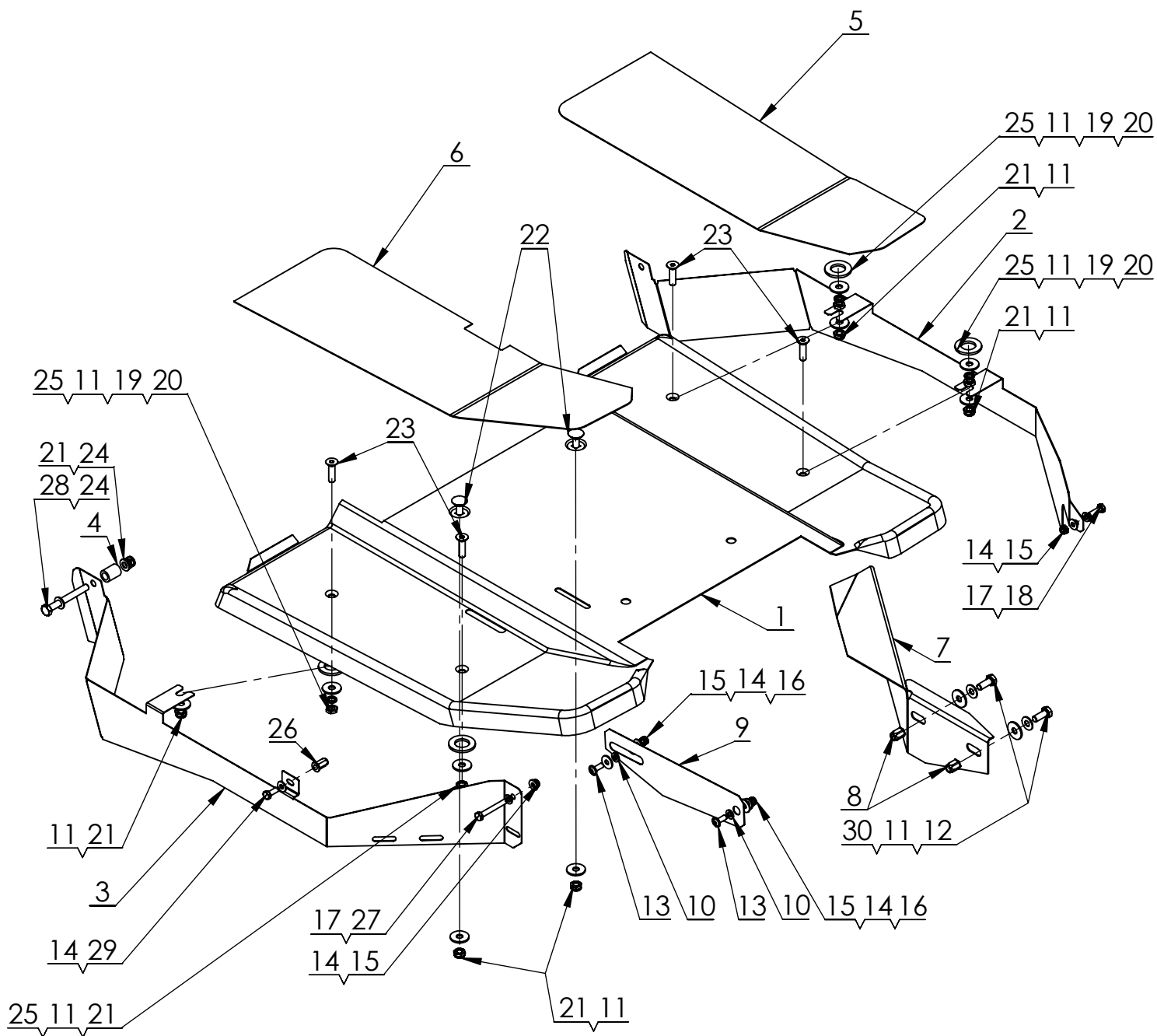
| Po. | Ob.č./No.O | In | Název                            | Description               | ks |
|-----|------------|----|----------------------------------|---------------------------|----|
| 1   | 010113     |    | MOTOR KAWASAKI FS600V            | ENGINE KAWASAKI FS600V    | 1  |
| 2   | E3705      |    | TLUMIC VYFUKU KAW FS600V         | EXHAUST KAW FS600V        | 1  |
| 3   | E9413      | -a | VYPOUSTECI TRUBKA                | DRAIN PIPE                | 1  |
| 4   | 226643     |    | KROUZEK 16x2,5                   | RING                      | 1  |
| 5   | E3765      |    | DRZAK TLUMICE                    | EXHAUST HOLDER            | 1  |
| 6   | D3624      |    | PODLOZKA                         | WASHER                    | 4  |
| 7   | E2188      | -a | KRYT TLUMICE                     | SILENCER COVER            | 1  |
| 8   | D3075      |    | PERO                             | PARALLEL KEY              | 1  |
| 9   | 041254A    |    | ELMAG. SPOJKA                    | ELECTROMEGNETIC CLUTCH    | 1  |
| 10  | E5404      |    | REMENICE MOTORU                  | ENGINE PULLEY             | 1  |
| 11  | EA619      |    | VLOZKA                           | BUSHING                   | 2  |
| 12  | 021010     |    | REMENICE                         | PULLEY                    | 2  |
| 13  | E2985      |    | OPERKA                           | SUPPORT                   | 2  |
| 14  | E7727      |    | NAPINACI RAMENO                  | PULLEY ARM                | 1  |
| 15  | E7729      |    | VLOZKA                           | BUSHING                   | 1  |
| 16  | E3003      | -a | VLOZKA                           | BUSHING                   | 3  |
| 17  | E9036      | -a | TAHLO                            | DRAW ROD                  | 2  |
| 18  | D3178      |    | PRUZINA PLACHTY                  | TARP SPRING               | 1  |
| 19  | E9035      |    | PRUZINA NAPINANI SPOJKY          | CLUTCH TENSION SPRING     | 1  |
| 20  | 021009     |    | REMENICE                         | PULLEY                    | 3  |
| 21  | 011009     |    | REMEN AA116 13X3001              | BELT AA116 13X3001        | 1  |
| 22  | E3813      |    | DRZAK BOWDENU                    | HOLDER                    | 1  |
| 23  | 027776     |    | PODLOZKA M12                     | WASHER M12                | 1  |
| 24  | 041130     |    | SROUB 7/16""-20X3 1/4""          | BOLT 7/16""-20X3 1/4""    | 1  |
| 25  | 024931     |    | PODLOZKA M10                     | WASHER M10                | 3  |
| 26  | 066646     |    | SROUB M8X40                      | BOLT M8x40                | 2  |
| 27  | 596142     |    | MATICE M8                        | NUT M8                    | 9  |
| 28  | 071226     |    | PODLOZKA 8,4                     | WASHER 8,4                | 11 |
| 29  | 070504     |    | PODLOZKA 10,5                    | WASHER 10,5               | 1  |
| 30  | 071233     |    | PODLOZKA 10,5                    | WASHER 10,5               | 1  |
| 31  | 067354     |    | SROUB M10X30                     | BOLT M10X30               | 1  |
| 32  | 596163     |    | MATICE M10                       | NUT M10                   | 1  |
| 33  | 070812     |    | PODLOZKA 8,4                     | WASHER 8,4                | 3  |
| 34  | 041115     |    | SROUB M6X16                      | BOLT M6X16                | 4  |
| 35  | 020113     |    | SROUB 3/8""-16x1 1/4""UNC        | BOLT 3/8""-16x1 1/4""UNC  | 3  |
| 36  | 070084     |    | MATICE M8                        | NUT M8                    | 1  |
| 37  | E3713      |    | SROUB 3/8""x16 UNC 1 1/4""UPRAVA | BOLT 3/8""x16 UNC 1 1/4"" | 1  |
| 38  | 686980     |    | SROUB M8X35                      | BOLT M8X35                | 2  |
| 39  | 067291     |    | SROUB M8X20                      | BOLT M8X20                | 2  |
| 40  | 062953     |    | SROUB M8X35                      | BOLT M8X35                | 1  |
| 41  | 041040     |    | PODLOZKA M8                      | WASHER M8                 | 1  |
| 42  | 070322     |    | PODLOZKA 8,4                     | WASHER 8,4                | 1  |

4



| Po. | Ob.č./No.O | In | Název              | Description       | ks |
|-----|------------|----|--------------------|-------------------|----|
| 1   | EB115      |    | PAKA ZDVIHU ZACIHO | MOWER LIFT LEVER  | 1  |
| 2   | EA995      | -c | TAHLO              | DRAW ROD          | 2  |
| 3   | EA771      | -a | RAMENO L           | LIFT ARM L        | 1  |
| 4   | EA772      |    | RAMENO P           | LIFT ARM R        | 1  |
| 5   | E6058      |    | ROHATKA ZVEDANI    | RATCHET BODY,LIFT | 1  |
| 6   | E6122      |    | VYZTUHA RAMU       | BRACE FRAME       | 1  |
| 7   | E2147      |    | ROZPERKA           | SPACER            | 1  |
| 8   | 008702     |    | RUKOJET            | GRIP              | 1  |
| 9   | 261021     |    | MATICE M8          | NUT M8            | 2  |
| 10  | 070084     |    | MATICE M8          | NUT M8            | 2  |
| 11  | 066660     |    | SROUB M8X50        | BOLT M8x50        | 1  |
| 12  | 066674     |    | SROUB M8X55        | BOLT M8x55        | 2  |
| 13  | 574146     |    | SROUB M8X75        | BOLT M8X75        | 1  |
| 14  | 070812     |    | PODLOZKA 8,4       | WASHER 8,4        | 4  |
| 15  | 596142     |    | MATICE M8          | NUT M8            | 4  |

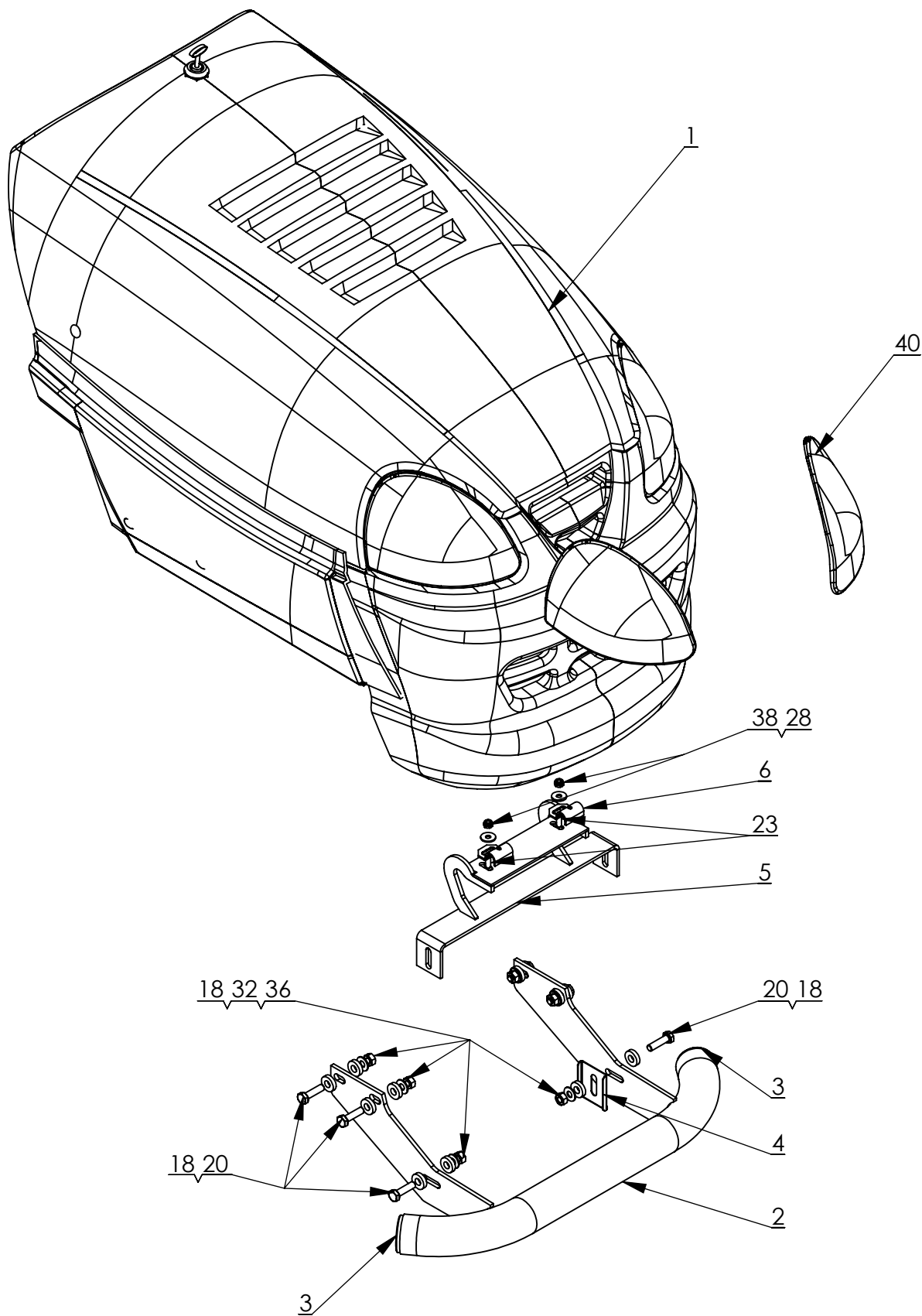
5



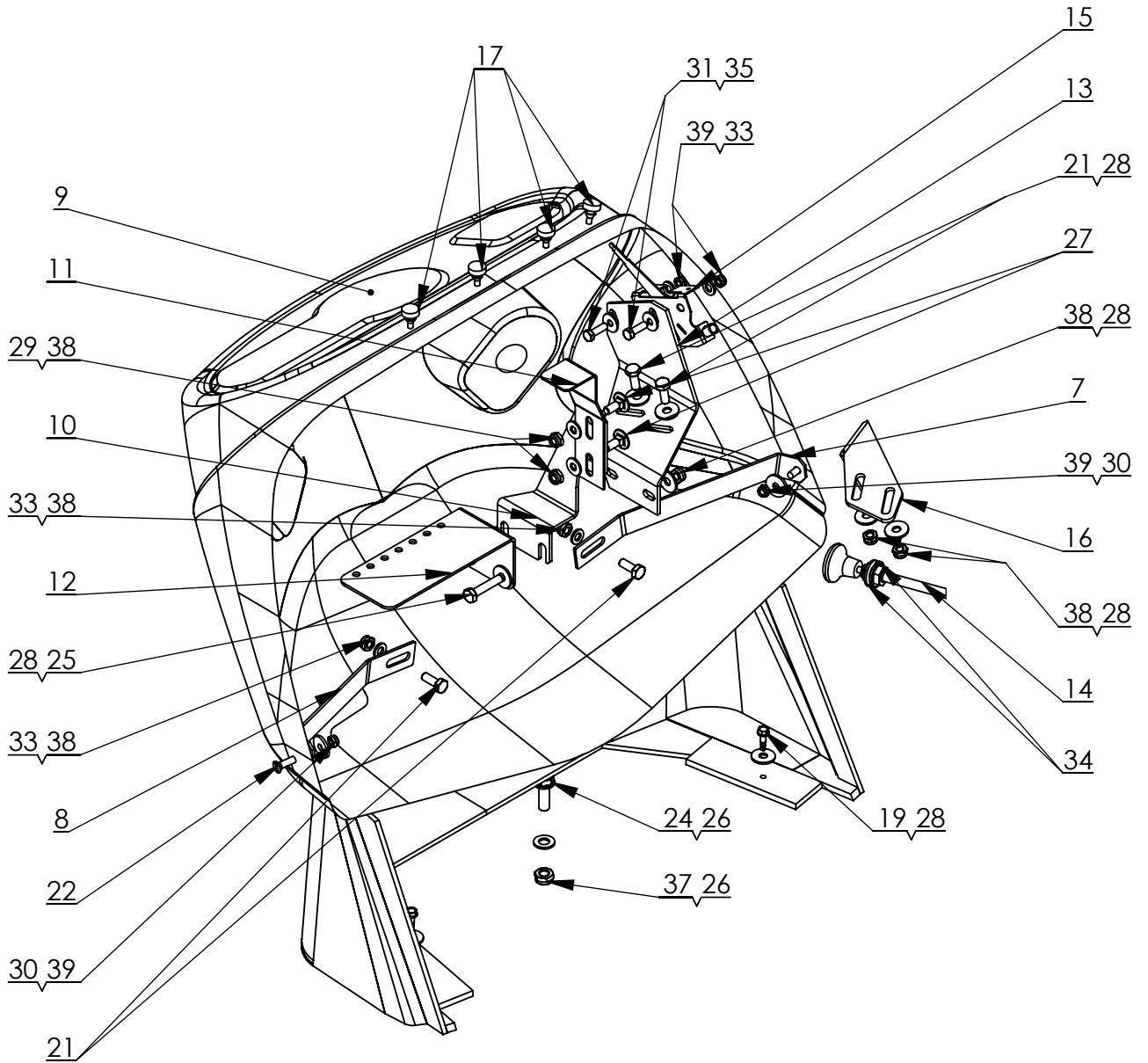
**W2979  
W2945****EB105 PODLAHA A KRYTY REM.  
FLOOR AND COVER BELT**

| Po. | Ob.č./No.O | In | Název                     | Description          | ks |
|-----|------------|----|---------------------------|----------------------|----|
| 1   | E4561      | -a | PODLAHA                   | FLOOR                | 1  |
| 2   | EA779      |    | KRYT REMENU POJEZDU L     | COVER BELT L         | 1  |
| 3   | EA780      |    | KRYT REMENU POJEZDU P     | COVER BELT R         | 1  |
| 4   | E2148      |    | ROZPERKA                  | SPACER               | 1  |
| 5   | E0139      |    | PROTISKLUZOVY POTAH LEVY  | ANTI-SKID MATT LEFT  | 1  |
| 6   | E0140      |    | PROTISKLUZOVY POTAH PRAVY | ANTI-SKID MATT RIGHT | 1  |
| 7   | E4408      |    | KRYT REMENE               | COVER BELT           | 1  |
| 8   | 021212     |    | NYTOVACI MATICE M8        | RIVET NUT M8         | 2  |
| 9   | E2034      |    | KRYT                      | COVER                | 1  |
| 10  | E1797      |    | POUZDRO KRYTU             | COVER CASE           | 2  |
| 11  | 071226     |    | PODLOZKA 8,4              | WASHER 8,4           | 11 |
| 12  | 067291     |    | SROUB M8X20               | BOLT M8X20           | 2  |
| 13  | 191009     |    | SROUB M6X16               | BOLT M6X16           | 2  |
| 14  | 041783     |    | PODLOZKA M6               | WASHER M6            | 5  |
| 15  | 596275     |    | MATICE M6                 | NUT M6               | 4  |
| 16  | 071212     |    | PODLOZKA 6,4              | WASHER 6,4           | 3  |
| 17  | 070805     |    | PODLOZKA 6,4              | WASHER 6,4           | 2  |
| 18  | 431736     |    | SROUB M6X20               | BOLT M6x20           | 1  |
| 19  | 276721     |    | PODLOZKA 8                | SPRING WASHER 8      | 3  |
| 20  | 069442     |    | MATICE M8                 | NUT M8               | 3  |
| 21  | 596142     |    | MATICE M8                 | NUT M8               | 7  |
| 22  | 061244     |    | SROUB M8X20               | BOLT M8x20           | 2  |
| 23  | 141020     |    | SROUB M8X30               | BOLT M8X30           | 4  |
| 24  | 070812     |    | PODLOZKA 8,4              | WASHER 8,4           | 2  |
| 25  | 070546     |    | PODLOZKA 19               | WASHER 19            | 4  |
| 26  | 386817     |    | NYTOVACI MATICE M6        | RIVET NUT M6         | 1  |
| 27  | 293973     |    | SROUB M6X45               | BOLT M6X45           | 1  |
| 28  | 120784     |    | SROUB M8X70               | BOLT M8x70           | 1  |
| 29  | 067242     |    | SROUB M6X16               | BOLT M6x16           | 1  |
| 30  | 041040     |    | PODLOZKA M8               | WASHER M8            | 2  |

6



6



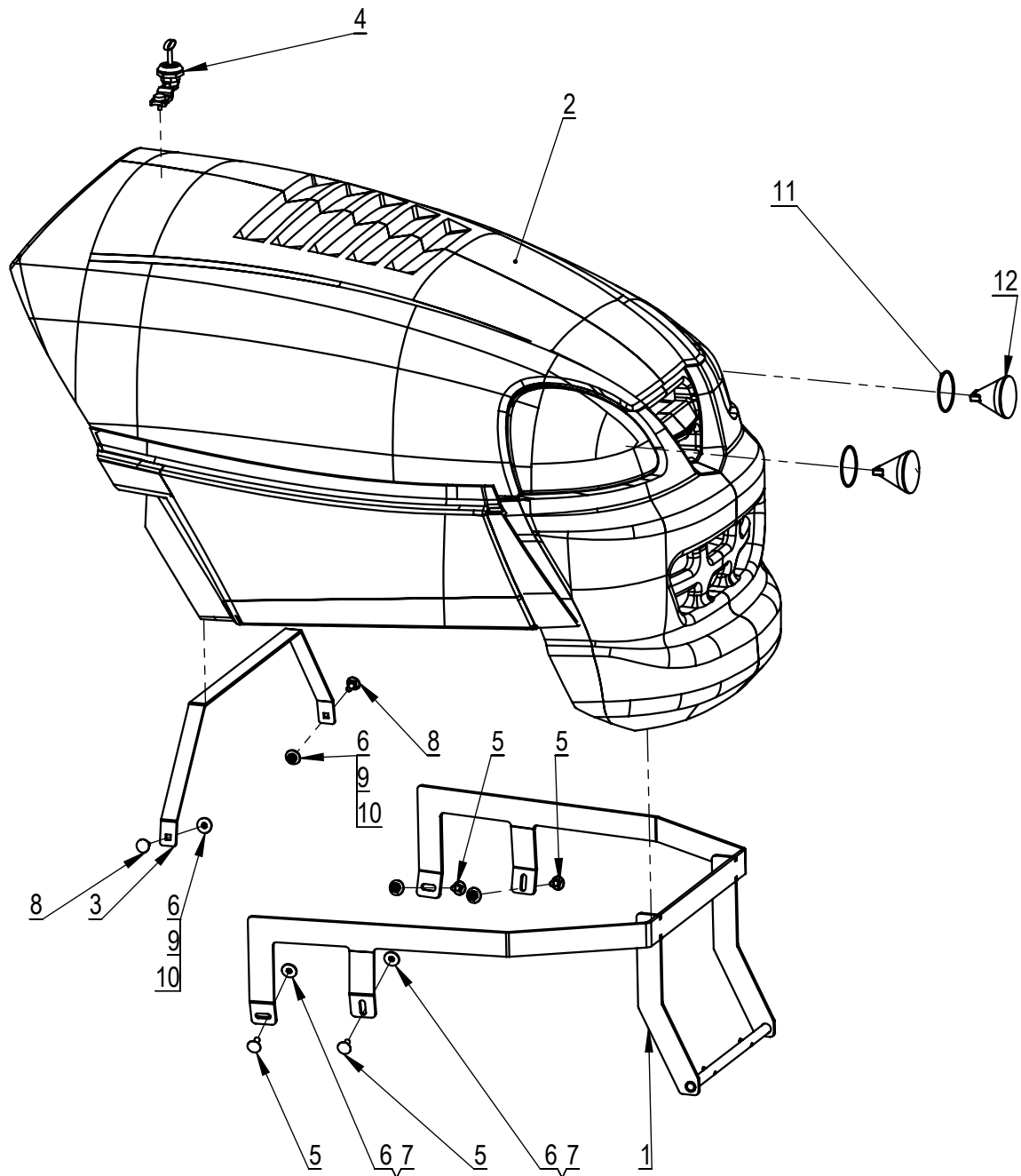
**W2979****EB106****KAPOTA S PRISLUS. W29  
HOOD WITH ACCESSORIES W29**

| Po. | Ob.č./No.O | In | Název                | Description          | ks |
|-----|------------|----|----------------------|----------------------|----|
| 1   | EB116      |    | KAPOTA KOMPLET W29   | HOOD COMPLETE W29    | 1  |
| 2   | E6291      |    | NARAZNIK             | BUMPER               | 1  |
| 3   | 040955     |    | ZATKA                | PLUG                 | 2  |
| 4   | E4295      |    | ZARAZKA              | STOPPER              | 1  |
| 5   | E4392      |    | ZAKLADNA             | BASE                 | 1  |
| 6   | E4377      |    | PRICHYTKA            | CLIP                 | 2  |
| 7   | E4381      |    | DRZAK LEVY           | HOLDER L             | 1  |
| 8   | E4382      |    | DRZAK PRAVY          | HOLDER R             | 1  |
| 9   | 100113     |    | PANEL KOMPLETNI      | PANEL COMPLETE       | 1  |
| 10  | EA003      |    | VZPERA ZAMKU         | LOCK HOLDER          | 1  |
| 11  | E2361      |    | DORAZ                | BUMPER               | 1  |
| 12  | E4575      | -a | DRZAK                | HOLDER               | 1  |
| 13  | E4574      |    | DRZAK PLYNU          | THROTTLE HOLDER      | 1  |
| 14  | E3814      |    | OVLADAC SYTICE W2979 | CHOKE LEVER W2979    | 1  |
| 15  | E3732      |    | OVLADAC PLYNU        | THROTTLE CONTROL     | 1  |
| 16  | E5493      |    | DRZAK SYTICE W29     | CHOKE HOLDER         | 1  |
| 17  | 281108     |    | PRYZOVY DORAZ        | RUBBER BUMPER        | 4  |
| 18  | D0676      |    | ROZPERKA             | SPACER               | 12 |
| 19  | 250609     |    | SROUB 4,2X16         | BOLT 4,2x16          | 2  |
| 20  | 067312     |    | SROUB M8X30          | BOLT M8X30           | 6  |
| 21  | 067242     |    | SROUB M6X16          | BOLT M6x16           | 4  |
| 22  | 065063     |    | SROUB M5X16          | BOLT M5X16           | 2  |
| 23  | 077042     |    | SROUB M6X20          | BOLT M6X20           | 2  |
| 24  | 067305     |    | SROUB M8X25          | BOLT M8X25           | 2  |
| 25  | 126474     |    | SROUB M6X30          | BOLT M6X30           | 2  |
| 26  | 070812     |    | PODLOZKA 8,4         | WASHER 8,4           | 4  |
| 27  | 509933     |    | SROUB M6X16          | BOLT M6X16           | 2  |
| 28  | 071212     |    | PODLOZKA 6,4         | WASHER 6,4           | 12 |
| 29  | 041783     |    | PODLOZKA M6          | WASHER M6            | 2  |
| 30  | 071135     |    | PODLOZKA 5,5         | WASHER 5,5           | 2  |
| 31  | 580792     |    | SROUB M5X16          | BOLT M5X16           | 2  |
| 32  | 041040     |    | PODLOZKA M8          | WASHER M8            | 6  |
| 33  | 070805     |    | PODLOZKA 6,4         | WASHER 6,4           | 4  |
| 34  | 024931     |    | PODLOZKA M10         | WASHER M10           | 2  |
| 35  | 071205     |    | PODLOZKA 5,3         | WASHER 5,3           | 2  |
| 36  | 070084     |    | MATICE M8            | NUT M8               | 6  |
| 37  | 596142     |    | MATICE M8            | NUT M8               | 2  |
| 38  | 596275     |    | MATICE M6            | NUT M6               | 10 |
| 39  | 111545     |    | MATICE M5            | NUT M5               | 4  |
| 40  | E4423-a    |    | SADA SKLICEK L+P     | LIGHT BULB COVER SET | 1  |

W2979

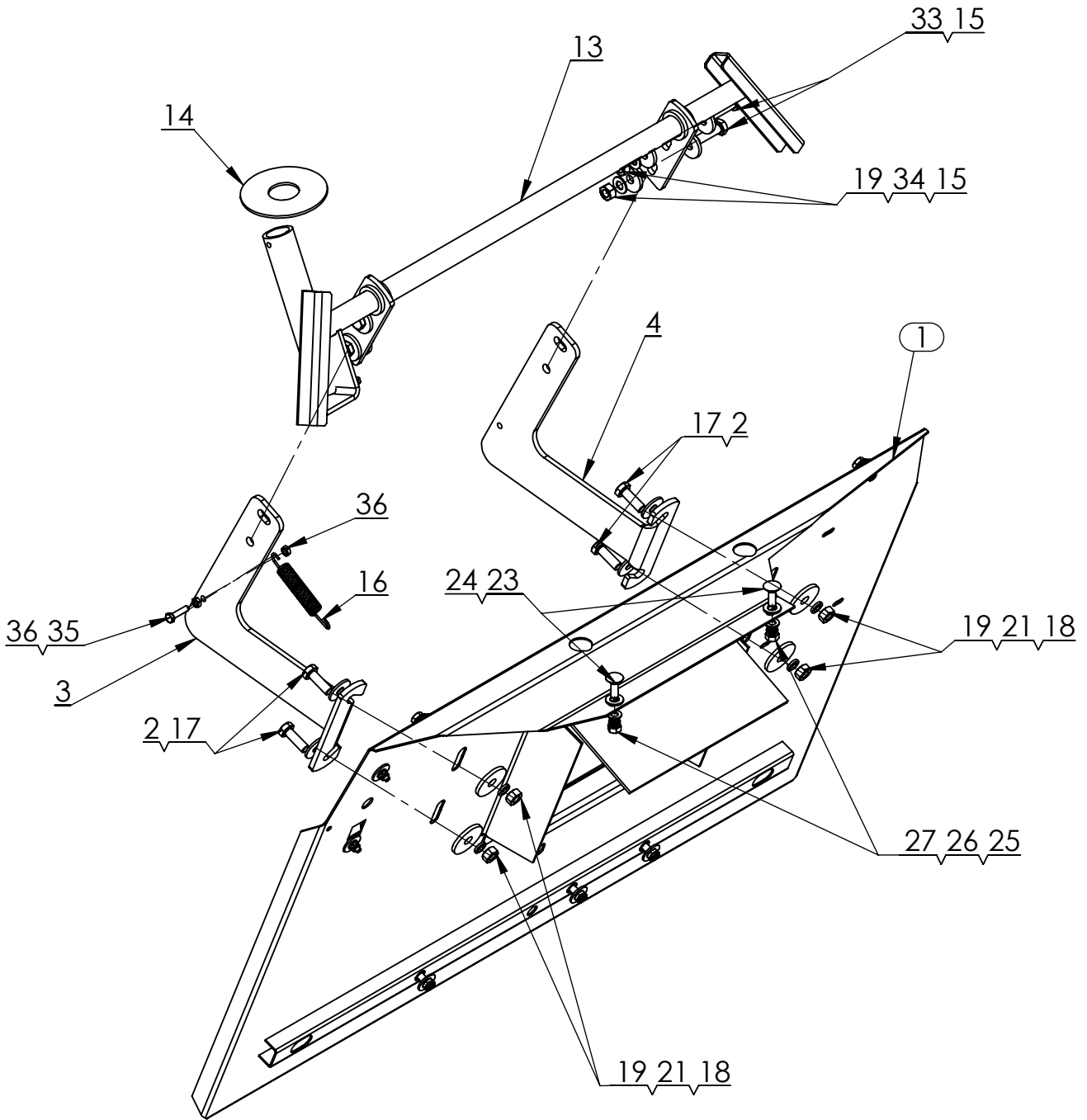
EB116

KAPOTA KOMPLET W29  
HOOD COMPLETE W29

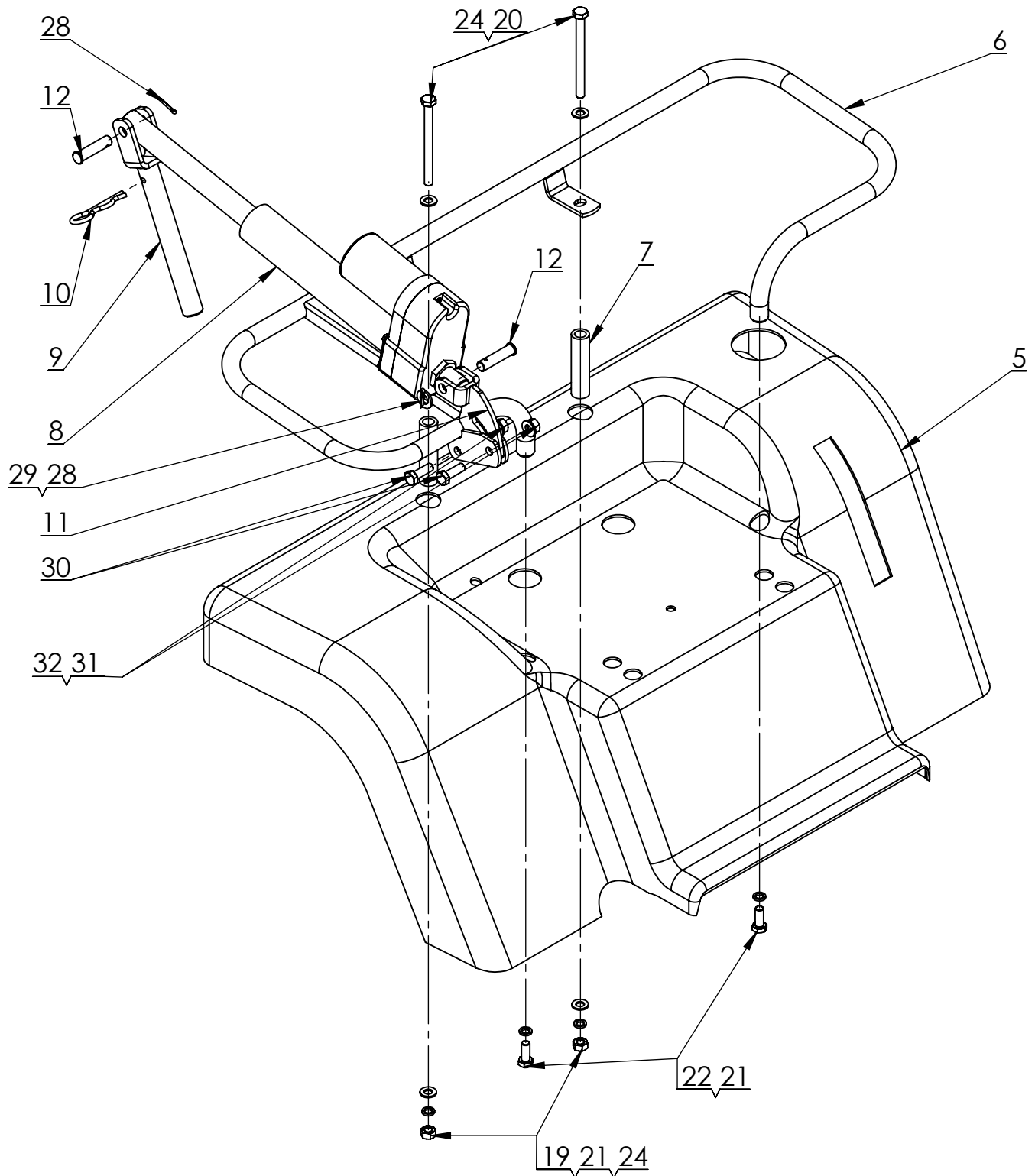
**WISCONSIN  
ENGINEERING**


| Po. | Ob.č./No.O | In | Název             | Description           | ks |
|-----|------------|----|-------------------|-----------------------|----|
| 1   | EB034      |    | RÁM KAPOTY W29 SV | HOOD FRAME            | 1  |
| 2   | 061006     |    | KAPOTA S PRISLUS. | HOOD WITH ACCESSORIES | 1  |
| 3   | EA760      |    | VYZTUHA KAPOTY    | HOOD SUPPORT          | 1  |
| 4   | E2193      |    | ZAMEK KAPOTY      | HOOD LOCK             | 1  |
| 5   | 270809     |    | SROUB M6X16       | BOLT M6x16            | 4  |
| 6   | 071212     |    | PODLOZKA 6,4      | WASHER 6,4            | 6  |
| 7   | 596275     |    | MATICE M6         | NUT M6                | 4  |
| 8   | 509933     |    | SROUB M6X16       | BOLT M6X16            | 2  |
| 9   | 590025     |    | MATICE M6         | NUT M6                | 2  |
| 10  | 276700     |    | PODLOZKA 6        | WASHER 6              | 2  |
| 11  | 050351     |    | O-KROUZEK 45x2    | O-RING                | 2  |
| 12  | 190410     |    | LED ZAROVKA       | LED BULB              | 2  |

7



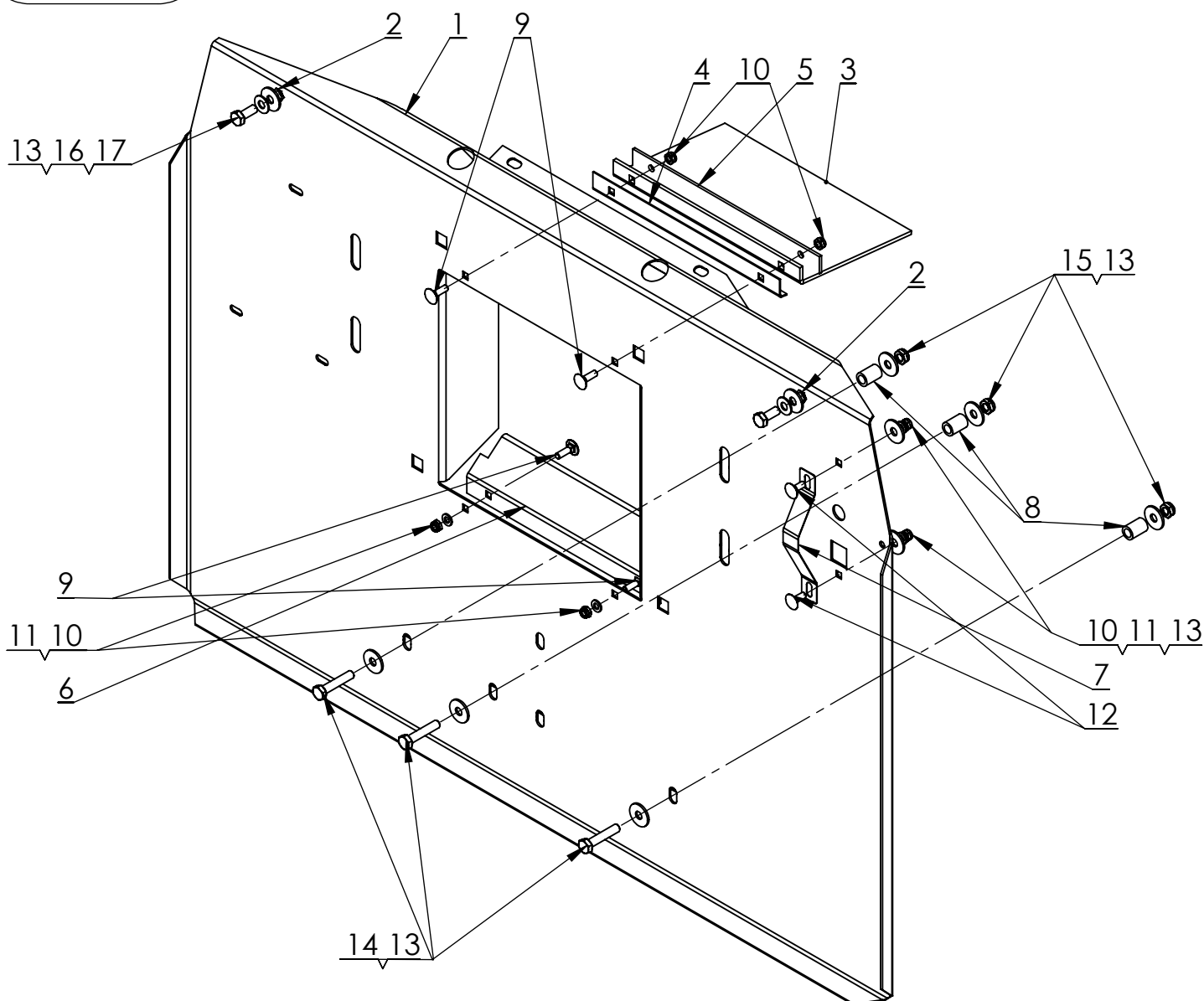
7



**W2979  
W2945****EB107 ZVEDANI ZASOBNIKU KOMPLET  
COLLECTOR LIFTING**

| Po. | Ob.č./No.O | In | Název                   | Description             | ks |
|-----|------------|----|-------------------------|-------------------------|----|
| 1   | EB117      |    | DESKA ZADNI W29         | REAR PLATE W29          | 1  |
| 2   | 071233     |    | PODLOZKA 10,5           | WASHER 10,5             | 4  |
| 3   | EA765      |    | DRZAK ZASOBNIKU P       | BAG SUPPORT R           | 1  |
| 4   | EA764      |    | DRZAK ZASOBNIKU L       | BAG SUPPORT L           | 1  |
| 5   | 300715     |    | BLATNIK W29             | FENDER W29              | 1  |
| 6   | E7239      |    | MADLO                   | GRAB BAR                | 1  |
| 7   | E7262      |    | DISTANCNI TRUBKA        | SPACER                  | 2  |
| 8   | 026151     |    | POHON ZVEDANI ZASOBNIKU | COLLECTOR LIFTING DRIVE | 1  |
| 9   | E7259      |    | VIDLICE                 | FORK                    | 1  |
| 10  | 081684     |    | ZAVLACKA PRUZNA         | SPRING COTTER PIN       | 1  |
| 11  | E7234      |    | DRZAK                   | ACTUATOR BRACKET        | 1  |
| 12  | E7263      |    | CEP                     | SHAFT                   | 2  |
| 13  | E7258      | -a | ZAVES ZASOBNIKU         | COLLECTOR HANG          | 1  |
| 14  | E7267      |    | TESNENI VIKA PRYZ       | RUBBER GASKET           | 1  |
| 15  | E9047      |    | PODLOZKA 32x10,5x4      | WASHER                  | 8  |
| 16  | D3178      |    | PRUZINA PLACHTY         | TARP SPRING             | 1  |
| 17  | 067354     |    | SROUB M10X30            | BOLT M10X30             | 4  |
| 18  | E3019      |    | PODLOZKA                | WASHER                  | 4  |
| 19  | 070091     |    | MATICE M10              | NUT M10                 | 10 |
| 20  | 678071     |    | SROUB M10X120           | BOLT M10X120            | 2  |
| 21  | 071541     |    | PODLOZKA 10             | SPRING WASHER 10        | 8  |
| 22  | 067340     |    | SROUB M10X25            | BOLT M10X25             | 2  |
| 23  | 061251     |    | SROUB M8X25             | BOLT M8X25              | 2  |
| 24  | 070504     |    | PODLOZKA 10,5           | WASHER 10,5             | 6  |
| 25  | 070812     |    | PODLOZKA 8,4            | WASHER 8,4              | 2  |
| 26  | 276721     |    | PODLOZKA 8              | SPRING WASHER 8         | 2  |
| 27  | 070084     |    | MATICE M8               | NUT M8                  | 2  |
| 28  | 072641     |    | ZAVLACKA 3,2X20         | COTTER PIN 3,2X20       | 2  |
| 29  | 070511     |    | PODLOZKA 13             | WASHER 13               | 1  |
| 30  | 151212     |    | SROUB M10X1X30          | BOLT M10x1x30           | 2  |
| 31  | 161212     |    | MATICE M10X1            | NUT M10x1               | 2  |
| 32  | 290507     |    | PODLOZKA 10 NORD-LOCK   | WASHER 10 NORD-LOCK     | 2  |
| 33  | 066723     |    | SROUB M10X35            | BOLT M10x35             | 4  |
| 34  | 024931     |    | PODLOZKA M10            | WASHER M10              | 4  |
| 35  | 090384     |    | SROUB M6X25             | BOLT M6 x25             | 1  |
| 36  | 590025     |    | MATICE M6               | NUT M6                  | 2  |

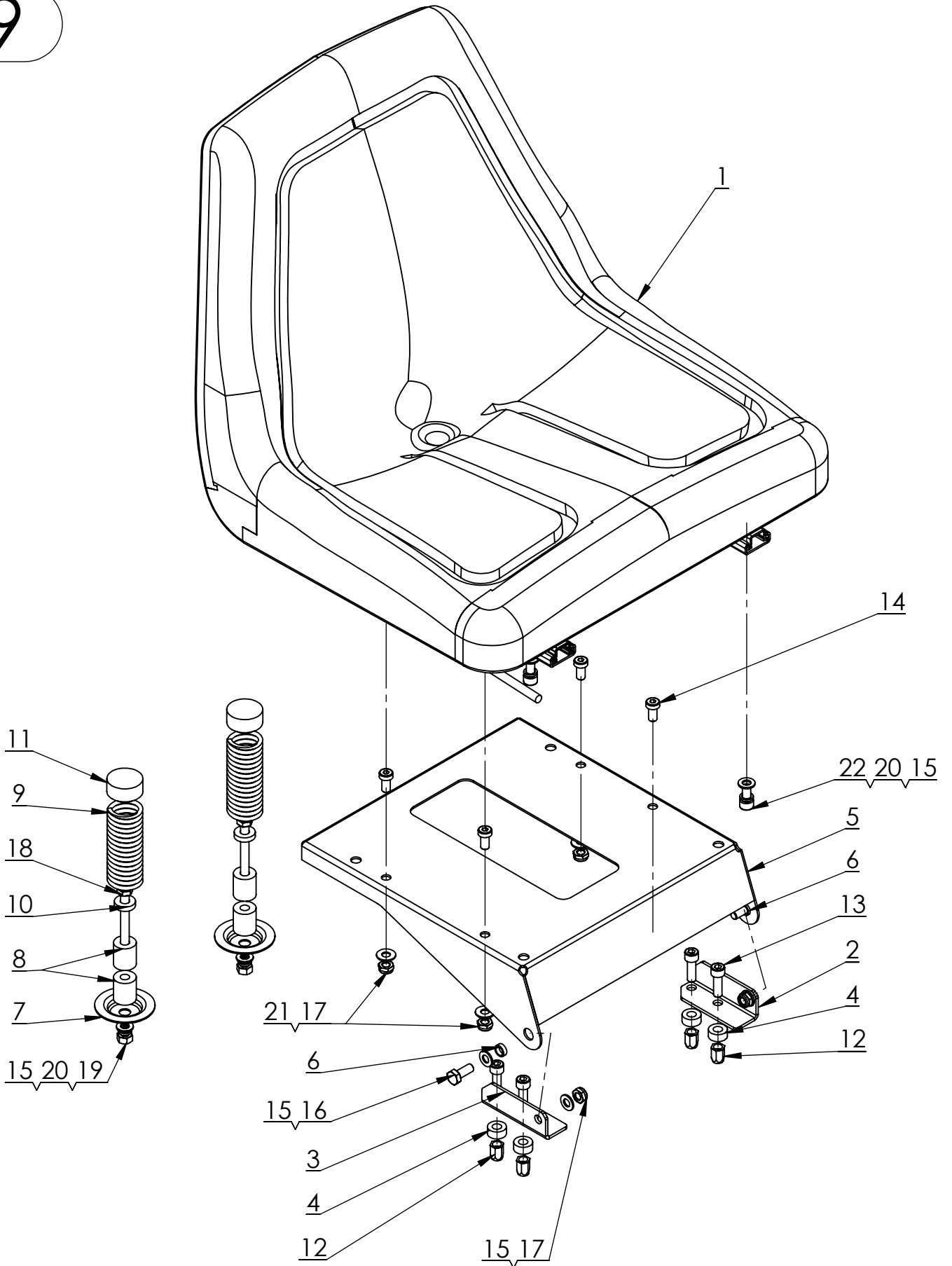
7-1



| Po. | Ob.č./No.O | In | Název              | Description  | ks |
|-----|------------|----|--------------------|--------------|----|
| 1   | E7725      | -b | DESKA ZADNI        | REAR PLATE   | 1  |
| 2   | 021212     |    | NYTOVACI MATICE M8 | RIVET NUT M8 | 2  |
| 3   | E7811      |    | CLONA              | APERTURE     | 1  |
| 4   | E7813      |    | OPERA              | ARMREST      | 1  |
| 5   | E7812      |    | PRILOZKA           | HOLDER       | 1  |
| 6   | E7756      |    | KLUZAK             | SLIDE PLATE  | 1  |
| 7   | E4057      |    | PRUZINA            | SPRING PLATE | 1  |
| 8   | Y0203      |    | ROZPERKA L=20 ZINK | SPACER       | 3  |
| 9   | 077042     |    | SROUB M6X20        | BOLT M6X20   | 4  |
| 10  | 596275     |    | MATICE M6          | NUT M6       | 6  |
| 11  | 070805     |    | PODLOZKA 6,4       | WASHER 6,4   | 4  |
| 12  | 509933     |    | SROUB M6X16        | BOLT M6X16   | 2  |
| 13  | 071226     |    | PODLOZKA 8,4       | WASHER 8,4   | 10 |
| 14  | 066646     |    | SROUB M8X40        | BOLT M8x40   | 3  |
| 15  | 596142     |    | MATICE M8          | NUT M8       | 3  |
| 16  | 041040     |    | PODLOZKA M8        | WASHER M8    | 2  |
| 17  | 067291     |    | SROUB M8X20        | BOLT M8X20   | 2  |



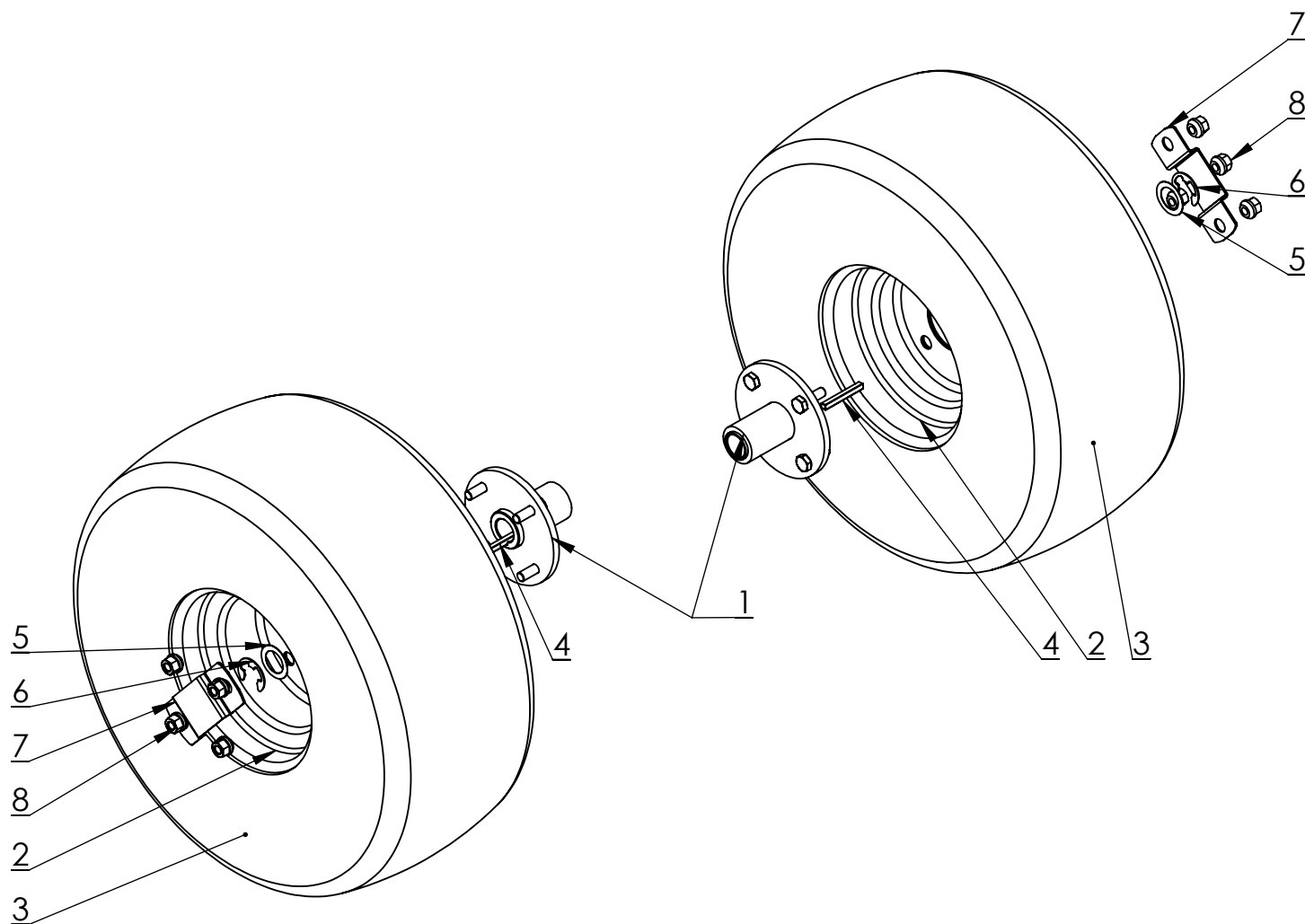
9



**W2979  
W2945****EB109 SEDADLO W29 KOMPLET  
SEAT W29**

| Po. | Ob.č./No.O | In | Název              | Description     | ks |
|-----|------------|----|--------------------|-----------------|----|
| 1   | 009760     |    | SEDADLO RM1600     | SEAT            | 1  |
| 2   | E0023      |    | KONZOLA LEVA       | SEAT CONSOLE L  | 1  |
| 3   | E0022      |    | KONZOLA PRAVA      | SEAT CONSOLE R  | 1  |
| 4   | E0026      |    | PODLOZKA           | SPACER          | 4  |
| 5   | E4394      | -a | NOSIC SEDACKY      | SEAT BRACKET    | 1  |
| 6   | Y0414      |    | ROZPERKA           | SPACER          | 2  |
| 7   | E0025      |    | MISKA              | BOWL            | 2  |
| 8   | 008156     |    | VALECEK            | ROLLER          | 4  |
| 9   | 022346     |    | PRUZINA SEDACKY    | SEAT SPRING     | 2  |
| 10  | D0676      |    | ROZPERKA           | SPACER          | 2  |
| 11  | 008170     |    | VICKO              | CAP             | 2  |
| 12  | 021212     |    | NYTOVACI MATICE M8 | RIVET NUT M8    | 4  |
| 13  | 068090     |    | SROUB M8X25        | BOLT M8 x25     | 4  |
| 14  | 160607     |    | SROUB M8X16        | BOLT M8X16      | 4  |
| 15  | 070812     |    | PODLOZKA 8,4       | WASHER 8,4      | 8  |
| 16  | 067291     |    | SROUB M8X20        | BOLT M8X20      | 2  |
| 17  | 596142     |    | MATICE M8          | NUT M8          | 6  |
| 18  | 120784     |    | SROUB M8X70        | BOLT M8x70      | 2  |
| 19  | 070084     |    | MATICE M8          | NUT M8          | 2  |
| 20  | 276721     |    | PODLOZKA 8         | SPRING WASHER 8 | 4  |
| 21  | 041040     |    | PODLOZKA M8        | WASHER M8       | 4  |
| 22  | 068076     |    | SROUB M8X16        | BOLT M8X16      | 2  |

10



| Po. | Ob.č./No.O | In | Název                          | Description         | ks |
|-----|------------|----|--------------------------------|---------------------|----|
| 1   | EB031      |    | NABOJ ZADNIHO KOLA             | REAR WHEEL HUB      | 2  |
| 2   | 041398A    |    | DISK 7.00X8                    | WHEEL RIM 7.00X8    | 2  |
| 3   | 269024     |    | PNEU 20X10-8 4PR KINGS TIRE    | TIRE 20X10-8 4PR    | 2  |
| 4   | E7814      |    | PERO                           | SQUARE KEY          | 2  |
| 5   | E7815      |    | PODLOZKA                       | WASHER              | 2  |
| 6   | 151009     |    | TRMENOVIY KROUZEK 1"CSS E-Clip | E-CLIP              | 2  |
| 7   | EB022      |    | FIXACE ZADNIHO KOLA            | REAR WHEEL FIXATION | 2  |
| 8   | 301121     |    | MATICE KOLOVA M10x1,25         | WHEEL NUT M10x1,25  | 8  |

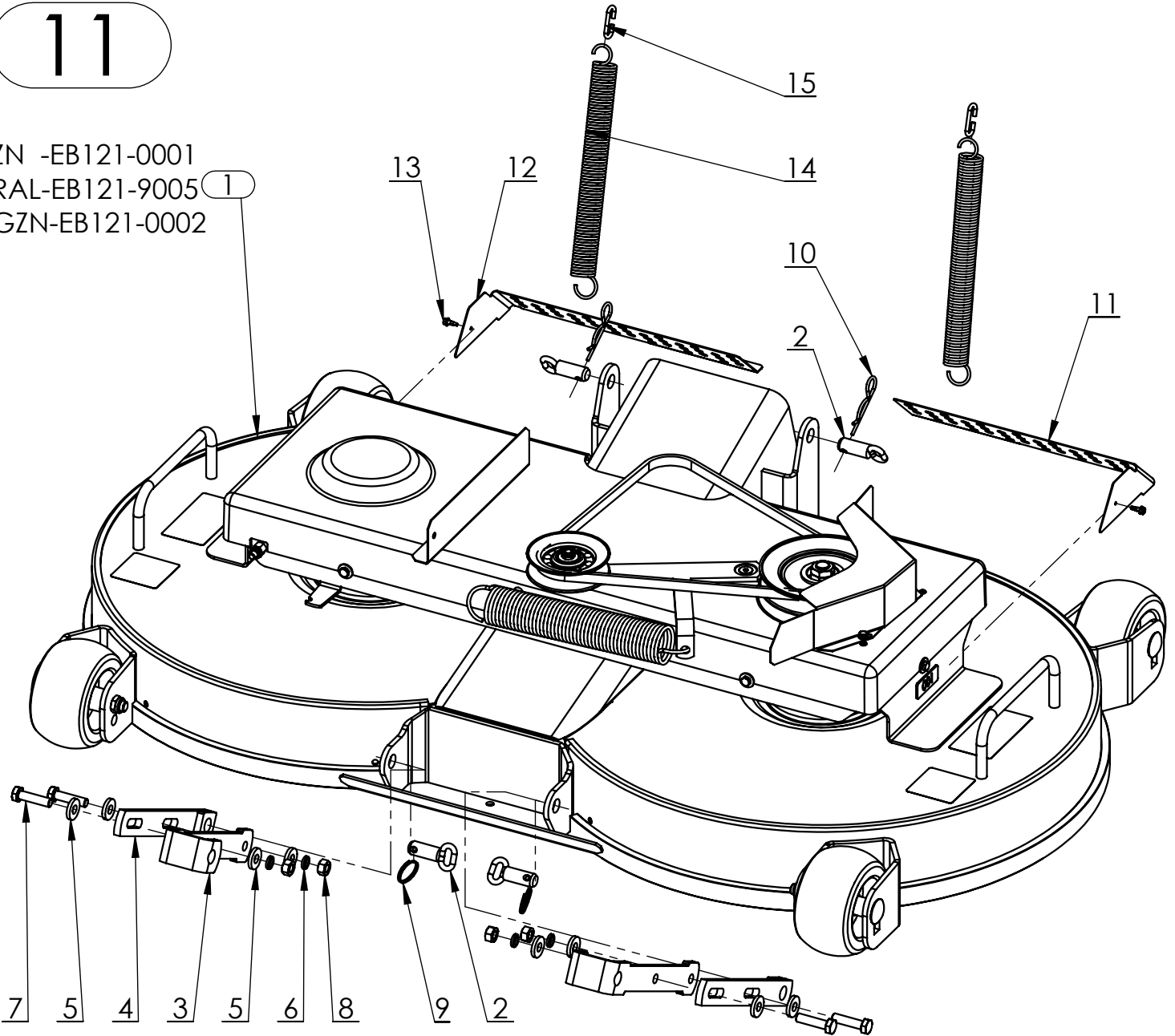
W2979  
W2945

EB120 ZACI KOMPLET 122  
MOWING DECK ASSEMBLY 122



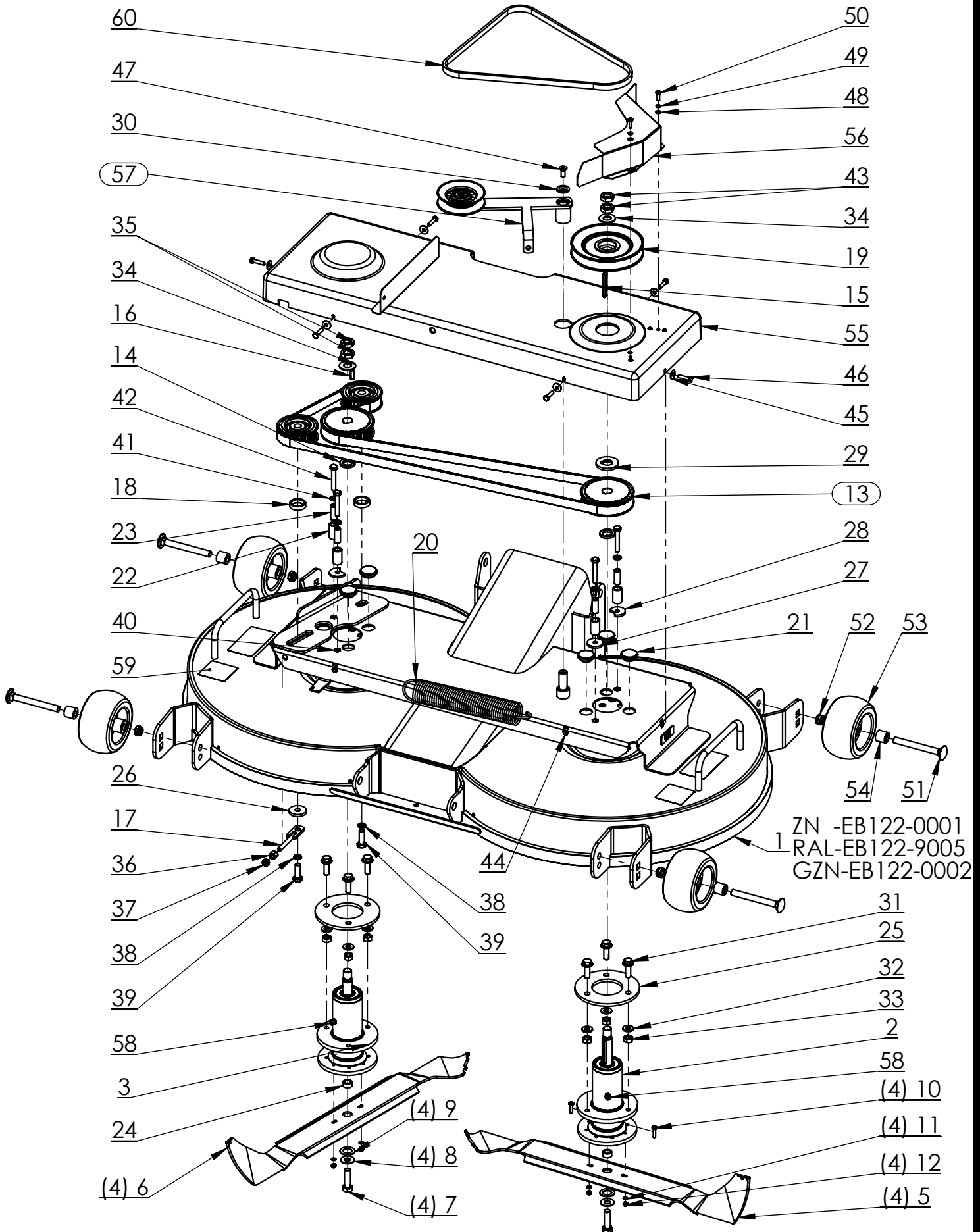
11

ZN -EB121-0001  
RAL-EB121-9005  
GZN-EB121-0002



| Po. | Ob.č./No.O | In | Název                       | Description        | ks |
|-----|------------|----|-----------------------------|--------------------|----|
| 1   | EB121      |    | ZACI USTROJI 122 ZN/LAK/GZN | MOWING DECK 122    | 1  |
| 2   | EA719      |    | KOLIK                       | LOCKING PIN        | 4  |
| 3   | EA591      | -a | ZAVES PREDNI                | FRONT HINGE        | 2  |
| 4   | E0078      |    | TAHLO                       | DRAW ROD           | 2  |
| 5   | 200308     |    | PODLOZKA M10                | WSHER M10          | 8  |
| 6   | 071541     |    | PODLOZKA 10                 | SPRING WASHER 10   | 4  |
| 7   | 066730     |    | SROUB M10X40                | BOLT M10X40        | 4  |
| 8   | 070091     |    | MATICE M10                  | NUT M10            | 4  |
| 9   | 593962     |    | KROUZEK NA KLICE - PR 30 MM | KEY RING - DIA 30  | 2  |
| 10  | 081614     |    | ZAVLACKA PRUZNA             | SPRING COTTER PIN  | 2  |
| 11  | E1990      |    | KRYT OTVORU L W29           | HOLE COVER L       | 1  |
| 12  | E1991      |    | KRYT OTVORU P W29           | HOLE COVER R       | 1  |
| 13  | 232050     |    | SROUB 4,2X13                | BOLT 4,2X13        | 2  |
| 14  | E3579      |    | PRUZINA ZACI LISTY          | MOWING DECK SPRING | 2  |
| 15  | D5043      |    | HACEK                       | HOOK               | 2  |

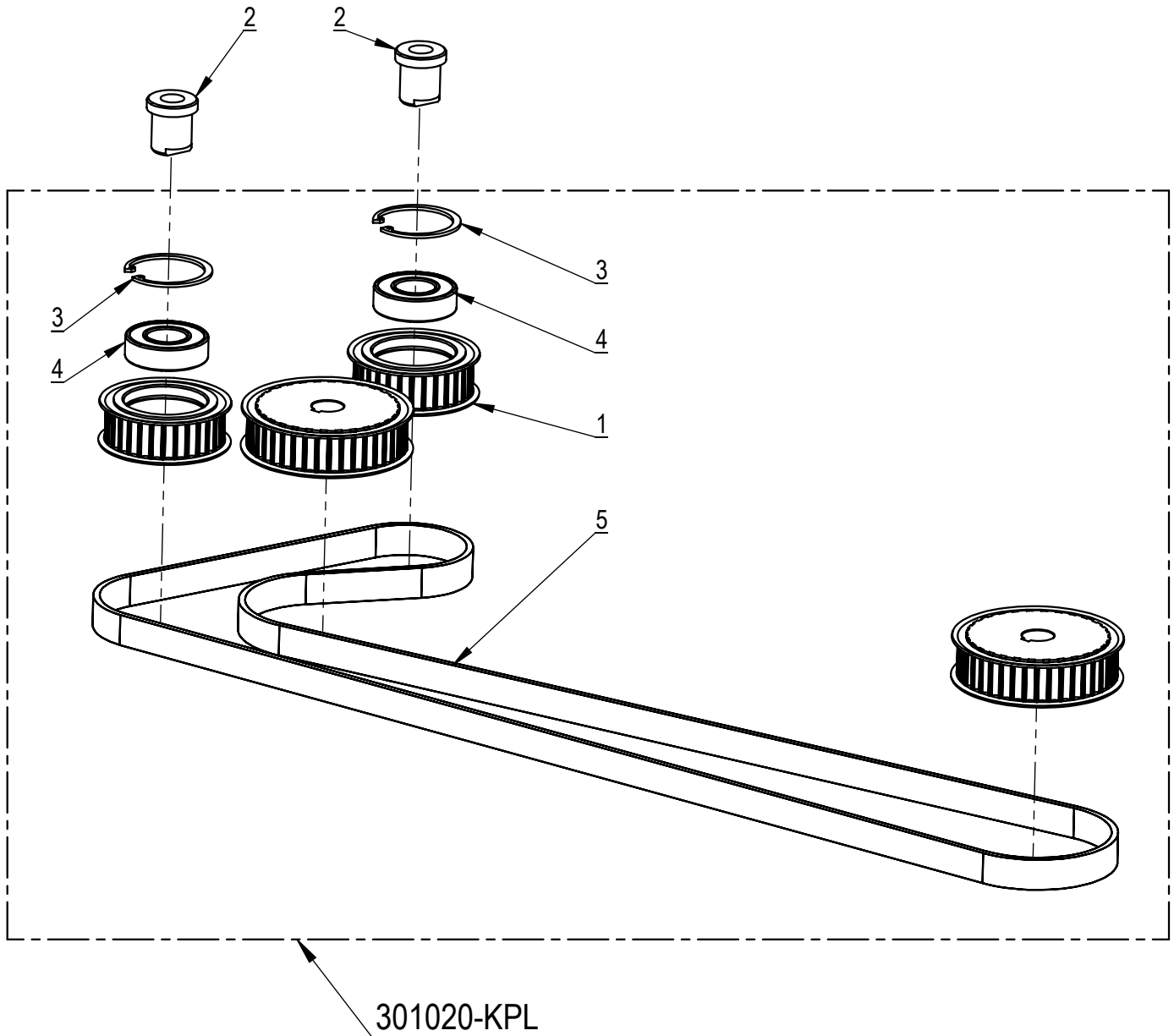
11-1



**W2979  
W2945****EB121 ZACI USTROJI 122  
MOWING DECK 122**

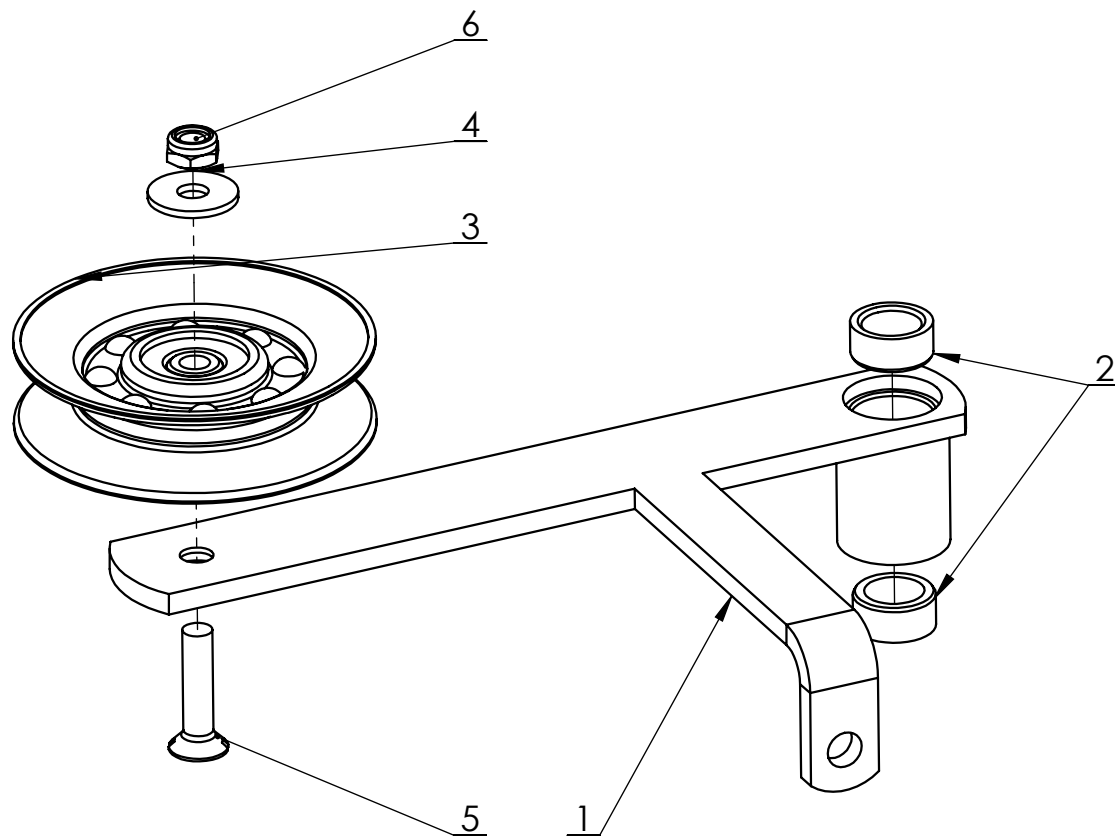
| Po.      | Ob.č./No.O   | In | Název                       | Description              | ks       |
|----------|--------------|----|-----------------------------|--------------------------|----------|
| 1        | EB122        |    | KRYT NOZU 122               | MOWING DECK COVER 122    | 1        |
| 2        | EB178        |    | ULOZENI NOZE L              | BLADE SPINDLE ASSEMBLY L | 1        |
| 3        | EB179        |    | ULOZENI NOZE P              | BLADE SPINDLE ASSEMBLY R | 1        |
| <b>4</b> | <b>Y0841</b> |    | <b>SADA NOZU 623 ZT</b>     | <b>BLADE SET 623 ZT</b>  | <b>1</b> |
| (4) 5    | E7695        |    | NUZ LEVY                    | LEFT MOWER BLADE         | 1        |
| (4) 6    | E7696        |    | NUZ PRAVY                   | RIGHT MOWER BLADE        | 1        |
| (4) 7    | 066765       |    | SROUB M12X40                | BOLT M12x40              | 2        |
| (4) 8    | 027776       |    | PODLOZKA M12                | WASHER M12               | 2        |
| (4) 9    | E3138        |    | PODLOZKA                    | WASHER                   | 2        |
| (4) 10   | 037100       |    | SROUB M5X20 5,8 Zn          | BOLT M5X20               | 4        |
| (4) 11   | 507285       |    | PODLOZKA M5 SCHNORR S/Fst   | WASHER M5 SCHNORR        | 4        |
| (4) 12   | 111545       |    | MATICE M5                   | NUT M5                   | 4        |
| 13       | EB180        |    | SADA REMENIC 122 S REMENEM  | DRIVE PULLEY KIT         | 1        |
| 14       | E5976        | -b | ROZPERKA HORNÍ              | UPPER SPACER             | 2        |
| 15       | 140815       |    | PERO 6X6X56                 | PARALLEL KEY 6X6X56      | 1        |
| 16       | 000498       |    | PERO 6X6X25                 | PARALLEL KEY 6X6X25      | 1        |
| 17       | E3690        |    | NAPINAK                     | TENSIONER                | 1        |
| 18       | E3135        |    | ROZPERKA                    | LOWER SPACER             | 2        |
| 19       | E7056        |    | REMENICE                    | PULLEY                   | 1        |
| 20       | E2788        |    | PRUZINA                     | SPRING                   | 1        |
| 21       | 280611       |    | ZATKA                       | PLUG                     | 5        |
| 22       | 011600       |    | POUZDRO 4-D0050             | BUSHING                  | 4        |
| 23       | D0049        |    | POUZDRO                     | BUSHING                  | 4        |
| 24       | E9452        |    | POUZDRO                     | BUSHING                  | 2        |
| 25       | E9949        |    | PODLOZKA                    | WASHER                   | 2        |
| 26       | E3132        |    | PODLOZKA                    | WASHER                   | 1        |
| 27       | D0151        |    | PODLOZKA                    | WASHER                   | 1        |
| 28       | E9469        |    | PODLOZKA                    | WASHER                   | 2        |
| 29       | E7059        |    | PODLOZKA                    | WASHER                   | 1        |
| 30       | E0680        |    | PODLOZKA                    | WASHER                   | 1        |
| 31       | 100812       |    | SROUB M10X30                | BOLT M10x30              | 6        |
| 32       | 290507       |    | PODLOZKA 10 NORD-LOCK       | WASHER 10 NORD-LOCK      | 6        |
| 33       | 070091       |    | MATICE M10                  | NUT M10                  | 6        |
| 34       | 041687       |    | PODLOZKA M16                | WASHER M16               | 2        |
| 35       | 069085       |    | MATICE M16X1,5 L            | NUT M16X1,5 L            | 2        |
| 36       | 261021       |    | MATICE M8                   | NUT M8                   | 1        |
| 37       | 596142       |    | MATICE M8                   | NUT M8                   | 1        |
| 38       | 071541       |    | PODLOZKA 10                 | SPRING WASHER 10         | 2        |
| 39       | 067354       |    | SROUB M10X30                | BOLT M10X30              | 2        |
| 40       | 021212       |    | NYTOVACI MATICE M8          | RIVET NUT M8             | 4        |
| 41       | 070812       |    | PODLOZKA 8,4                | WASHER 8,4               | 4        |
| 42       | 066660       |    | SROUB M8X50                 | BOLT M8x50               | 4        |
| 43       | 069610       |    | MATICE M16x1,5              | NUT M16x1,5              | 2        |
| 44       | 141212       |    | NYTOVACI MATICE M6          | RIVET NUT M6             | 6        |
| 45       | 071212       |    | PODLOZKA 6,4                | WASHER 6,4               | 6        |
| 46       | 090384       |    | SROUB M6X25                 | BOLT M6 x25              | 6        |
| 47       | 017360       |    | SROUB M8X20                 | BOLT M8X20               | 1        |
| 48       | 070476       |    | PODLOZKA 5,3                | WASHER 5,3               | 2        |
| 49       | 071513       |    | PODLOZKA 5                  | WASHER 5                 | 2        |
| 50       | 580792       |    | SROUB M5X16                 | BOLT M5X16               | 2        |
| 51       | 261112       |    | SROUB M12X110               | BOLT M12x110             | 4        |
| 52       | 271112       |    | MATICE M12                  | NUT M12                  | 4        |
| 53       | 041804       |    | OPERNE KOLECKO "127"        | SUPPORT WHEEL            | 4        |
| 54       | E7709        |    | ROZPERKA                    | SPACER                   | 4        |
| 55       | E5340        |    | KRYT                        | PULLEY COVER             | 1        |
| 56       | E1999        |    | KRYT                        | UPPER PULLEY COVER       | 1        |
| 57       | EB181        |    | NAPINACI RAMENO             | TENSIONER ARM            | 1        |
| 58       | 693919       |    | MAZACI HLAVICE PLOCHA M6    | GREASE NIPPLE M6         | 2        |
| 59       | EB165        |    | SAMOLEPKY                   | DECALS                   | 1        |
| 60       | 012434A      |    | REMEN NAHONU ZACI LISTY 102 | DECK BELT 102            | 1        |

EB180 SADA REMENIC 122 S REMENEM  
DRIVE PULLEY KIT



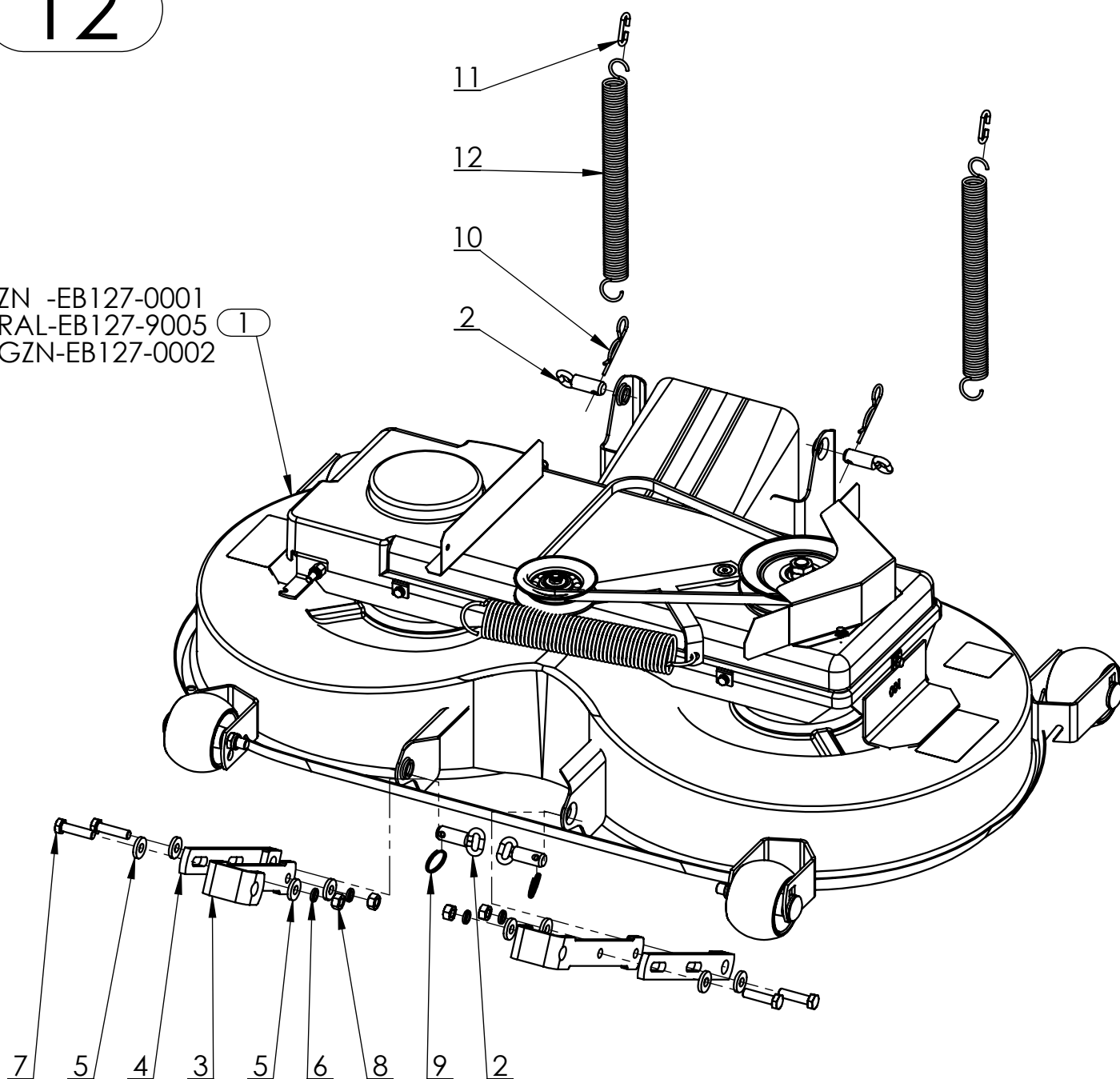
| Po. | Ob.č./No.O | In | Název   | Description           | ks |
|-----|------------|----|---|-----------------------|----|
| 1   | 301022     |    | SADA REMENIC S REMENEM 122 - SIRKA<br>REMENE 20 | DRIVE PULLEY KIT      | 1  |
| 2   | E3136      |    | CEP   | PIVOT                 | 2  |
| 3   | 078065     |    | POJISTNY KROUZEK 52                             | RETAINING RING 52     | 2  |
| 4   | 220506     |    | LOZISKO ULOZENI NOZE                            | BLADE SPINDLE BEARING | 2  |
| 5   | 040769A    |    | REMEN KLADEK NOZU 122                           | DRIVE PULLEYS BELT    | 1  |

11-1-57



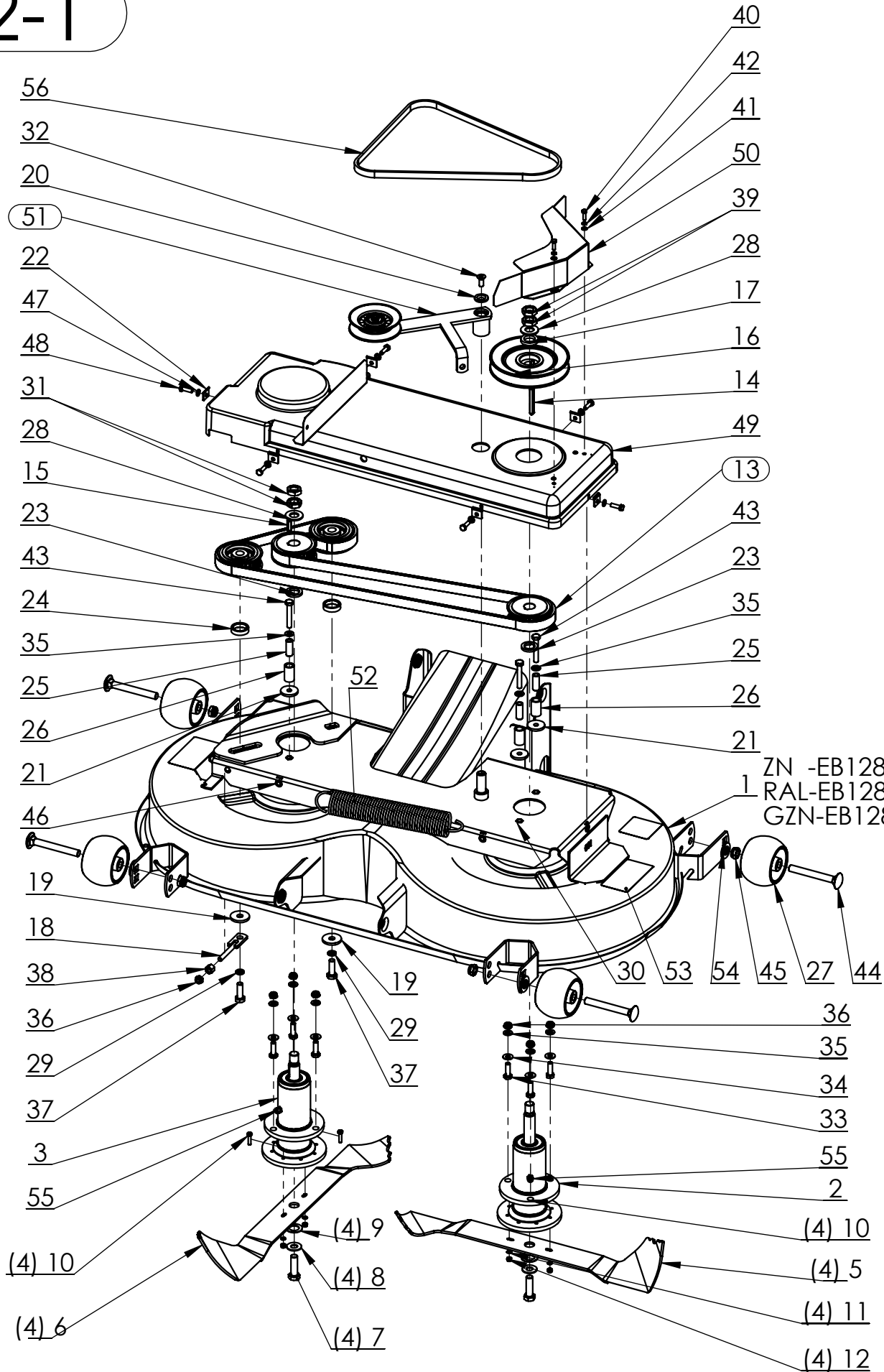
| Po. | Ob.č./No.O | In | Název           | Description   | ks |
|-----|------------|----|-----------------|---------------|----|
| 1   | E0674      | -a | RAMENO KLADKY   | SUPPORT IDLER | 1  |
| 2   | 041062     |    | POUZDRO         | BUSHING       | 2  |
| 3   | E3594      |    | NAPINACI KLADKA | IDLER PULLEY  | 1  |
| 4   | 071226     |    | PODLOZKA 8,4    | WASHER 8,4    | 1  |
| 5   | 394360     |    | SROUB M8X35     | BOLT M8X35    | 1  |
| 6   | 596142     |    | MATICE M8       | NUT M8        | 1  |

12

 ZN -EB127-0001  
 RAL-EB127-9005  
 GZN-EB127-0002


| Po. | Ob.č./No.O | In | Název                       | Description       | ks |
|-----|------------|----|-----------------------------|-------------------|----|
| 1   | EB127      |    | ZACI USTROJI 102 ZN/LAK/GZN | MOWING DECK 102   | 1  |
| 2   | EA719      |    | KOLIK                       | LOCKING PIN       | 4  |
| 3   | EA591      | -a | ZAVES PREDNI                | FRONT HINGE       | 2  |
| 4   | E0078      |    | TAHLO                       | DRAW ROD          | 2  |
| 5   | 200308     |    | PODLOZKA M10                | WSHER M10         | 8  |
| 6   | 071541     |    | PODLOZKA 10                 | SPRING WASHER 10  | 4  |
| 7   | 066730     |    | SROUB M10X40                | BOLT M10X40       | 4  |
| 8   | 070091     |    | MATICE M10                  | NUT M10           | 4  |
| 9   | 593962     |    | KROUZEK NA KLICE - PR 30 MM | KEY RING - DIA 30 | 2  |
| 10  | 081614     |    | ZAVLACKA PRUZNA             | SPRING COTTER PIN | 2  |
| 11  | D5043      |    | HACEK                       | HOOK              | 2  |
| 12  | E0520      |    | PRUZINA                     | SPRING            | 2  |

12-1



1 ZN -EB128-0001  
RAL-EB128-9005  
GZN-EB128-0002

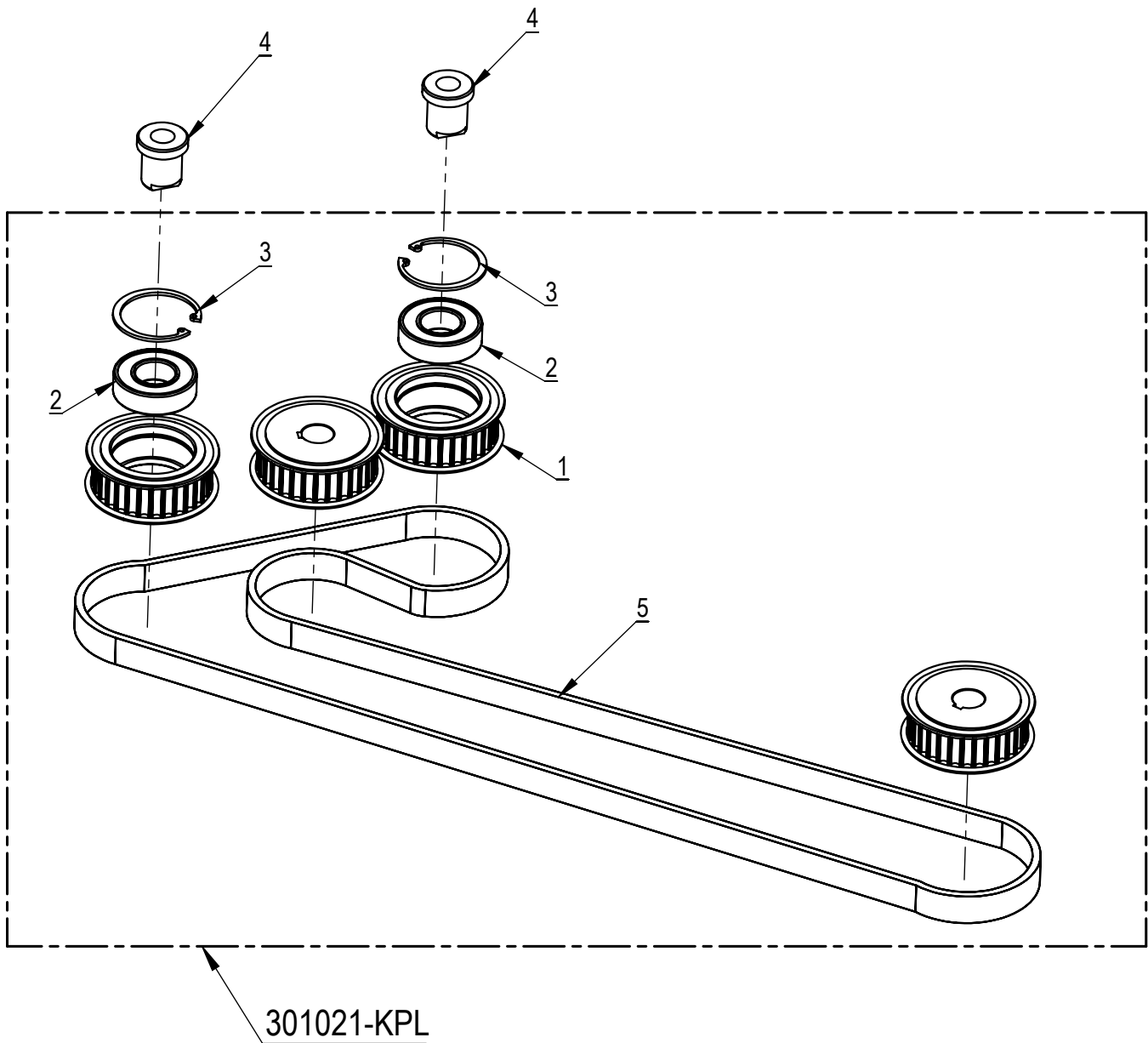
- (4) 6
- (4) 7
- (4) 8
- (4) 9
- (4) 10
- (4) 10
- (4) 11
- (4) 12

W2979  
W2945EB127 ZACI USTROJI 102  
MOWING DECK 102

| Po.      | Ob.č./No.O   | In | Název                       | Description              | MNOŽ.    |
|----------|--------------|----|-----------------------------|--------------------------|----------|
| 1        | EB128        |    | KRYT NOZU 102               | MOWING DECK COVER 102    | 1        |
| 2        | EB213        |    | ULOZENI NOZE L              | BLADE SPINDLE ASSEMBLY L | 1        |
| 3        | EB214        |    | ULOZENI NOZE P              | BLADE SPINDLE ASSEMBLY R | 1        |
| <b>4</b> | <b>Y0715</b> |    | <b>SADA NOZU 523 ZT</b>     | <b>BLADE SET 523 ZT</b>  | <b>1</b> |
| (4) 5    | E5357        |    | NUZ LEVY                    | LEFT MOWER BLADE         | 1        |
| (4) 6    | E5358        |    | NUZ PRAVY                   | RIGHT MOWER BLADE        | 1        |
| (4) 7    | 066765       |    | SROUB M12X40                | BOLT M12x40              | 2        |
| (4) 8    | 027776       |    | PODLOZKA M12                | WASHER M12               | 2        |
| (4) 9    | E3138        |    | PODLOZKA                    | WASHER                   | 2        |
| (4) 10   | 037100       |    | SROUB M5X20 5,8 Zn          | BOLT M5X20               | 4        |
| (4) 11   | 507285       |    | PODLOZKA M5 SCHNORR S/Fst   | WASHER M5 SCHNORR        | 4        |
| (4) 12   | 111545       |    | MATICE M5                   | NUT M5                   | 4        |
| 13       | EB218        |    | SADA REMENIC 102 S REMENEM  | DRIVE PULLEY KIT         | 1        |
| 14       | 140815       |    | PERO 6X6X56                 | PARALLEL KEY 6X6X56      | 1        |
| 15       | 000498       |    | PERO 6X6X25                 | PARALLEL KEY 6X6X25      | 1        |
| 16       | E7056        |    | REMENICE                    | PULLEY                   | 1        |
| 17       | E5980        |    | PODLOZKA                    | WASHER                   | 1        |
| 18       | E3690        |    | NAPINAK                     | TENSIONER                | 1        |
| 19       | D0392        |    | PODLOZKA                    | WASHER                   | 2        |
| 20       | E0680        |    | PODLOZKA                    | WASHER                   | 1        |
| 21       | D0151        |    | PODLOZKA                    | WASHER                   | 3        |
| 22       | E3965        |    | PODLOZKA                    | WASHER                   | 6        |
| 23       | E5976        | -b | ROZPERKA HORNÍ              | UPPER SPACER             | 2        |
| 24       | E3135        |    | ROZPERKA                    | LOWER SPACER             | 2        |
| 25       | D0049        |    | POUZDRO                     | BUSHING                  | 3        |
| 26       | 011600       |    | POUZDRO 4-D0050             | BUSHING                  | 3        |
| 27       | 041752-a     |    | OPERNE KOLECKO "92"         | SUPPORT WHEEL            | 4        |
| 28       | 041687       |    | PODLOZKA M16                | WASHER M16               | 2        |
| 29       | 071541       |    | PODLOZKA 10                 | SPRING WASHER 10         | 2        |
| 30       | 021212       |    | NYTOVACI MATICE M8          | RIVET NUT M8             | 3        |
| 31       | 069085       |    | MATICE M16X1,5 L            | NUT M16X1,5 L            | 2        |
| 32       | 017360       |    | SROUB M8X20                 | BOLT M8X20               | 1        |
| 33       | 067305       |    | SROUB M8X25                 | BOLT M8X25               | 6        |
| 34       | 041040       |    | PODLOZKA M8                 | WASHER M8                | 6        |
| 35       | 070812       |    | PODLOZKA 8,4                | WASHER 8,4               | 9        |
| 36       | 596142       |    | MATICE M8                   | NUT M8                   | 7        |
| 37       | 067354       |    | SROUB M10X30                | BOLT M10X30              | 2        |
| 38       | 261021       |    | MATICE M8                   | NUT M8                   | 1        |
| 39       | 069610       |    | MATICE M16x1,5              | NUT M16x1,5              | 2        |
| 40       | 580792       |    | SROUB M5X16                 | BOLT M5X16               | 2        |
| 41       | 070476       |    | PODLOZKA 5,3                | WASHER 5,3               | 2        |
| 42       | 071513       |    | PODLOZKA 5                  | WASHER 5                 | 2        |
| 43       | 066660       |    | SROUB M8X50                 | BOLT M8x50               | 3        |
| 44       | 220817       |    | SROUB M12x100               | BOLT M12x100             | 4        |
| 45       | 271112       |    | MATICE M12                  | NUT M12                  | 4        |
| 46       | 386817       |    | NYTOVACI MATICE M6          | RIVET NUT M6             | 6        |
| 47       | 070805       |    | PODLOZKA 6,4                | WASHER 6,4               | 6        |
| 48       | 431736       |    | SROUB M6X20                 | BOLT M6x20               | 6        |
| 49       | D4517        |    | KRYT                        | PULLEY COVER             | 1        |
| 50       | E1999        |    | KRYT                        | UPPER PULLEY COVER       | 1        |
| 51       | EB181        |    | NAPINACI RAMENO             | TENSIONER ARM            | 1        |
| 52       | E2788        |    | PRUZINA                     | SPRING                   | 1        |
| 53       | EB165        |    | SAMOLEPKY                   | DECALS                   | 1        |
| 54       | 070532       |    | PODLOZKA 17                 | WASHER 17                | 4        |
| 55       | 693919       |    | MAZACI HLAVICE PLOCHA M6    | GREASE NIPPLE M6         | 2        |
| 56       | 012434A      |    | REMEN NAHONU ZACI LISTY 102 | DECK BELT 102            | 1        |

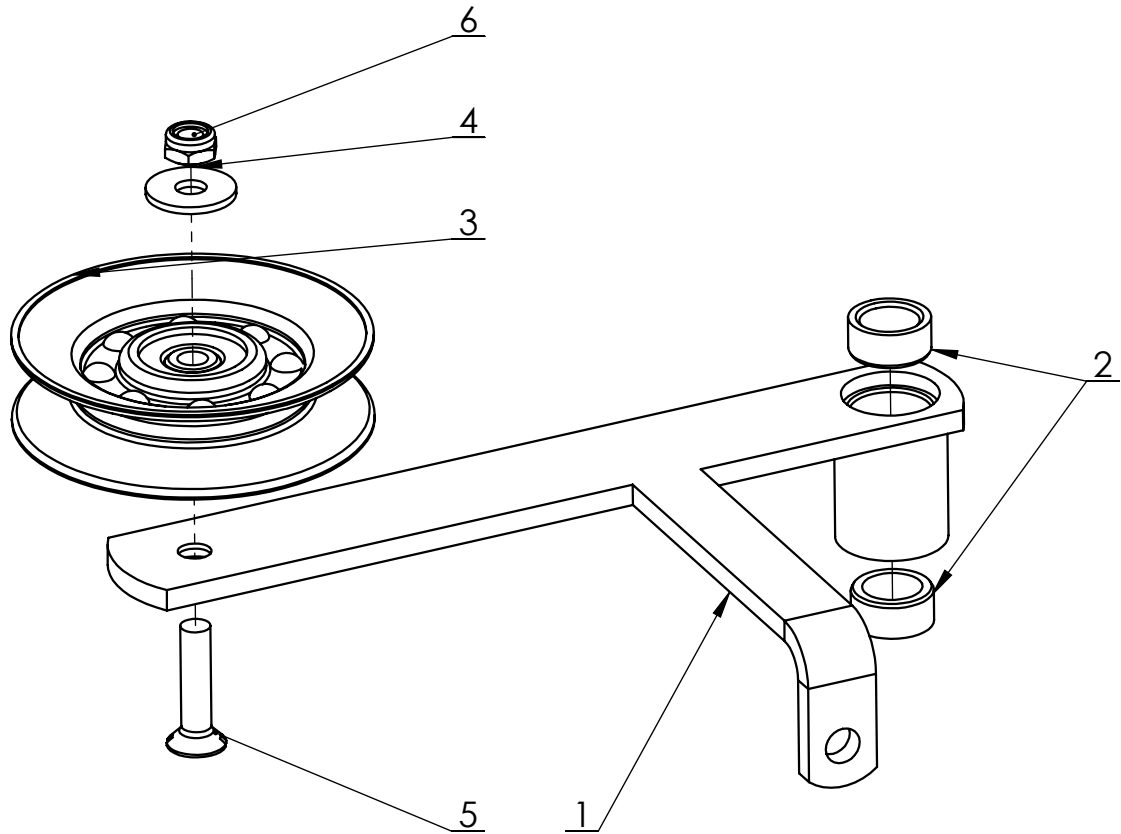
W2979

EB218 SADA REMENIC 102 S REMENEM  
DRIVE PULLEY KIT

**WISCONSIN  
ENGINEERING**


| Po. | Ob.č./No.O | In | Název                                 | Description           | ks |
|-----|------------|----|---------------------------------------|-----------------------|----|
| 1   | 301021     |    | SADA REMENIC S REMENEM 102            | DRIVE PULLEY KIT      | 1  |
| 2   | 220506     |    | LOZISKO ULOZENI NOZE                  | BLADE SPINDLE BEARING | 2  |
| 3   | 078065     |    | POJISTNY KROUZEK 52                   | RETAINING RING 52     | 2  |
| 4   | E3136      |    | CEP                                   | PIVOT                 | 2  |
| 5   | 271021     |    | REMEN S08MDD-1760-20 CXP<br>CONTITECH | DRIVE PULLEYS BELT    | 1  |

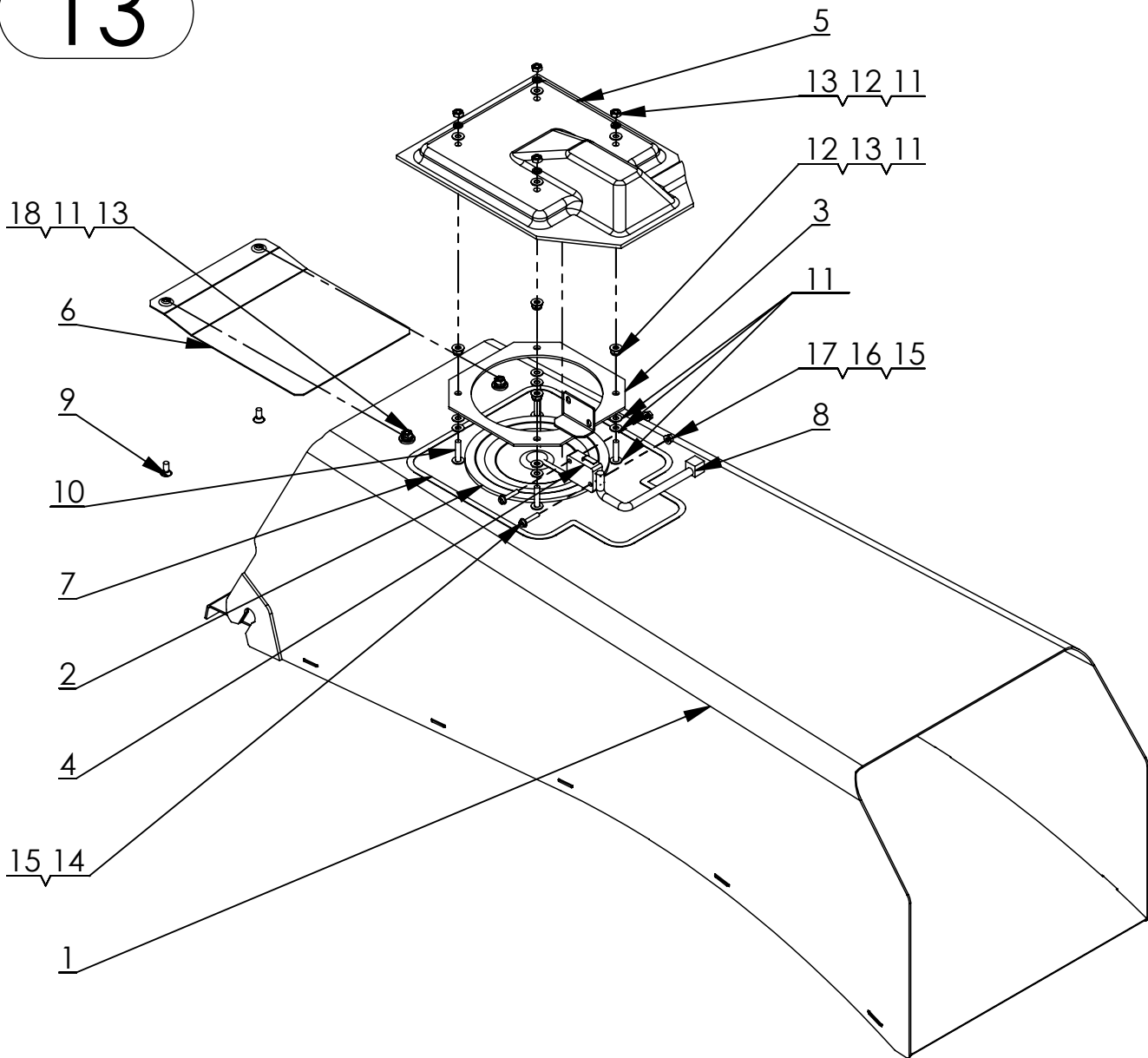
12-1-51



| Po. | Ob.č./No.O | In | Název           | Description   | ks |
|-----|------------|----|-----------------|---------------|----|
| 1   | E0674      | -a | RAMENO KLADKY   | SUPPORT IDLER | 1  |
| 2   | 041062     |    | POUZDRO         | BUSHING       | 2  |
| 3   | E3594      |    | NAPINACI KLADKA | IDLER PULLEY  | 1  |
| 4   | 071226     |    | PODLOZKA 8,4    | WASHER 8,4    | 1  |
| 5   | 394360     |    | SROUB M8X35     | BOLT M8X35    | 1  |
| 6   | 596142     |    | MATICE M8       | NUT M8        | 1  |

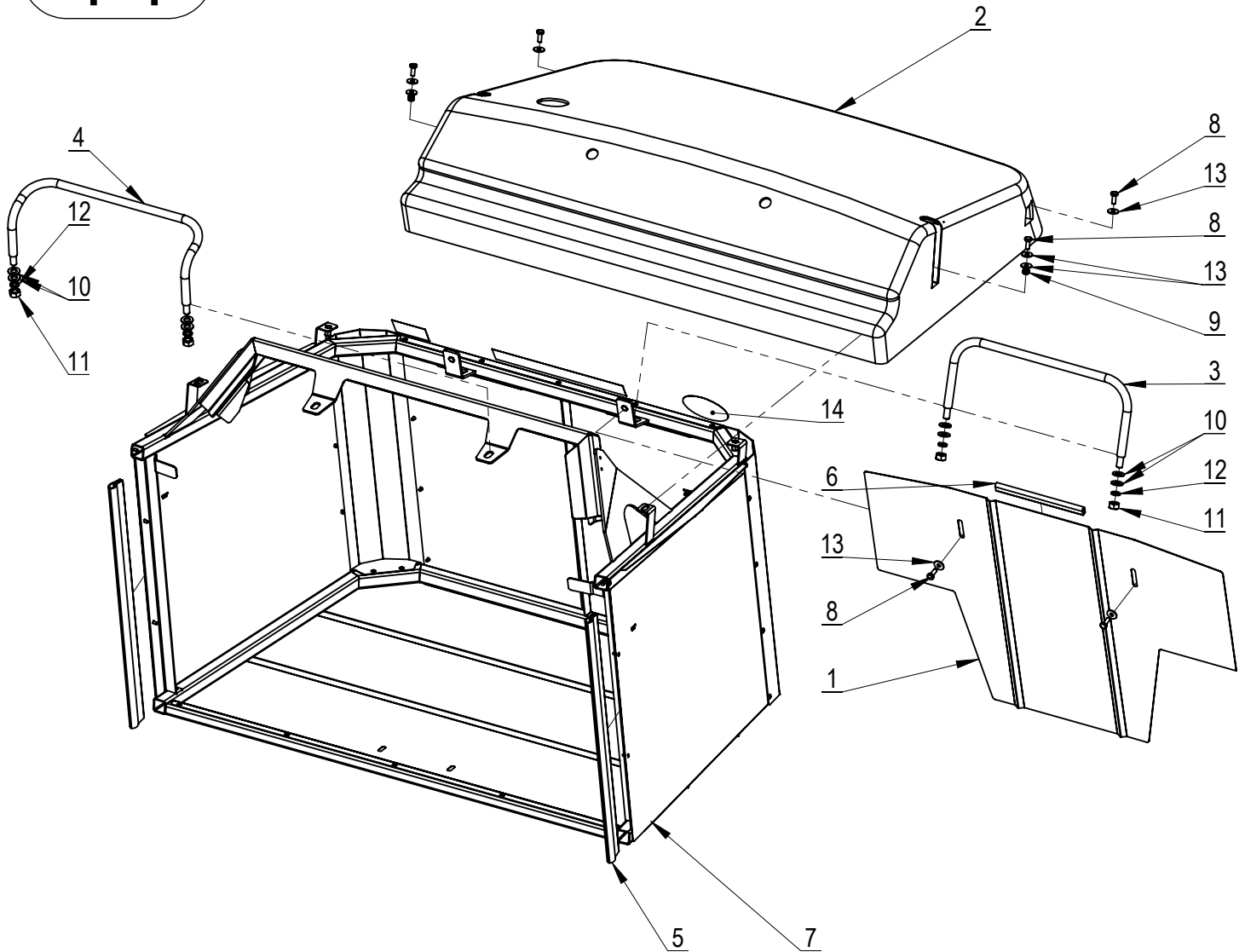


13



| Po. | Ob.č./No.O | In | Název                     | Description                | ks |
|-----|------------|----|---------------------------|----------------------------|----|
| 1   | E7722      | -b | TUNEL                     | TUNNEL                     | 1  |
| 2   | 017822     |    | MEMBRANA                  | MEMBRANE                   | 1  |
| 3   | E0100      |    | PRIRUBA                   | FLANGE                     | 1  |
| 4   | E0103      |    | MIKROSPINAC               | MICROSWITCH                | 1  |
| 5   | 017864     |    | KRYT CIDLA                | SENSOR COVER               | 1  |
| 6   | E0106      |    | CLONA                     | BAFFLE                     | 1  |
| 7   | Y0635      |    | TESNICI PAS L=650         | SEALING STRIP              | 1  |
| 8   | 027944     |    | SVAZEK SPINACE 3WN 195 37 | MICROSWITCH WIRING HARNESS | 1  |
| 9   | 646562     |    | SROUB M4X10               | BOLT M4X10                 | 2  |
| 10  | 277016     |    | SROUB M4X20               | BOLT M4X20                 | 4  |
| 11  | 070462     |    | PODLOZKA 4,3              | WASHER 4,3                 | 22 |
| 12  | 279020     |    | PODLOZKA 4                | WASHER 4                   | 10 |
| 13  | 069141     |    | MATICE M4                 | NUT M4                     | 10 |
| 14  | 063962     |    | SROUB M3X16               | BOLT M3x16                 | 2  |
| 15  | 310440     |    | PODLOZKA 3,2              | WASHER 3,2                 | 4  |
| 16  | 288063     |    | PODLOZKA 3                | WASHER 3                   | 2  |
| 17  | 069134     |    | MATICE M3                 | NUT M3                     | 2  |
| 18  | 070805     |    | PODLOZKA 6,4              | WASHER 6.4                 | 2  |

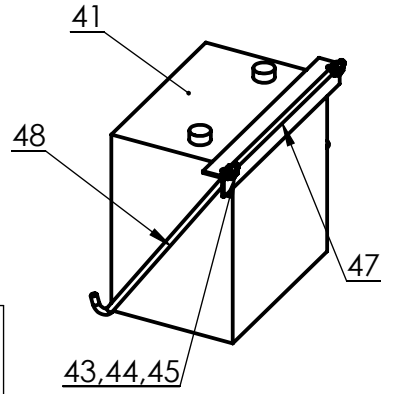
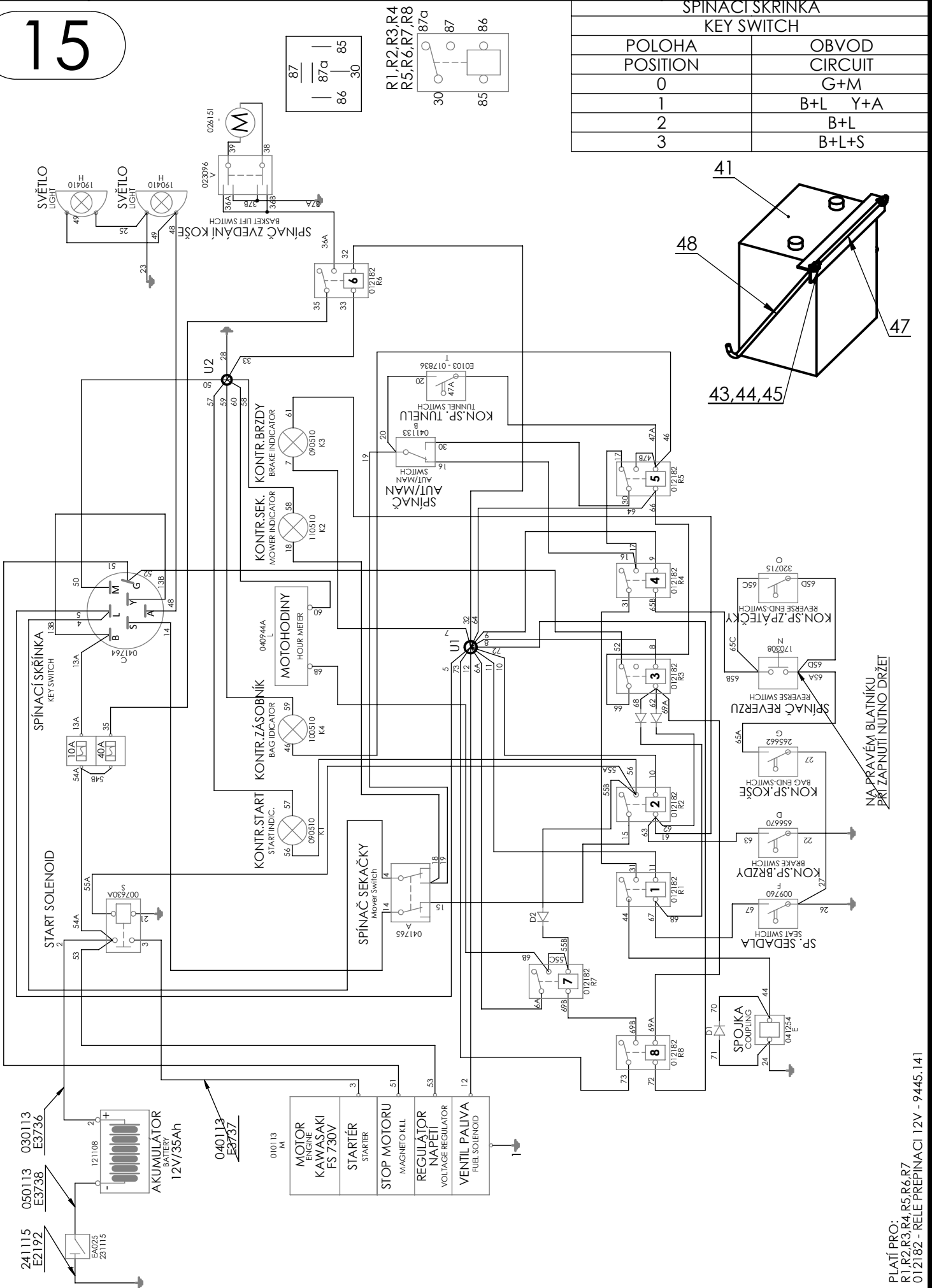
14



| Po. | Ob.č./No.O   | In | Název                   | Description      | ks |
|-----|--------------|----|-------------------------|------------------|----|
| 1   | E5642        |    | CLONA                   | BAFFLE           | 1  |
| 2   | 170608       |    | VIKO ZASOBNÍKU          | COLLECTOR COVER  | 1  |
| 3   | 170418       |    | OBLOUK KOSE - PREDNI    | HANDLE - FRONT   | 1  |
| 4   | 170419       |    | OBLOUK KOSE - ZADNI     | HANDLE - REAR    | 1  |
| 5   | EB252        |    | GUM.TESNENI KOSE        | SEALING STRIP    | 2  |
| 6   | EB255        |    | LEMOVKA L=170           | SEALING STRIP    | 1  |
| 7   | E1553        | -a | RAM ZASOBNÍKU W29-W31   | COLLECTOR FRAME  | 1  |
| 8   | 067242       |    | SROUB M6X16             | BOLT M6x16       | 6  |
| 9   | 596275       |    | MATICE M6               | NUT M6           | 2  |
| 10  | 070504       |    | PODLOZKA 10,5           | WASHER 10,5      | 8  |
| 11  | 070091       |    | MATICE M10              | NUT M10          | 4  |
| 12  | 071541       |    | PODLOZKA 10             | SPRING WASHER 10 | 4  |
| 13  | 071212       |    | PODLOZKA 6,4            | WASHER 6,4       | 8  |
| 14  | EB166        |    | SAMOLEPKY KOS 360L (CZ) | DECALS           | 1  |
| 15  | alter. EB176 |    | SAMOLEPKY KOS 360L (EN) | DECALS           | 1  |

15

| SPINACI SKRINKA<br>KEY SWITCH |                  |
|-------------------------------|------------------|
| POLOHA<br>POSITION            | OBVOD<br>CIRCUIT |
| 0                             | G+M              |
| 1                             | B+L Y+A          |
| 2                             | B+L              |
| 3                             | B+L+S            |



NA PRAVÉM BLATNÍKU  
PŘI ZAPNUTÍ NUTNO DRŽET

PLATÍ PRO:  
R1,R2,R3,R4,R5,R6,R7  
012182 - RELE PŘEPINACI 12V - 9445.141

W2979

E2136

ELEKTROVYZBROJ  
ELECTRICAL SYSTEM

| Po. | Ob.č./No.O | In | Název                          | Description            | ks    |
|-----|------------|----|--------------------------------|------------------------|-------|
| 3   | 241115     |    | KABEL ZEMNICI 4-E2192          | GROUND CABLE           | 1,00  |
| 4   | 050113     |    | KABEL ZEMNICI 4-E3738          | GROUND CABLE           | 1,00  |
| 5   | 030113     |    | KABEL BATERIE 450-E3736        | BATTERY CABLE          | 1,00  |
| 6   | 040113     |    | KABEL STARTERU 320-E3737       | STARTER CABLE          | 1,00  |
| 10  | 090610     |    | KRYTKA KONEKTORU MALÁ RUDÁ     | CONNECTOR COVER        | 3,00  |
| 14  | EA025      |    | ODPOJOVAC BATERIE              | BATTERY DISCONNECTOR   | 1,00  |
| 15  | 431736     |    | SROUB M6X20                    | BOLT M6X20             | 1,00  |
| 16  | 280308     |    | PODLOZKA M6                    | WASHER M6              | 2,00  |
| 17  | 596275     |    | MATICE M6                      | NUT M6                 | 1,00  |
| 25  | 010408     |    | PRUCHODKA 8x2                  | GROMMET 8X2            | 1,00  |
| 27  | 023096     |    | SPINAC                         | SWITCH                 | 1,00  |
| 31  | 656670     |    | SPINAC ZPATECKY                | REVERSE SWITCH         | 1,00  |
| 32  | 265662     |    | SPINAC                         | SWITCH                 | 1,00  |
| 33  | D0642      |    | MATICE                         | NUT                    | 1,00  |
| 34  | 320715     |    | SPINAC ZPATECKY                | REVERSE SWITCH         | 1,00  |
| 35  | 170308     |    | SPINAC ZPET.SECENI             | REVERSE CUT SWITCH     | 1,00  |
| 40  | 535906     |    | MATICE M10X1                   | NUT M10X1              | 1,00  |
| 41  | 121108     |    | AKUMULATOR 12V 35Ah            | BATTERY 12V 35Ah       | 1,00  |
| 42  | 431736     |    | SROUB M6X20                    | BOLT M6X20             | 4,00  |
| 43  | 070805     |    | PODLOZKA 6,4                   | WASHER 6,4             | 2,00  |
| 44  | 276700     |    | PODLOZKA 6                     | WASHER 6               | 2,00  |
| 45  | 590025     |    | MATICE M6                      | NUT M6                 | 2,00  |
| 47  | E3025      |    | PRICHYTKA                      | BATTERY HOLDER         | 1,00  |
| 48  | E8271-a    |    | TAHLO BATERKY                  | BATTERY PULL           | 2,00  |
| 49  | E2086      |    | BAT. SVORKA +                  | BATTERY CLAMP +        | 1,00  |
| 50  | E2087      |    | BAT. SVORKA -                  | BATTERY CLAMP -        | 1,00  |
| 52  | E3754      |    | ADAPTER                        | ADAPTER                | 2,00  |
| 53  | 190410     |    | LED ZAROVKA                    | LED BULB               | 2,00  |
| 54  | 050351     |    | KROUZEK 45X2                   | RING 45X2              | 2,00  |
| 103 | 041764     |    | SPINACI SKRINKA                | SWITCHBOX              | 1,00  |
| 105 | 041765     |    | SPINAC                         | SWITCH                 | 1,00  |
| 107 | 041133     |    | SPINAC AUT-MAN                 | SWITCH AUT-MAN         | 1,00  |
| 111 | E4079      |    | DRZAK KONTROLEK SE SYMBOLY     | INDICATOR LIGHT HOLDER | 1,00  |
| 112 | 180408     |    | SROUB M4X12                    | BOLT M4X12             | 2,00  |
| 113 | 070462     |    | PODLOZKA 4,3                   | WASHER 4,3             | 2,00  |
| 114 | 069141     |    | MATICE M4                      | NUT M4                 | 2,00  |
| 115 | 090510     |    | KONTROLKA CERVENA              | INDICATOR LIGHT RED    | 2,00  |
| 116 | 100510     |    | KONTROLKA ZELENA               | INDICATOR LIGHT GREEN  | 1,00  |
| 117 | 110510     |    | KONTROLKA ORANZOVA             | INDICATOR LIGHT ORANGE | 1,00  |
| 118 | 040944A    |    | POCITADLO MOTOHODIN            | ENGINE HOUR METER      | 1,00  |
| 120 | EA7821     |    | SVAZEK HLAVNI W2979 KAW CE     | WIRE HARNESS           | 1,00  |
| 121 | 012182     |    | RELE                           | RELAY                  | 6,00  |
| 122 | 022332     |    | RELE                           | RELAY                  | 1,00  |
| 124 | 071674     |    | PODLOZKA 5,3                   | WASHER 5,3             | 7,00  |
| 125 | 580792     |    | SROUB M5X16                    | BOLT M5X16             | 7,00  |
| 126 | 069155     |    | MATICE M5                      | NUT M5                 | 7,00  |
| 127 | 071205     |    | PODLOZKA 5,3                   | WASHER 5,3             | 14,00 |
| 131 | 007630A    |    | SOLENOID                       | SOLENOID               | 1,00  |
| 132 | 475700     |    | SROUB M6X12                    | BOLT M6X12             | 2,00  |
| 133 | 070805     |    | PODLOZKA 6,4                   | WASHER 6,4             | 2,00  |
| 134 | 071681     |    | PODLOZKA 6,4                   | WASHER 6,4             | 2,00  |
| 135 | 590025     |    | MATICE M6                      | NUT M6                 | 2,00  |
| 136 | 111110     |    | MATICE 10-32 UNF (nizká) ZB    | NUT 10-32 UNF          | 1,00  |
| 137 | 101110     |    | MATICE 5/16-24 UNF (stand.) ZB | NUT 5/16-24 UNF        | 2,00  |
| 138 | 071674     |    | PODLOZKA 5,3                   | WASHER 5,3             | 2,00  |
| 139 | 071695     |    | PODLOZKA 8,4                   | WASHER 8,4             | 4,00  |
| 141 | 484771     |    | PRUCHODKA 27X2                 | GROMMET 27X2           | 1,00  |
| 200 | 090609A    |    | KRYTKA KONEKTORU VELKA CERVENA | CONNECTOR COVER        | 1,00  |
| 210 | 071695     |    | PODLOZKA 8,4                   | WASHER 8,4             | 10,00 |
| 211 | 596142     |    | MATICE M8                      | NUT M8                 | 5,00  |
| 250 | 041407     |    | KRYTKA SPOJKY                  | CLUTCH COVER           | 1,00  |
| 251 | 180912     |    | KONEKTOR                       | CONNECTOR              | 1,00  |
| 252 | 310510     |    | ZASUVKA 2 POL.                 | SOCKET                 | 1,00  |
| 300 | 028470     |    | POJISTKA 10A                   | FUSE 10A               | 1,00  |
| 301 | 028484     |    | POJISTKA 40A                   | FUSE 40A               | 1,00  |





**WISCONSIN Engineering CZ, s.r.o.**  
**Průmyslová 4649/20, 796 01**  
**PROSTĚJOV,**  
**E-mail: ND@wisconsineng.cz**  
**[www.wisconsineng.cz](http://www.wisconsineng.cz)**  
**[www.sekamtravu.cz](http://www.sekamtravu.cz)**

**W2979 RIVIERA**