



**W3674 BULLDOG**



**W3674**

**Žací stroj / Lawn Tractor**

**Seznam dílů / Parts catalogue  
Platí od / Valid since**

EB400(-a); EB410(-a); EB420(-a); EB430(-a)  
Od výrobní dávky č. 23-305

**WISCONSIN Engineering CZ, s.r.o.  
Průmyslová 4649/20, 796 01  
PROSTĚJOV,**

**E-mail: [ND@wisconsineng.cz](mailto:ND@wisconsineng.cz)  
[www.wisconsineng.cz](http://www.wisconsineng.cz)  
[www.sekamtravu.cz](http://www.sekamtravu.cz)**

## Pokyny k objednávání náhradních dílů

Tento katalog obsahuje seznam náhradních dílů a jejich sestavení do montážních skupin. Katalog je uspořádán tak, že za ilustrovanou stranou následuje textová strana. Na textové straně jsou kolonky:

| A   |            | B  |       |             |    |
|-----|------------|----|-------|-------------|----|
| Po. | Ob.č./No.O | In | Název | Description | ks |
| 1   | 2          | 3  | 4     | 4           | 5  |

- A** - označení stroje
- B** - označení a název skupiny
- 1** - číslo položky katalogu
- 2** - objednací číslo
- 3** - index
- 4** - název součásti, rozměr
- 5** - počet kusů do sestavy

### Při objednávce náhradních dílů uveďte vždy:

- typ stroje
- výrobní číslo stroje
- objednací číslo
- přesný název součásti

### Neautorizované náhradní díly

Používejte pouze náhradní díly autorizované společností Wisconsin Engineering. Výměna jakéhokoli dílu na tomto stroji za jiný, než náhradní díl autorizovaný společností Wisconsin Engineering může nepříznivě ovlivnit výkon, životnost nebo bezpečnost této jednotky a může zrušit platnost záruky. Společnost Wisconsin Engineering se zříká odpovědnosti za jakékoli nároky nebo škody, ať už se jedná o záruku, poškození majetku, zranění osob nebo smrt v důsledku použití neautorizovaných náhradních dílů.

Společnost Wisconsin Engineering stále zdokonaluje své výrobky na základě provozních zkušeností a nejnovějších poznatků. Proto si vyhrazuje možnost změn na strojích i v dokumentaci.

## Spare Part Ordering Information

This catalogue lists parts. Parts are listed by major component groups. This document is arranged so that an illustration page is followed by a text page which identifies illustrations positions by:

| A   | B          |    |       |             |    |
|-----|------------|----|-------|-------------|----|
| Po. | Ob.č./No.O | In | Název | Description | ks |
| 1   | 2          | 3  | 4     | 4           | 5  |

- A** - Type of machine
- B** - Assembly identification and name
- 1** - Part position
- 2** - Part ordering number
- 3** - Index
- 4** - Description and dimensions where applicable
- 5** - Quantity in assembly

**When ordering spare parts, the following information must be provided in order to ensure parts order is filled accurately:**

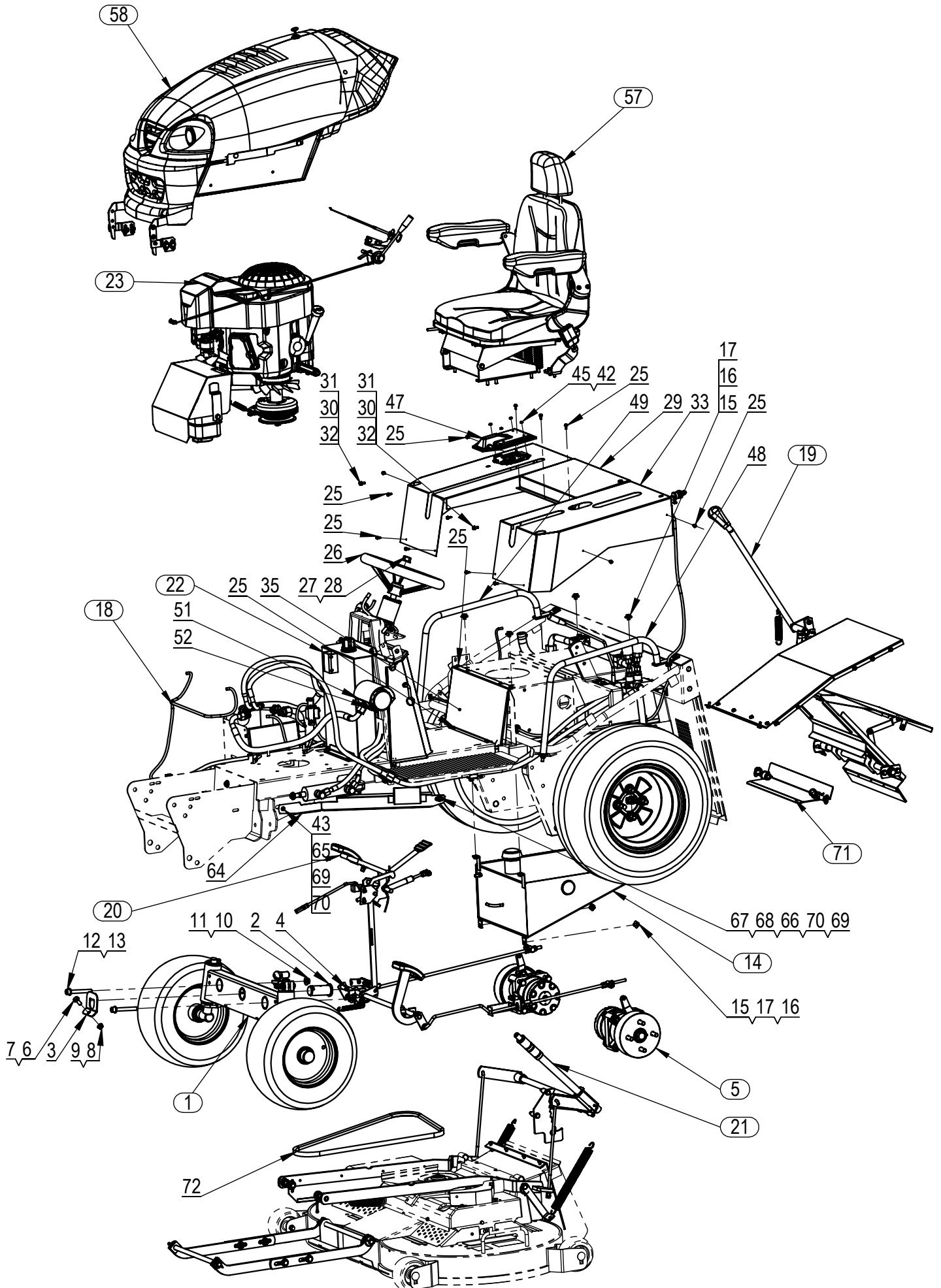
- Type of machine
- Manufacturing serial number
- Part number
- Part description

### Unauthorized replacement parts

Use only Wisconsin Engineering authorized replacement parts. The replacement of any part on this machine with anything other than a Wisconsin Engineering authorized replacement part may adversely affect the performance, durability, or safety of this unit and may void the warranty. Wisconsin Engineering disclaims liability for any claims or damages, whether warranty, property damage, personal injury or death arising out of the use of unauthorized replacement parts.

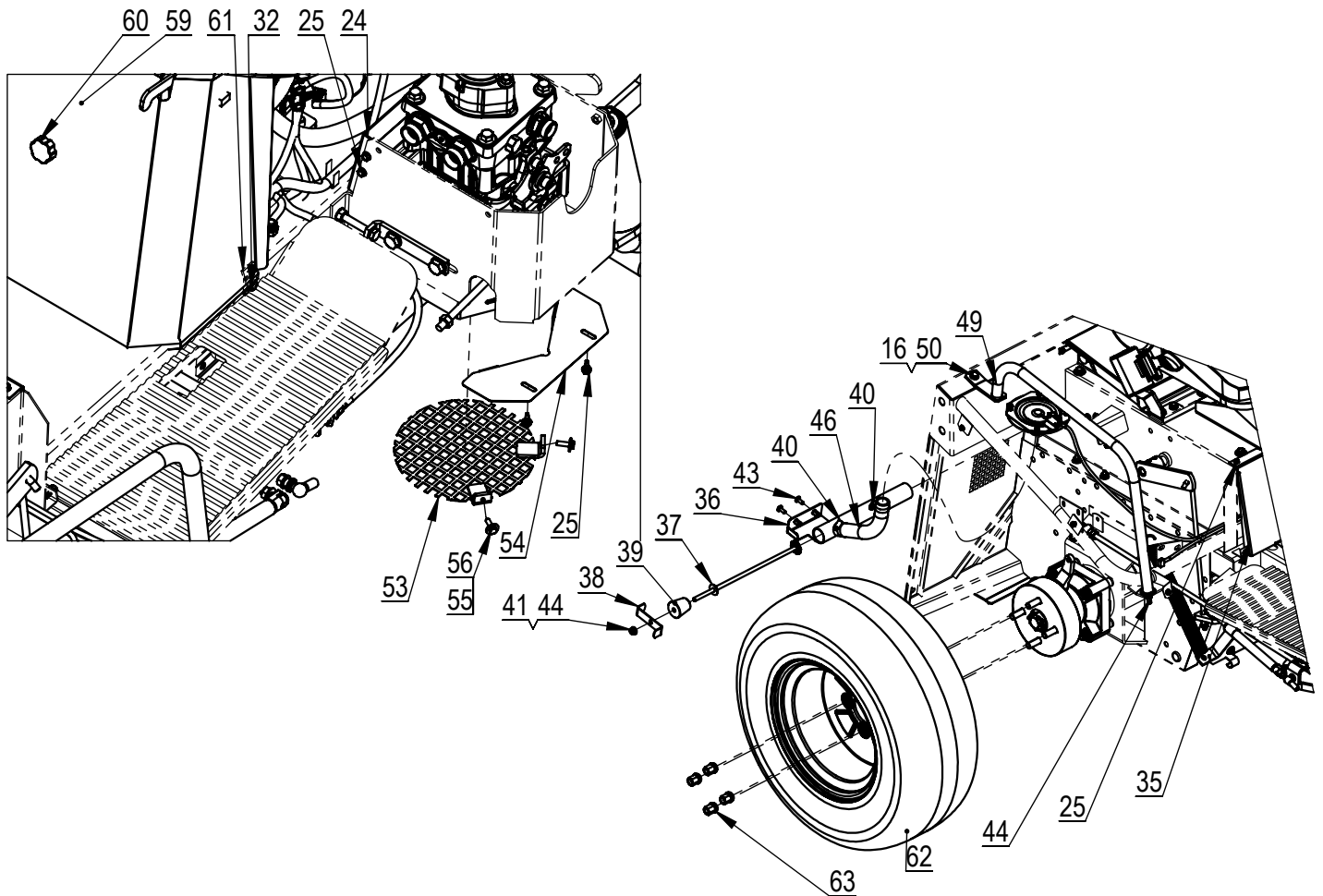
Wisconsin Engineering's policy is one of continuous improvement. The right to change prices, specification, or equipment at any time without public notice or obligation, is reserved.

|  |    |
|--|----|
| S0 ZACI STROJ - LAWN TRACTOR   | 2  |
| S1 NAPRAVA PREDNI - FRONT AXLE   | 5  |
| S2a OVLADANI BRZD - BRAKE CONTROL  | 6  |
| S2b OVLADANI BRZD - BRAKE CONTROL  | 8  |
| S3 PALIVOVA NADRZ - FUEL TANK  | 11 |
| S4a ELEKTROVÝZBROJ - ELETRICAL SYSTEM                                      | 12 |
| S4b ELEKTROVÝZBROJ - ELETRICAL SYSTEM                                      | 16 |
| S5 TUNEL; CISTICI KLAPKA - CHUTE; CLEANING SHUTTER                         | 18 |
| S6 OVLADANI POJEZDU - CONTROL TRAVEL                                       | 20 |
| S7 ZVEDANI SEKACKY - DECK LIFT   | 21 |
| S8a HYDRAULIKA W3674 - HYDRAULICS W3674                                    | 23 |
| S8b HYDRAULIKA W3674 - HYDRAULICS W3674                                    | 26 |
| S9 MOTOR KAWASAKI - KAWASAKI ENGINE  | 30 |
| S10_KATALOG NOVY-PM018   | 33 |
| S11 SEDACKA - SEAT   | 34 |
| S12 KAPOTA UPLNA - COMPLETE HOOD   | 36 |
| S13 POJISTNI SADA KLAPKY - LOCKING KIT                                     | 37 |
| S14 EB171 NALEPKY - STICKERS   | 38 |
| S15 Y0112-ZASOBNIK VYSOKOZD.V. S OBLOUKEM_HIGH<br>LIFT COLLECTOR WITH ROPS | 39 |
| S16 Y0111-ZASOBNIK STANDART S OBLOUKEM_STANDARD<br>COLLECTOR WITH ROPS     | 55 |
| S17 EA238 ZAVAZI NA RAM - IT WEIGHTS ON THE FRAME                          | 65 |
| S18 EA236 ZAVAZI PREDNI - WEIGHT FRON                                      | 66 |
| S19 E8767 PREDNI ZAVES - FRONT HANG  | 67 |
| S20 EA088 TEXTILNI CLONA ZASOBIKU - SIDE COVER                             | 68 |
| S21 Y0050 KRYT HYDRAULIKY - HYDRAULIC COVER                                | 69 |



W3674

EB400-α; EB410-α ZACI STROJ W3674  
 EB420-α; EB430-α LAWN TRACTOR E3674


**WISCONSIN  
ENGINEERING**


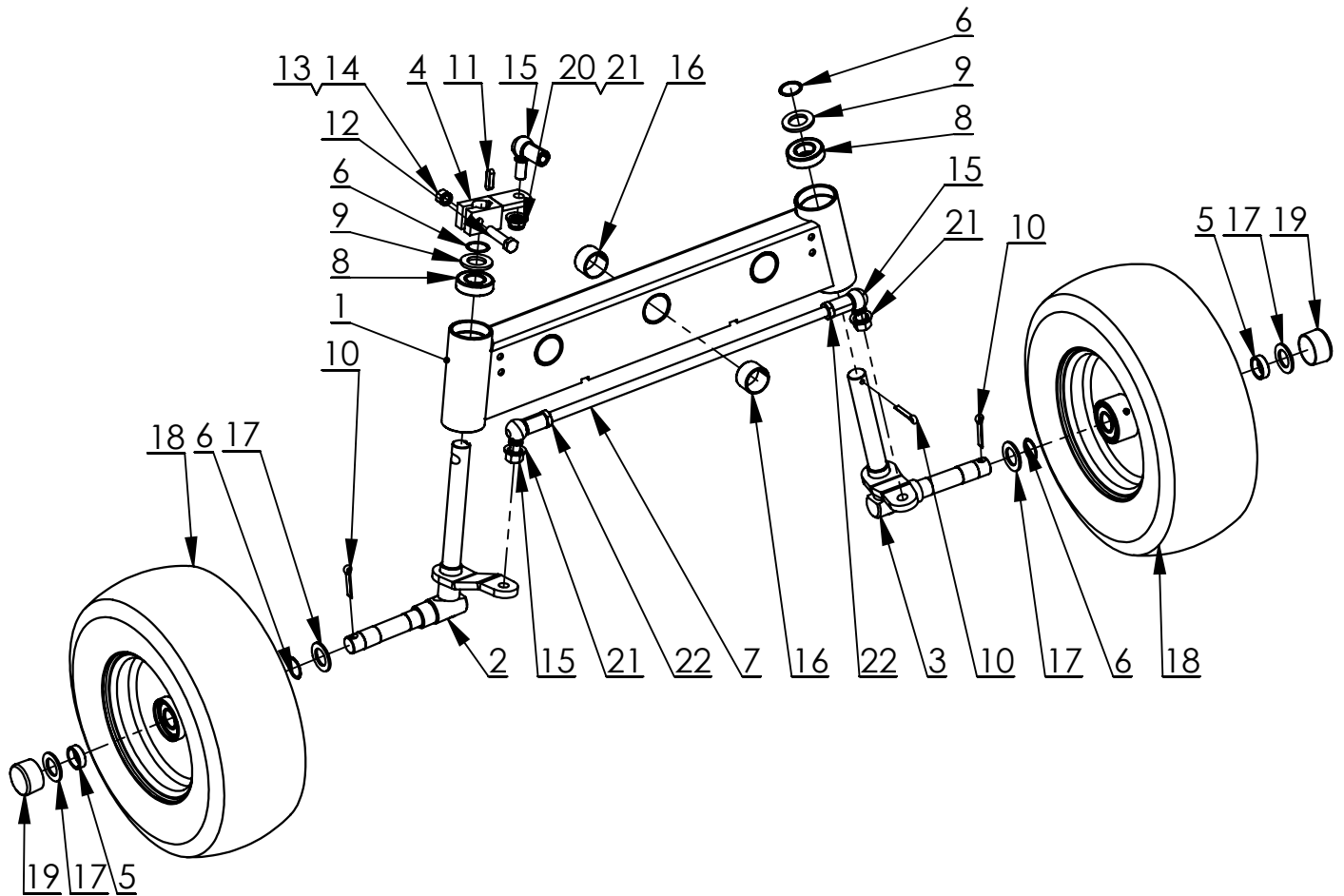
| Po. | Ob.č./No.O         | In | Název                    | Description             | ks |
|-----|--------------------|----|--------------------------|-------------------------|----|
| 1   | SESTAVA/ASSEMBLY 1 |    | NAPRAVA PREDNI           | FRONT AXLE              | 1  |
| 2   | E6654              |    | CEP NAPRAVY              | AXLE PIN                | 1  |
| 3   | E6655              |    | PRILOZKA                 | HOLDER                  | 1  |
| 4   | 693919             |    | MAZACI HLAVICE PLOCHA M6 | GREASE NIPPLE M6        | 1  |
| 5   | SESTAVA/ASSEMBLY 2 |    | OVLADANI BRZD            | BRAKE CONTROL           | 1  |
| 6   | 067340             |    | SROUB M10X25             | BOLT M10X25             | 1  |
| 7   | 070504             |    | PODLOZKA 10,5            | WASHER 10,5             | 1  |
| 8   | 596163             |    | MATICE M10               | NUT M10                 | 1  |
| 9   | 024931             |    | PODLOZKA M10             | WASHER M10              | 1  |
| 10  | 107400             |    | MATICE M12               | NUT M12                 | 2  |
| 11  | 027776             |    | PODLOZKA M12             | WASHER M12              | 2  |
| 12  | 041805             |    | SROUB M12X90             | BOLT M12X90             | 2  |
| 13  | 070511             |    | PODLOZKA 13              | WASHER 13               | 2  |
| 14  | SESTAVA/ASSEMBLY 3 |    | PALIVOVA NADRZ           | FUEL TANK               | 1  |
| 15  | 664284             |    | SROUB M8X18              | BOLT M8x18              | 6  |
| 16  | 041040             |    | PODLOZKA M8              | WASHER M8               | 10 |
| 17  | 071226             |    | PODLOZKA 8,4             | WASHER 8,4              | 6  |
| 18  | SESTAVA/ASSEMBLY 4 |    | ELEKTROVÝZBROJ           | ELETRICAL SYSTEM        | 1  |
| 19  | SESTAVA/ASSEMBLY 5 |    | TUNEL; CISTICI Klapka    | CHUTE; CLEANING SHUTTER | 1  |
| 20  | SESTAVA/ASSEMBLY 6 |    | OVLADANI POJEZDU         | CONTROL TRAVEL          | 1  |
| 21  | SESTAVA/ASSEMBLY 7 |    | ZVEDANI SEKACKY          | DECK LIFT               | 1  |
| 22  | SESTAVA/ASSEMBLY 8 |    | HYDRAULIKA W3674         | HYDRAULICS W3674        | 1  |
| 23  | SESTAVA/ASSEMBLY 9 |    | MOTOR KAWASAKI           | KAWASAKI ENGINE         | 1  |
| 24  | E9506              |    | ZADNI KRYT               | REAR COVER              | 1  |

**W3674****EB400-a; EB410-a ZACI STROJ W3674  
EB420-a; EB430-a LAWN TRACTOR E3674**

| Po. | Ob.č./No.O          | In | Název                     | Description          | ks |
|-----|---------------------|----|---------------------------|----------------------|----|
| 25  | 454951              |    | SROUB 4,8X13              | BOLT 4,8x13          | 23 |
| 26  | 080112              |    | VOLANT                    | STEERING WHEEL       | 1  |
| 27  | 041687              |    | PODLOZKA M16              | WASHER M16           | 1  |
| 28  | 150112              |    | MATICE 5/8 UNF            | NUT 5/8 UNF          | 1  |
| 29  | E1068               |    | KRYT HADIC                | COVER HOSE           | 1  |
| 30  | 276700              |    | PODLOZKA 6                | WASHER 6             | 2  |
| 31  | 070805              |    | PODLOZKA 6,4              | WASHER 6,4           | 2  |
| 32  | 067242              |    | SROUB M6X16               | BOLT M6x16           | 4  |
| 33  | E2365               |    | BLATNIK LEVY              | FENDER LEFT          | 1  |
| 34  | SESTAVA/ASSEMBLY 10 |    | BLATNIK PRAVY             | FENDER RIGHT         | 1  |
| 35  | E8371               |    | KRYT NADRZE               | TANK COVER           | 1  |
| 36  | E8673               | -a | TRUBKA                    | PIPE                 | 1  |
| 37  | E1925               | -a | TYCKA CISTENI             | CLEANING STICK       | 1  |
| 38  | E8567               |    | UZAVERA CISTICE           | CLEANER CAP          | 1  |
| 39  | E8566               |    | ZATKA AUTOMATIKY          | STOPPLE              | 1  |
| 40  | 116765              |    | SPONA HADICOVA W2 20-32mm | HOSE CLIP W2 20-32mm | 2  |
| 41  | 070812              |    | PODLOZKA 8,4              | WASHER 8,4           | 1  |
| 42  | 070462              |    | PODLOZKA 4,3              | WASHER 4,3           | 4  |
| 43  | 191009              |    | SROUB M6X16               | BOLT M6X16           | 3  |
| 44  | 596142              |    | MATICE M8                 | NUT M8               | 3  |
| 45  | 069141              |    | MATICE M4                 | NUT M4               | 4  |
| 46  | Y0795               |    | HADICE L=230              | HOSE                 | 1  |
| 47  | PM017               |    | KRYT SNIMACE KOSE         | SENSOR COVER         | 1  |
| 48  | E2259               |    | MADLO L                   | HANDLE L             | 1  |
| 49  | E2260               |    | MADLO P                   | HANDLE R             | 1  |
| 50  | 067291              |    | SROUB M8X20               | BOLT M8X20           | 2  |
| 51  | E9067               |    | KRYT FILTRU               | COVER FILTER         | 1  |
| 52  | 301009              |    | SPONA HADICOVA W2 70-90mm | HOSE CLIP 70-90mm    | 2  |
| 53  | E9021               | -a | KRYT VENTILATORU          | COVER VENTILATOR     | 1  |
| 54  | E8362               | -a | KRYT VENTILATORU          | FAN COVER            | 1  |
| 55  | 071205              |    | PODLOZKA 5,3              | WASHER 5,3           | 2  |
| 56  | 580792              |    | SROUB M5X16               | BOLT M5X16           | 2  |
| 57  | SESTAVA/ASSEMBLY 11 |    | SEDAKA                    | SEAT                 | 1  |
| 58  | SESTAVA/ASSEMBLY 12 |    | KAPOTA UPLNA              | COMPLETE HOOD        | 1  |
| 59  | PM013               |    | KRYT BATERIE              | BATTERY COVER        | 1  |
| 60  | 251009              |    | MATICE PLAST.HLAVA        | STAR KNOB            | 1  |
| 61  | E1084               |    | PRILOZKA                  | HOLDER               | 2  |
| 62  | 310606A             |    | KOLO 23X8,5-12 4PR        | WHEEL 23x8,5         | 2  |
| 63  | 041818A             |    | MATICE KOL                | WHEEL NUT            | 8  |
| 64  | EA231               |    | KRYT REMENE KWS           | BELT COVER           | 1  |
| 65  | EA388               |    | CEP KRYTU                 | HOUSING PIN          | 1  |
| 66  | E1797               |    | POUZDRO KRYTU             | COVER CASE           | 1  |
| 67  | 151517              |    | SROUB M6X12               | BOLT M6x12           | 1  |
| 68  | 071212              |    | PODLOZKA 6,4              | WASHER 6,4           | 1  |
| 69  | 041783              |    | PODLOZKA M6               | WASHER M6            | 2  |
| 70  | 596275              |    | MATICE M6                 | NUT M6               | 2  |
| 71  | SESTAVA/ASSEMBLY 13 |    | POJISTNI SADA KLAPKY      | LOCKING KIT          | 1  |
| 72  | 010906A             |    | REMEN NAHONU ZACI LISTY   | DECK BELT            | 1  |

W3674

EB400-α; EB410-α NAPRAVA PREDNI  
EB420-α; EB430-α FRONT AXLE


**WISCONSIN  
ENGINEERING**
**SESTAVA  
ASSEMBLY 1**


| Po. | Ob.č./No.O | In | Název               | Description         | ks |
|-----|------------|----|---------------------|---------------------|----|
| 1   | E1251      | -b | NAPRAVA PREDNI      | FRONT AXLE          | 1  |
| 2   | E8194      | -a | CEP LEVY            | LEFT PIN            | 1  |
| 3   | E8193      | -a | CEP PRAVY           | RIGHT PIN           | 1  |
| 4   | E1057      |    | PAKA RIZENI         | STEERING LEVER      | 1  |
| 5   | E6897      |    | DISTANCI KROUZEK    | SPACING RING        | 2  |
| 6   | E1118      |    | VYMEZOVACI PODLOZKA | SPACING RING        | 4  |
| 7   | E6682      | -a | SPOJOVACI TYC       | CONNECTION ROD      | 1  |
| 8   | 089931     |    | LOZISKO NAPRAVY     | AXLE BEARING        | 4  |
| 9   | 070574     |    | PODLOZKA 26         | WASHER 26           | 2  |
| 10  | 072830     |    | ZAVLACKA 6,3x36     | COTTER PIN 6,3x36   | 3  |
| 11  | 150815     |    | PERO 8x7x30         | PARALLEL KEY 8x7x30 | 1  |
| 12  | 117403     |    | SROUB M12X50        | BOLT M12X50         | 1  |
| 13  | 071555     |    | PODLOZKA 12         | SPRING WASHER 12    | 1  |
| 14  | 070105     |    | MATICE M12          | NUT M12             | 1  |
| 15  | 040334     |    | KULOVY CEP          | BALL JOINT          | 3  |
| 16  | 220393     |    | KLUZNE POUZDRO      | BUSHING             | 2  |
| 17  | EB227      |    | PODLOZKA KRYTKY     | WASHER              | 4  |
| 18  | 300606A    |    | KOLO 16X6,50-8 4PR  | WHEEL 16X6,50-8 PR  | 2  |
| 19  | 005696A    |    | KRYTKA              | COVER               | 2  |
| 20  | 150515     |    | MATICE M14x1,5      | NUT M14x1,5         | 1  |
| 21  | 280115     |    | PODLOZKA M14        | WASHER M14          | 3  |
| 22  | 069603     |    | MATICE M14X1,5      | NUT M14X1,5         | 2  |

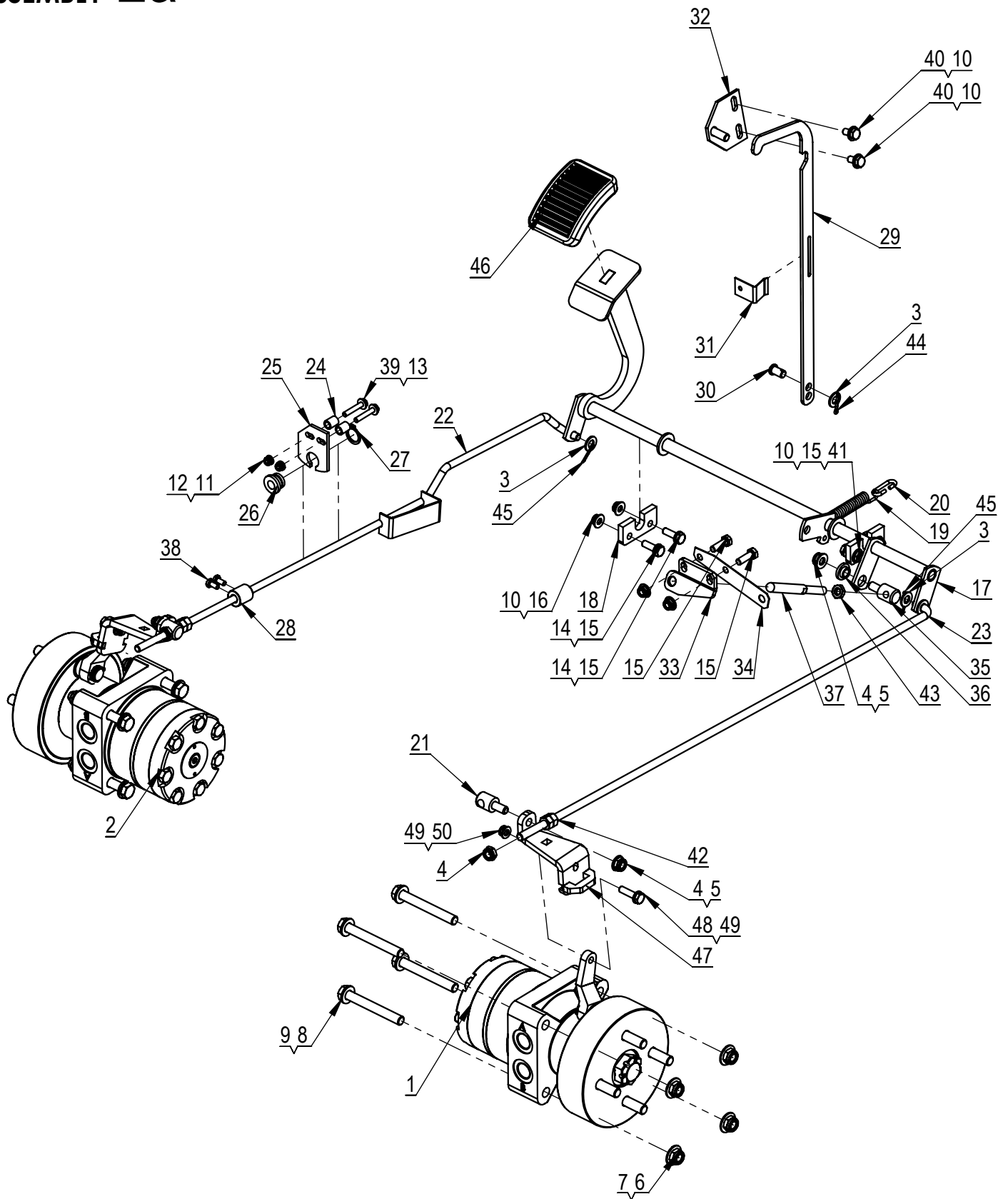
W3674

EB400-a  
EB410-a

OVLADANI BRZD  
BRAKE CONTROL



SESTAVA  
ASSEMBLY 2a



**W3674****EB400-a  
EB410-a****OVLADANI BRZD  
BRAKE CONTROL**

| Po. | Ob.č./No.O | In | Název                     | Description       | ks |
|-----|------------|----|---------------------------|-------------------|----|
| 1   | PM035      |    | UPRAVA MOTORU M+S - PRAVY | HYDROMOTOR        | 1  |
| 2   | PM034      |    | UPRAVA MOTORU M+S - LEVY  | HYDROMOTOR        | 1  |
| 3   | 070504     |    | PODLOZKA 10,5             | WASHER 10,5       | 3  |
| 4   | 596163     |    | MATICE M10                | NUT M10           | 5  |
| 5   | 024931     |    | PODLOZKA M10              | WASHER M10        | 3  |
| 6   | 107400     |    | MATICE M12                | NUT M12           | 8  |
| 7   | 027776     |    | PODLOZKA M12              | WASHER M12        | 8  |
| 8   | 070511     |    | PODLOZKA 13               | WASHER 13         | 8  |
| 9   | 012001     |    | SROUB M12X95              | BOLT M12x95       | 8  |
| 10  | 041040     |    | PODLOZKA M8               | WASHER M8         | 8  |
| 11  | 596275     |    | MATICE M6                 | NUT M6            | 2  |
| 12  | 070805     |    | PODLOZKA 6,4              | WASHER 6,4        | 2  |
| 13  | 041783     |    | PODLOZKA M6               | WASHER M6         | 2  |
| 14  | 070812     |    | PODLOZKA 8,4              | WASHER 8,4        | 4  |
| 15  | 067305     |    | SROUB M8X25               | BOLT M8x25        | 6  |
| 16  | 596142     |    | MATICE M8                 | NUT M8            | 5  |
| 17  | E2177      | -b | PAKA BRZDY                | BRAKE ARM         | 1  |
| 18  | E9503      |    | PRILOZKA                  | INSERT            | 2  |
| 19  | 008051     |    | VRATNA PRUZINA BRZDY      | SPRING            | 1  |
| 20  | D5043      |    | HACEK                     | HOOK              | 1  |
| 21  | D0039      |    | CEP                       | PIN               | 2  |
| 22  | E9965      |    | TAHLO BRZDY L             | BRAKE DRAW ROD L  | 1  |
| 23  | E9963      | -b | TAHLO BRZDY P             | BRAKE DRAW ROD R  | 1  |
| 24  | E9092      |    | ROZPERKA                  | SPACER            | 2  |
| 25  | E9093      |    | DRZAK POUZDRA             | BUSHING BRACKET   | 1  |
| 26  | E9094      |    | POUZDRO TAHLA             | BUSHING ROD       | 1  |
| 27  | 077546     |    | POJISTNY KROUZEK 20       | RETAINING RING 20 | 1  |
| 28  | E0923      |    | DORAZ BRZDY               | BRAKE STOPPER     | 1  |
| 29  | EA023      | -b | TAHLO                     | HANDBRAKE LEVER   | 1  |
| 30  | EB235      |    | CEP                       | PIN               | 1  |
| 31  | E2354      |    | PRITLACKA                 | BRACKET           | 1  |
| 32  | E1074      |    | DORAZ                     | STOPPER           | 1  |
| 33  | E2171      |    | VODITKO                   | GUIDE BRACKET     | 1  |
| 34  | E2046      |    | PRUZINA                   | SPRING            | 1  |
| 35  | E2175      |    | CEP                       | PIN               | 1  |
| 36  | E2465      |    | VLOZKA                    | BUSHING           | 1  |
| 37  | E2173      |    | ZAPADKA                   | RATCHET           | 1  |
| 38  | 094553     |    | SROUB M6X12               | BOLT M6X12        | 2  |
| 39  | 095282     |    | SROUB M6X35               | BOLT M6x32        | 2  |
| 40  | 062414     |    | SROUB M8X16               | BOLT M8X16        | 2  |
| 41  | 069442     |    | MATICE M8                 | NUT M8            | 1  |
| 42  | 070091     |    | MATICE M10                | NUT M10           | 4  |
| 43  | 120763     |    | MATICE M10                | NUT M10           | 1  |
| 44  | 072641     |    | ZAVLACKA 3,2X20           | COTTER PIN 3,2X20 | 1  |
| 45  | 072592     |    | ZAVLACKA 2,5X20           | COTTER PIN 2,5x20 | 2  |
| 46  | 052824     |    | POTAH PEDALU              | PEDAL COVER       | 1  |
| 47  | EB158      |    | RAMENO BRZDY HM M+S       | BRAKE ARM         | 2  |
| 48  | 067312     |    | SROUB M8X30               | BOLT M8X30        | 2  |
| 49  | 070812     |    | PODLOZKA 8,4              | WASHER 8,4        | 4  |
| 50  | 596142     |    | MATICE M8                 | NUT M8            | 2  |

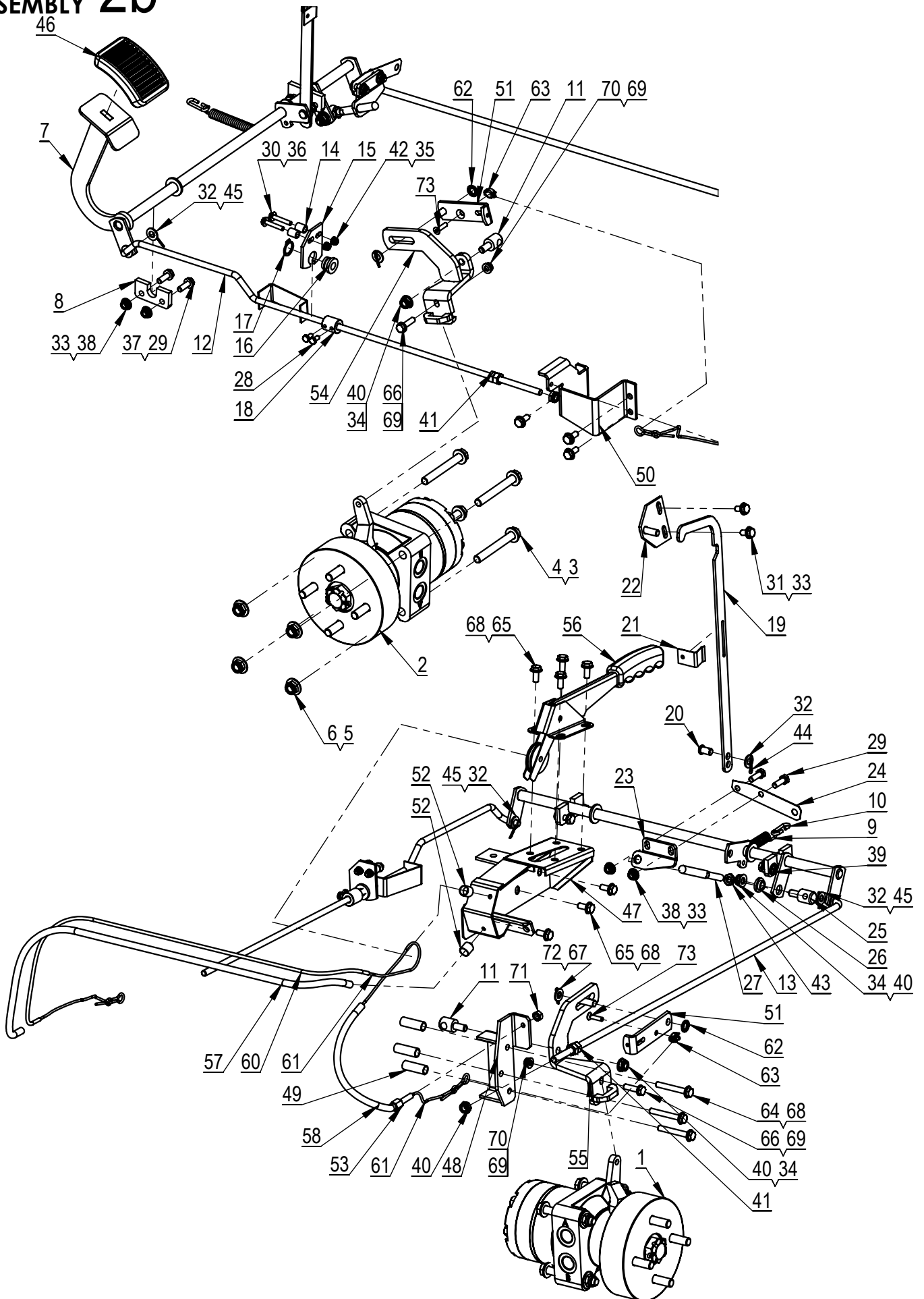
W3674

EB420-a  
EB430-a

OVLADANI BRZD  
BRAKE CONTROL



SESTAVA  
ASSEMBLY 2b



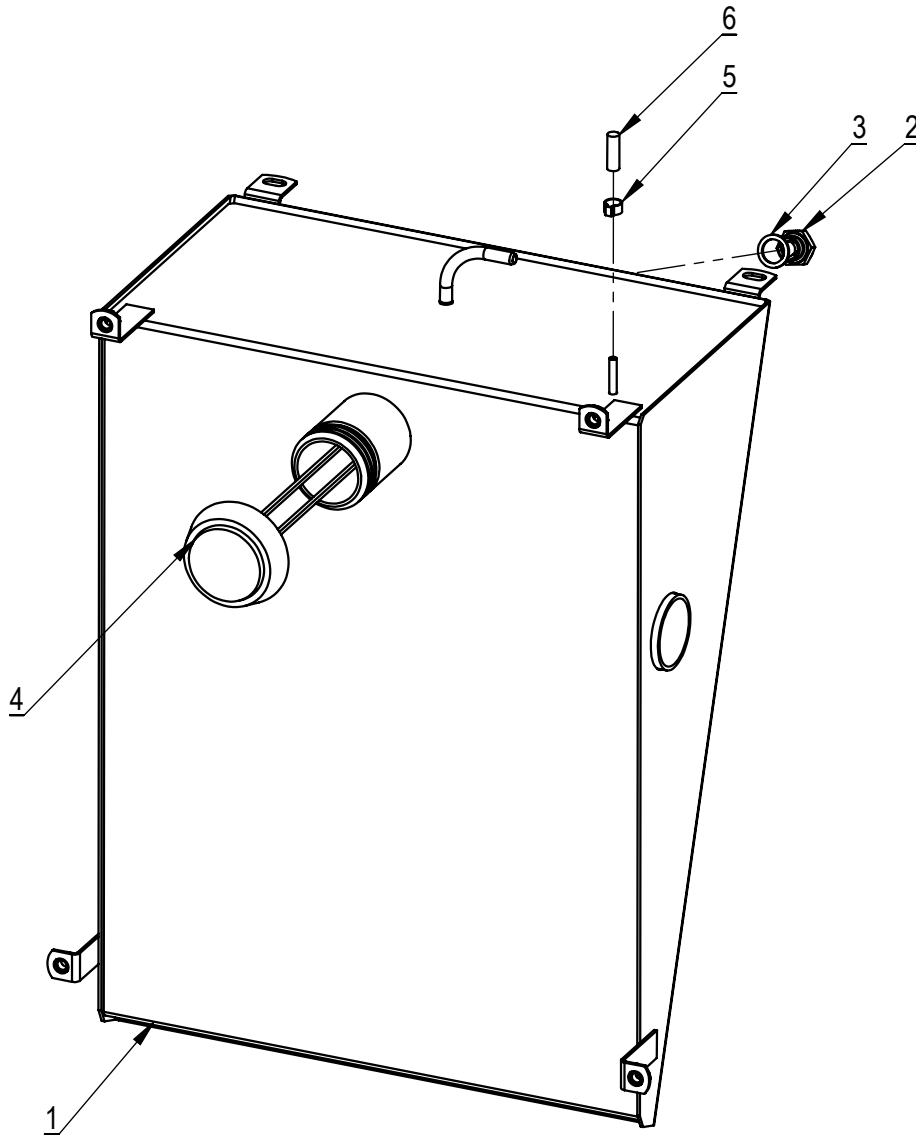
**W3674****EB420-a  
EB430-a****OVLADANI BRZD  
BRAKE CONTROL**

| Po. | Ob.č./No.O | In | Název                          | Description          | ks |
|-----|------------|----|--------------------------------|----------------------|----|
| 1   | PM035      |    | UPRAVA MOTORU M+S - PRAVY      | HYDROMOTOR           | 1  |
| 2   | PM034      |    | UPRAVA MOTORU M+S - LEVY       | HYDROMOTOR           | 1  |
| 3   | 070511     |    | PODLOZKA 13                    | WASHER 13            | 8  |
| 4   | 012001     |    | SROUB M12X95                   | BOLT M12x95          | 8  |
| 5   | 027776     |    | PODLOZKA M12                   | WASHER M12           | 8  |
| 6   | 107400     |    | MATICE M12                     | NUT M12              | 8  |
| 7   | E2177      | -b | PAKA BRZDY                     | BRAKE ARM            | 1  |
| 8   | E9503      |    | PRILOZKA                       | INSERT               | 2  |
| 9   | 008051     |    | VRATNA PRUZINA BRZDY           | SPRING               | 1  |
| 10  | D5043      |    | HACEK                          | HOOK                 | 1  |
| 11  | D0039      |    | CEP                            | SHAFT                | 2  |
| 12  | E9965      |    | TAHLO BRZDY L                  | BRAKE DRAW ROD L     | 1  |
| 13  | E9963      | -b | TAHLO BRZDY P                  | BRAKE DRAW ROD R     | 1  |
| 14  | E9092      |    | ROZPERKA                       | SPACER               | 2  |
| 15  | E9093      |    | DRZAK POUZDRA                  | BUSHING BRACKET      | 1  |
| 16  | E9094      |    | POUZDRO TAHLA                  | BUSHING ROD          | 1  |
| 17  | 077546     |    | POJISTNY KROUZEK 20            | RETAINING RING 20    | 1  |
| 18  | E0923      |    | DORAZ BRZDY                    | BRAKE STOPPER        | 1  |
| 19  | EA023      | -b | TAHLO                          | HANDBRAKE LEVER      | 1  |
| 20  | EB235      |    | CEP                            | PIN                  | 1  |
| 21  | E2354      |    | PRITLACKA                      | BRACKET              | 1  |
| 22  | E1074      |    | DORAZ                          | STOPPER              | 1  |
| 23  | E2171      |    | VODITKO                        | GUIDE BRACKET        | 1  |
| 24  | E2046      |    | PRUZINA                        | SPRING               | 1  |
| 25  | E2175      |    | CEP                            | PIN                  | 1  |
| 26  | E2465      |    | VLOZKA                         | BUSHING              | 1  |
| 27  | E2173      |    | ZAPADKA                        | RATCHET              | 1  |
| 28  | 094553     |    | SROUB M6X12                    | BOLT M6X12           | 2  |
| 29  | 067305     |    | SROUB M8X25                    | BOLT M8X25           | 6  |
| 30  | 095282     |    | SROUB M6X35                    | BOLT M6x32           | 2  |
| 31  | 062414     |    | SROUB M8X16                    | BOLT M8X16           | 2  |
| 32  | 070504     |    | PODLOZKA 10,5                  | WASHER 10,5          | 3  |
| 33  | 041040     |    | PODLOZKA M8                    | WASHER M8            | 8  |
| 34  | 024931     |    | PODLOZKA M10                   | WASHER M10           | 3  |
| 35  | 070805     |    | PODLOZKA 6,4                   | WASHER 6,4           | 2  |
| 36  | 041783     |    | PODLOZKA M6                    | WASHER M6            | 2  |
| 37  | 070812     |    | PODLOZKA 8,4                   | WASHER 8,4           | 4  |
| 38  | 596142     |    | MATICE M8                      | NUT M8               | 5  |
| 39  | 069442     |    | MATICE M8                      | NUT M8               | 1  |
| 40  | 596163     |    | MATICE M10                     | NUT M10              | 5  |
| 41  | 070091     |    | MATICE M10                     | NUT M10              | 4  |
| 42  | 596275     |    | MATICE M6                      | NUT M6               | 2  |
| 43  | 120763     |    | MATICE M10                     | NUT M10              | 1  |
| 44  | 072641     |    | ZAVLACKA 3,2X20                | COTTER PIN 3,2X20    | 1  |
| 45  | 072592     |    | ZAVLACKA 2,5X20                | COTTER PIN 2,5x20    | 2  |
| 46  | 052824     |    | POTAH PEDALU                   | PEDAL COVER          | 1  |
| 47  | EA148      |    | KONZOLA PARKOVACI BRZDY        | PARKING BRAKE HOLDER | 1  |
| 48  | EA144      |    | DRZAK LANKA P                  | CABLE HOLDER R       | 1  |
| 49  | EA147      |    | ROZPERKA                       | SPACER               | 3  |
| 50  | EA142      | -a | DRZAK LANKA                    | CABLE HOLDER         | 1  |
| 51  | EA164      |    | DRZAK LANKA                    | CABLE HOLDER         | 2  |
| 52  | B5979      |    | POUZDRO                        | BUSHING              | 3  |
| 53  | B5537      |    | SROUB                          | BOLT                 | 1  |
| 54  | EB320      |    | SVARENEC L RUC.BRZDY M+S       | BRAKE ARM L          | 1  |
| 55  | EB204      |    | SVAR.RAMENE RUCNI BRZDY HM M+S | BRAKE ARM P          | 1  |
| 56  | 170551     |    | PAKA RUCNI BRZDY 12698         | PARKING BRAKE        | 1  |
| 57  | Y3102      |    | BOWDEN L=965                   | BOWDEN 965           | 1  |
| 58  | Y3104      |    | BOWDEN L=380                   | BOWDEN 380           | 1  |

**W3674****EB420-a  
EB430-a****OVLADANI BRZD  
BRAKE CONTROL**

| Po. | Ob.č./No.O | In | Název                         | Description       | ks |
|-----|------------|----|-------------------------------|-------------------|----|
| 59  | Y3105      |    | BOWDEN VLOZKA L=380           | BOWDEN INSERT 380 | 1  |
| 60  | Y3103      |    | BOWDEN VLOZKA L=980           | BOWDEN INSERT 980 | 1  |
| 61  | Y3101      |    | LANKO L=2290                  | CABLE 2290        | 1  |
| 62  | 170725     |    | PODLOZKA POJ. PRO HRID. 10 mm | WASHER            | 2  |
| 63  | 270606     |    | LANOVA SVORKA 3,15            | CABLE CLAMP       | 2  |
| 64  | 012602     |    | SROUB M8X60                   | BOLT M8x60        | 3  |
| 65  | 067291     |    | SROUB M8X20                   | BOLT M8X20        | 10 |
| 66  | 067312     |    | SROUB M8X30                   | BOLT M8X30        | 2  |
| 67  | 070504     |    | PODLOZKA 10,5                 | WASHER 10,5       | 2  |
| 68  | 041040     |    | PODLOZKA M8                   | WASHER M8         | 13 |
| 69  | 070812     |    | PODLOZKA 8,4                  | WASHER 8,4        | 4  |
| 70  | 596142     |    | MATICE M8                     | NUT M8            | 2  |
| 71  | 070084     |    | MATICE M8                     | NUT M8            | 1  |
| 72  | 072634     |    | ZAVLACKA 3,2X18               | COTTER PIN 3,2X18 | 2  |
| 73  | 074700     |    | SROUB M6X25                   | BOLT M6X16        | 2  |

W3674

EB400-α; EB410-α  
EB420-α; EB430-αPALIVOVA NADRZ  
FUEL TANKSESTAVA  
ASSEMBLY 3

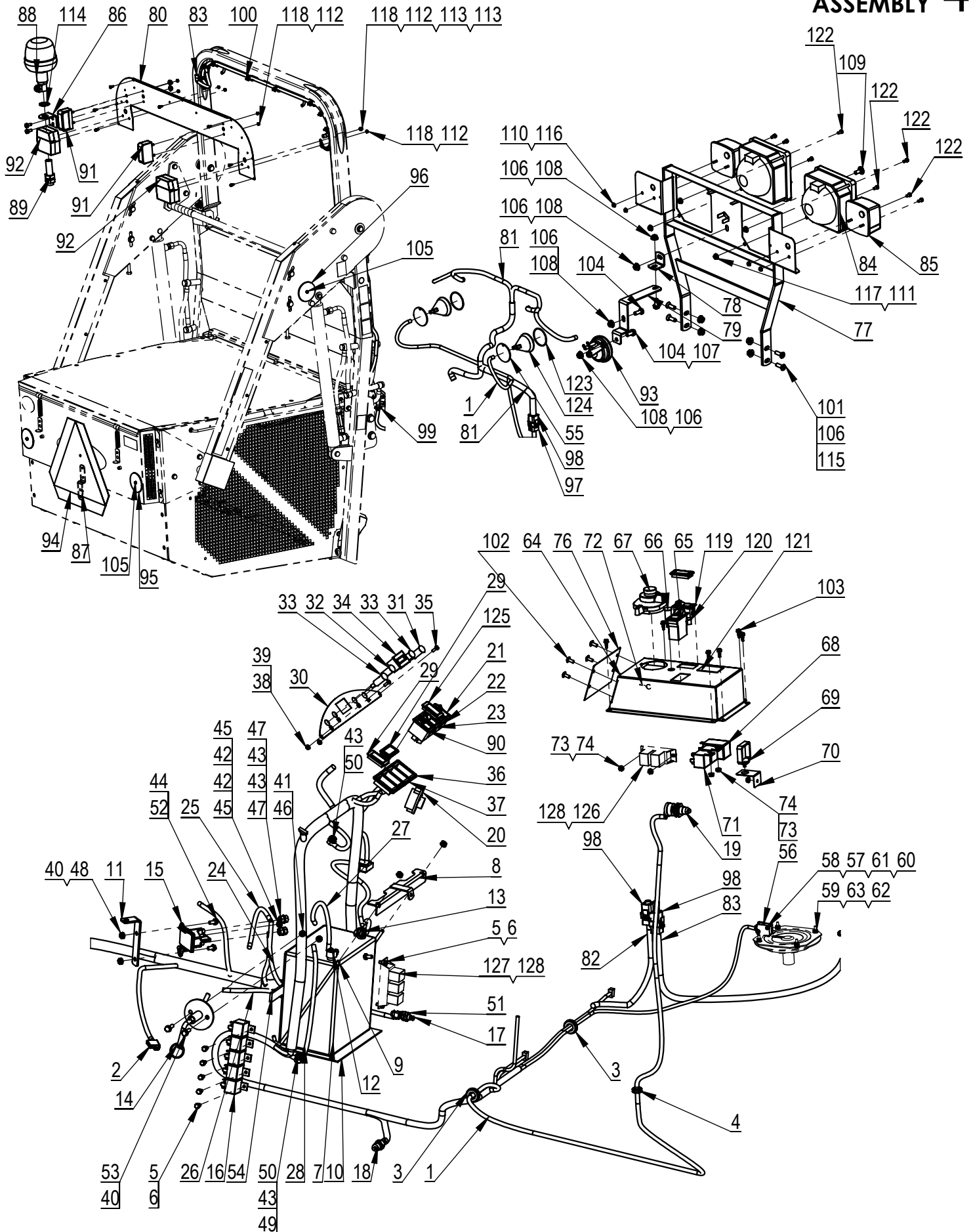
| Po. | Ob.č./No.O | In | Název                  | Description      | ks |
|-----|------------|----|------------------------|------------------|----|
| 1   | E8129      |    | PALIVOVA NADRZ         | FUEL TANK        | 1  |
| 2   | 085734     |    | ZATKA M16X1,5 - MAGNET | MAGNETIC STOPPER | 1  |
| 3   | 088124     |    | TESNICI KROUZEK 16     | SEALING RING 16  | 1  |
| 4   | 022612     |    | PALIVOMER KELCH 9,75"  | FUEL GAUGE       | 1  |
| 5   | 250612     |    | SPONA HADICOVA 8-10    | HOSE CLAMP       | 1  |
| 6   | 170112     |    | UZAVER UNIKANI PALIVA  | FUEL LEAK CAP    | 1  |

W3674

EB400-a; EB410-a ELEKTROVYZBROJ  
EB420-a; EB430-a ELECTRICAL SYSTEM



SESTAVA 4  
ASSEMBLY 4



**W3674**
**EB400-a; EB410-a ELEKTROVYZBROJ**  
**EB420-a; EB430-a ELECTRICAL SYSTEM**

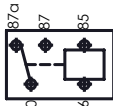
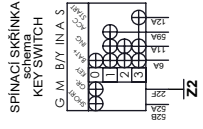
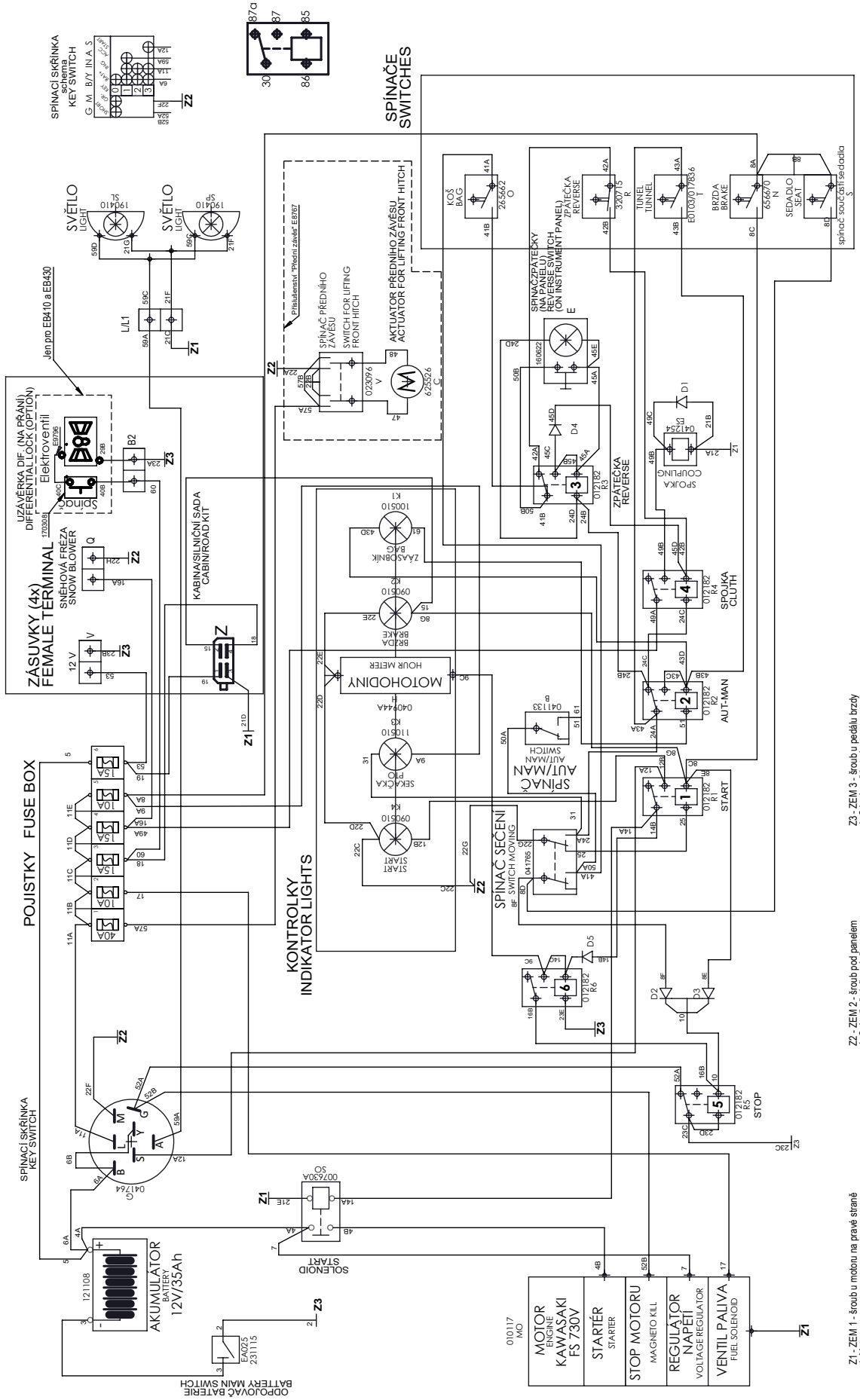

| Po. | Ob.č./No.O | In | Název                      | Description            | ks | EB400 | EB410 | EB420 | EB30 |
|-----|------------|----|----------------------------|------------------------|----|-------|-------|-------|------|
| 1   | EA778N     |    | SVAZEK VODICU W3674 CE     | BUNDLE OF WIRES        | 1  | 0     | 0     | 0     | 0    |
| 2   | 160503     |    | KONEKTOR DELPHI            | DELPHI CONNECTOR       | 1  | 0     | 0     | 0     | 0    |
| 3   | 052530     |    | PRUCHODKA 15x4             | GROMMET                | 2  | 0     | 0     | 0     | 0    |
| 4   | 614661     |    | PRUCHODKA 11X4             | GROMMET                | 1  | 0     | 0     | 0     | 0    |
| 5   | 662441     |    | SROUB M5X12                | BOLT M5X12             | 7  | 0     | 0     | 0     | 0    |
| 6   | 070476     |    | PODLOZKA 5,3               | WASHER 5,3             | 7  | 0     | 0     | 0     | 0    |
| 7   | 121108     |    | AKUMULATOR 12V 35Ah        | BATTERY 12V 35Ah       | 1  | 0     | 0     | 0     | 0    |
| 8   | E9065      |    | PRICHYTKA BATERIE          | BATTERY HOLDER         | 1  | 0     | 0     | 0     | 0    |
| 9   | E8271      | -a | TAHLO BATERKY              | BATTERY PULL           | 2  | 0     | 0     | 0     | 0    |
| 10  | E8487      |    | PODLOZKA BATERIE           | WASHER BATTERY         | 1  | 0     | 0     | 0     | 0    |
| 11  | EA155      |    | DRZAK SOLENOIDU            | SOLENOID HOLDER        | 1  | 0     | 0     | 0     | 0    |
| 12  | E2087      |    | SVORKA BATERIE -           | BATTERY CLAMP -        | 1  | 0     | 0     | 0     | 0    |
| 13  | E2086      |    | SVORKA BATERIE +           | BATTERY CLAMP +        | 1  | 0     | 0     | 0     | 0    |
| 14  | EA025      |    | ODPOJOVAC BATERIE UPRAVA   | BATTERY DISCONNECTOR   | 1  | 0     | 0     | 0     | 0    |
| 15  | 007630A    |    | SOLENOID                   | SOLENOID               | 1  | 0     | 0     | 0     | 0    |
| 16  | 012182     |    | RELE                       | RELAY                  | 5  | 0     | 0     | 0     | 0    |
| 17  | 320715     |    | SPINAC ZPATECKY            | REVERSE SWITCH         | 1  | 0     | 0     | 0     | 0    |
| 18  | 656670     |    | SPINAC BRZDY               | BRAKE SWITCH           | 1  | 0     | 0     | 0     | 0    |
| 19  | 265662     |    | SPINAC KOSE                | BASKET SWITCH          | 1  | 0     | 0     | 0     | 0    |
| 20  | 041764     |    | SPINACI SKRINKA            | SWITCHBOX              | 1  | 0     | 0     | 0     | 0    |
| 21  | 041765     |    | SPINAC SEKACKA             | SWITCH MOWER           | 1  | 0     | 0     | 0     | 0    |
| 22  | 041133     |    | SPINAC AUT-MAN             | SWITCH AUT-MAN         | 1  | 0     | 0     | 0     | 0    |
| 23  | 160622     |    | SPINAC SECENI VZAD         | REVERSE CUT SWITCH     | 1  | 0     | 0     | 0     | 0    |
| 24  | 250118     |    | KABEL BATERIE              | BATTERY CABLE          | 1  | 0     | 0     | 0     | 0    |
| 25  | 260118     |    | KABEL STARTERU             | STARTER CABLE          | 1  | 0     | 0     | 0     | 0    |
| 26  | 270118     |    | KABEL ZEMNICI MOTOR        | GROUDING CABLE         | 1  | 0     | 0     | 0     | 0    |
| 27  | 240118     |    | KABEL ZEMNICI BATERIE      | GROUD CABLE            | 1  | 0     | 0     | 0     | 0    |
| 28  | 265672     |    | KABEL ZEMNICI ODPOJOVAC    | GROUD CABLE            | 1  | 0     | 0     | 0     | 0    |
| 29  | 321151     |    | ZASLEPKA                   | COVER                  | 2  | 0     | 0     | 0     | 0    |
| 30  | E4079      |    | DRZAK KONTROLEK SE SYMBOLY | INDICATOR LIGHT HOLDER | 1  | 0     | 0     | 0     | 0    |
| 31  | 100510     |    | KONTROLKA ZELENA           | INDICATOR LIGHT GREEN  | 1  | 0     | 0     | 0     | 0    |
| 32  | 110510     |    | KONTROLKA ORANZOVA         | INDICATOR LIGHT ORANGE | 1  | 0     | 0     | 0     | 0    |
| 33  | 090510     |    | KONTROLKA CERVENA          | INDICATOR LIGHT RED    | 2  | 0     | 0     | 0     | 0    |
| 34  | 040944A    |    | POCITADLO MOTOHODIN        | ENGINE HOUR METER      | 1  | 0     | 0     | 0     | 0    |
| 35  | 180408     |    | SROUB M4X12                | BOLT M4x12             | 2  | 0     | 0     | 0     | 0    |
| 36  | 321305     |    | RAMECEK KRAJNI             | EDGE FRAME             | 2  | 0     | 0     | 0     | 0    |
| 37  | 321480     |    | RAMECEK STREDNI            | MEDIUM FRAME           | 2  | 0     | 0     | 0     | 0    |
| 38  | 069141     |    | MATICE M4                  | NUT M4                 | 2  | 0     | 0     | 0     | 0    |
| 39  | 070462     |    | PODLOZKA 4,3               | WASHER 4,3             | 2  | 0     | 0     | 0     | 0    |
| 40  | 070805     |    | PODLOZKA 6,4               | WASHER 6,4             | 6  | 0     | 0     | 0     | 0    |
| 41  | 280308     |    | PODLOZKA M6 SCHNORR S/FSt  | WASHER M6              | 2  | 0     | 0     | 0     | 0    |
| 42  | 071674     |    | PODLOZKA 5,3               | WASHER 5,3             | 2  | 0     | 0     | 0     | 0    |
| 43  | 071695     |    | PODLOZKA 8,4               | WASHER 8,4             | 10 | 0     | 0     | 0     | 0    |
| 44  | 071681     |    | PODLOZKA 6,4               | WASHER 6,4             | 3  | 0     | 0     | 0     | 0    |
| 45  | 111110     |    | MATICE 10-32 UNF (nízká)   | NUT 10-32 UNF          | 2  | 0     | 0     | 0     | 0    |
| 46  | 596275     |    | MATICE M6                  | NUT M6                 | 2  | 0     | 0     | 0     | 0    |
| 47  | 101110     |    | MATICE 5/16-24 UNF         | NUT 5/16-24 UNF        | 4  | 0     | 0     | 0     | 0    |
| 48  | 590025     |    | MATICE M6                  | NUT M6                 | 4  | 0     | 0     | 0     | 0    |
| 49  | 070084     |    | MATICE M8                  | NUT M8                 | 3  | 0     | 0     | 0     | 0    |
| 50  | 596142     |    | MATICE M8                  | NUT M8                 | 3  | 0     | 0     | 0     | 0    |
| 51  | 535906     |    | MATICE M10X1               | NUT M10x1              | 2  | 0     | 0     | 0     | 0    |

**W3674**
**EB400-a; EB410-a ELEKTROVYZBROJ**  
**EB420-a; EB430-a ELECTRICAL SYSTEM**


| Po. | Ob.c./No.O | In | Název                            | Description               | ks | EB400 | EB410 | EB420 | EB30 |
|-----|------------|----|----------------------------------|---------------------------|----|-------|-------|-------|------|
| 52  | 475700     |    | SROUB M6X12                      | BOLT M6x12                | 2  | 0     | 0     | 0     | 0    |
| 53  | 431736     |    | SROUB M6X20                      | BOLT M6x20                | 2  | 0     | 0     | 0     | 0    |
| 54  | Y1139      |    | PASEK BATERKY L=270              | BATTERY STRIP             | 1  | 0     | 0     | 0     | 0    |
| 55  | EA997      |    | ZASLEPKA SVETLA                  | LIGHT BLIND               | 2  |       |       | 0     | 0    |
| 56  | E0103      |    | MIKROSPINAC                      | MICROSWITCH               | 1  | 0     | 0     | 0     | 0    |
| 57  | 063962     |    | SROUB M3X16                      | BOLT M3x16                | 2  | 0     | 0     | 0     | 0    |
| 58  | 069134     |    | MATICE M3                        | NUT M3                    | 2  | 0     | 0     | 0     | 0    |
| 59  | 069141     |    | MATICE M4                        | NUT M4                    | 4  | 0     | 0     | 0     | 0    |
| 60  | 288063     |    | PODLOZKA 3                       | WASHER 3                  | 2  | 0     | 0     | 0     | 0    |
| 61  | 310440     |    | PODLOZKA 3,2                     | WASHER 3,2                | 4  | 0     | 0     | 0     | 0    |
| 62  | 070462     |    | PODLOZKA 4,3                     | WASHER 4,3                | 16 | 0     | 0     | 0     | 0    |
| 63  | 279020     |    | PODLOZKA 4                       | WASHER 4                  | 4  | 0     | 0     | 0     | 0    |
| 64  | EA172      |    | PANEL SVETEL                     | SWITCH BOX COVER          | 1  |       |       | 0     | 0    |
| 65  | 041293     |    | SPINAC PREKLAPECI                | TILT SWITCH               | 1  |       |       | 0     | 0    |
| 66  | 100510     |    | KONTROLKA ZELENA                 | INDICATOR LIGHT GREEN     | 1  |       |       | 0     | 0    |
| 67  | 160609     |    | SPINAC KOMBINOVANY               | COMBI SWITCH              | 1  |       |       | 0     | 0    |
| 68  | 127581     |    | PRERUSOVAC AEV 3002              | INTERRUPTER SWITCH        | 1  |       |       | 0     | 0    |
| 69  | 001184     |    | DRZAK PRERUSOVACE                | INTERRUPTER SWITCH HOLDER | 1  |       |       | 0     | 0    |
| 70  | 53653      |    | DRZAK PRERUSOVACE                | INTERRUPTER SWITCH HOLDER | 1  |       |       | 0     | 0    |
| 71  | 012182     |    | RELE                             | RELAY                     | 2  |       |       | 0     | 0    |
| 72  | E2468      |    | SVAZEK SVETEL 3 W3686            | WIRE HARNESS 3            | 1  |       |       | 0     | 0    |
| 73  | 070476     |    | PODLOZKA 5,3                     | WASHER 5,3                | 7  |       |       | 0     | 0    |
| 74  | 069155     |    | MATICE M5                        | NUT M5                    | 8  |       |       | 0     | 0    |
| 75  | 071674     |    | PODLOZKA 5,3                     | WASHER 5,3                | 2  |       |       | 0     | 0    |
| 76  | E2157      |    | VIKO PANELU                      | COVER                     | 1  |       |       | 0     | 0    |
| 77  | EA107      |    | RAM SVETEL                       | LIGHTS FRAME              | 1  |       |       | 0     | 0    |
| 78  | EA152      |    | PRICHYTKA RAMU                   | BRACKET                   | 1  |       |       | 0     | 0    |
| 79  | EB059      |    | DRZAK RAMU SVETEL                | LIGHTS FRAME BRACKET      | 1  |       |       | 0     | 0    |
| 80  | EA123      |    | DRZAK ZADNICH SVETEL             | REAR LIGHT HOLDER         | 1  |       |       | 0     | 0    |
| 81  | EA215      |    | SVAZEK SVETEL 1                  | WIRE HARNESS 1            | 1  |       |       | 0     | 0    |
| 82  | E2467      |    | SVAZEK SVETEL 2                  | WIRE HARNESS 2            | 1  |       |       | 0     | 0    |
| 83  | E2469      |    | SVAZEK SVETEL 4                  | WIRE HARNESS 4            | 1  |       |       | 0     | 0    |
| 84  | 170552     |    | SVETLOMET SE ZAROVKOU            | HEADLIGHT WITH BULB       | 2  |       |       | 0     | 0    |
| 85  | 170552     |    | SVETLO PREDNI UNIVERZAL 09869    | UNIVERSAL HEADLIGHT       | 2  |       |       | 0     | 0    |
| 86  | E2349      |    | DRZAK MAJAKU                     | BEACON HOLDER             | 1  |       |       | 0     | 0    |
| 87  | EA158      |    | DRZAK VYSTR.TROJUHELNIKU         | WARNING TRIANGLE HOLDER   | 1  |       |       | 0     | 0    |
| 88  | 170550     |    | MAJAK LED 727463                 | LED BEACON                | 1  |       |       | 0     | 0    |
| 89  | 271108     |    | NASTRCNA TRUBKA PRO MAJAK 720043 | BEACON TUBE               | 1  |       |       | 0     | 0    |
| 90  | 041758B    |    | SPINAC MAJAKU                    | SWITCH                    | 1  |       |       | 0     | 0    |
| 91  | 156156     |    | OSVETLENI SPZ CERNE, 12V, MALE   | LICENSE PLATE LIGHT       | 2  |       |       | 0     | 0    |
| 92  | 130115     |    | SVETLO KON.3-KOMOROVÉ L/P E9     | TAIL LIGHT L/R            | 2  |       |       | 0     | 0    |
| 93  | 202951A    |    | HOUKACKA-KLAKSON T4144-75652     | HORN                      | 1  |       |       | 0     | 0    |
| 94  | 041441     |    | REFLEXNI TROJUHELNIK PVC - 365mm | WARNING TRIANGLE          | 1  |       |       | 0     | 0    |
| 95  | 088712     |    | ODRAZKA 80 CERVENA               | REFLECTING LIGHT RED      | 2  |       |       | 0     | 0    |
| 96  | 088733     |    | ODRAZKA 80 ORANZOVA              | REFLECTING LIGHT ORANGE   | 2  |       |       | 0     | 0    |
| 97  | 270707     |    | ZASUVKA 9.POL                    | SOCKET                    | 3  |       |       | 0     | 0    |
| 98  | 280707     |    | VIDLICE 9.POL                    | PLUG                      | 3  |       |       | 0     | 0    |
| 99  | 052502     |    | PRUCHODKA 15x2                   | GROMMET                   | 1  |       |       | 0     | 0    |
| 100 | 160725     |    | PASEK S PRICHYTKOU WRTF-155ICB   | ATTACHMENT STRIP          | 8  |       |       | 0     | 0    |
| 101 | 170520     |    | SROUB M8X25                      | BOLT M8X25                | 4  |       |       | 0     | 0    |
| 102 | 111108     |    | SROUB M5x12 - Ploca              | BOLT M5x12                | 4  |       |       | 0     | 0    |

**W3674**
**EB400-a; EB410-a ELEKTROVYZBROJ**  
**EB420-a; EB430-a ELECTRICAL SYSTEM**


| Po. | Ob.č./No.O | In | Název                          | Description                   | ks | EB400 | EB410 | EB420 | EB30 |
|-----|------------|----|--------------------------------|-------------------------------|----|-------|-------|-------|------|
| 103 | 232050     |    | SROUB 4,2X13                   | BOLT 4,2X13                   | 13 |       |       | 0     | 0    |
| 104 | 067291     |    | SROUB M8X20                    | BOLT M8X20                    | 5  |       |       | 0     | 0    |
| 105 | 250609     |    | SROUB 4,2X16                   | BOLT 4,2x16                   | 4  |       |       | 0     | 0    |
| 106 | 041040     |    | PODLOZKA M8                    | WASHER M8                     | 10 |       |       | 0     | 0    |
| 107 | 070812     |    | PODLOZKA 8,4                   | WASHER 8,4                    | 5  |       |       | 0     | 0    |
| 108 | 596142     |    | MATICE M8                      | NUT M8                        | 4  |       |       | 0     | 0    |
| 109 | 061244     |    | SROUB M8X20                    | BOLT M8x20                    | 1  |       |       | 0     | 0    |
| 110 | 041569     |    | PODLOZKA M4                    | WASHER M4                     | 4  |       |       | 0     | 0    |
| 111 | 041783     |    | PODLOZKA M6                    | WASHER M6                     | 4  |       |       | 0     | 0    |
| 112 | 070476     |    | PODLOZKA 5,3                   | WASHER 5,3                    | 8  |       |       | 0     | 0    |
| 113 | 071674     |    | PODLOZKA 5,3                   | WASHER 5,3                    | 2  |       |       | 0     | 0    |
| 114 | 100209     |    | PODLOZKA 25                    | WASHER 25                     | 1  |       |       | 0     | 0    |
| 115 | 070084     |    | MATICE M8                      | NUT M8                        | 6  |       |       | 0     | 0    |
| 116 | 069141     |    | MATICE M4                      | NUT M4                        | 4  |       |       | 0     | 0    |
| 117 | 590025     |    | MATICE M6                      | NUT M6                        | 4  |       |       | 0     | 0    |
| 118 | 111545     |    | MATICE M5                      | NUT M5                        | 8  |       |       | 0     | 0    |
| 119 | 170308     |    | SPINAC ZPET.SECENI             | SWITCH                        | 1  |       | 0     |       | 0    |
| 120 | E9796      |    | SVAZEK UZAVERKY W36..          | WIRE HARNESS                  | 1  |       | 0     |       | 0    |
| 121 | 040612     |    | STITEK - UZAVERKA DIFERENCIALU | LABEL                         | 1  |       | 0     |       | 0    |
| 122 | 120616     |    | SROUB M5X10                    | BOLT M5X10                    | 8  |       | 0     |       | 0    |
| 123 | 050351     |    | O-KROUZEK 45x2                 | O-RING                        | 2  | 0     | 0     |       |      |
| 124 | 190410     |    | LED ZAROVKA                    | LED BULB                      | 2  | 0     | 0     |       |      |
| 125 | 321151     |    | ZASLEPKA                       | COVER                         | 2  | 0     | 0     |       |      |
| 126 | 041514     |    | DRZAK POJISTEK                 | FUSE HOLDERS                  |    | 0     | 0     | 0     | 0    |
| 127 | 041393     |    | DRZAK POJISTEK                 | FUSE HOLDERS                  |    | 0     | 0     | 0     | 0    |
| 128 | 040913     |    | TRANSP. KRYT NA DRZAK POJISTEK | TRANSP. COVER FOR FUSE HOLDER |    | 0     | 0     | 0     | 0    |



SPINACÍ  
SWITCHES

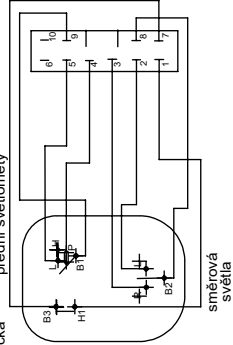
Z3 - ZEM 3 - šroub u pedálu brzoj  
1. Opojovač baterie  
2. Zásuvka 12V  
3. Spínač předního závěsu  
4. Reléčko č.5  
5. Reléčko č.6

Z2 - ZEM 2 - šroub pod panelem  
1. Spínač předního závěsu  
2. Spínač startu  
3. Spínač spojky  
4. Konektor sněžová fréza  
5. Spínač sezení

Z1 - ZEM 1 - šroub u motoru na pravé straně  
1. Motor  
2. Spínač spojky  
3. Spínač startu  
4. Spínací sada - Kabina  
5. Solenoid

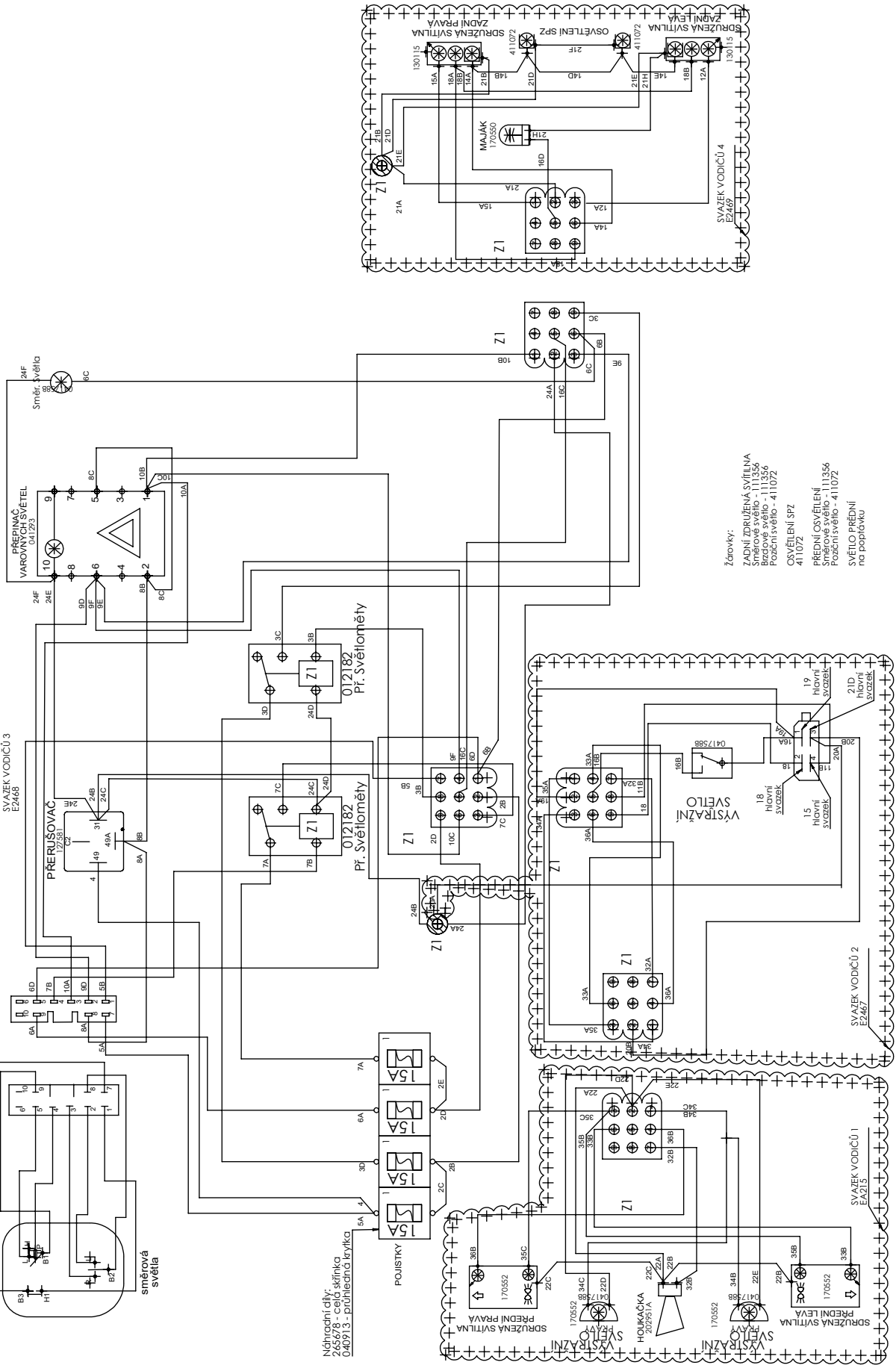
POZNÁMKA: pro EB420 α EB430 je připojená i schéma EA175 (rozhraní "Z")

PŘEPÍNAČ KOMBINOVANÝ  
 160607  
 houkačka  
 přední světlomety



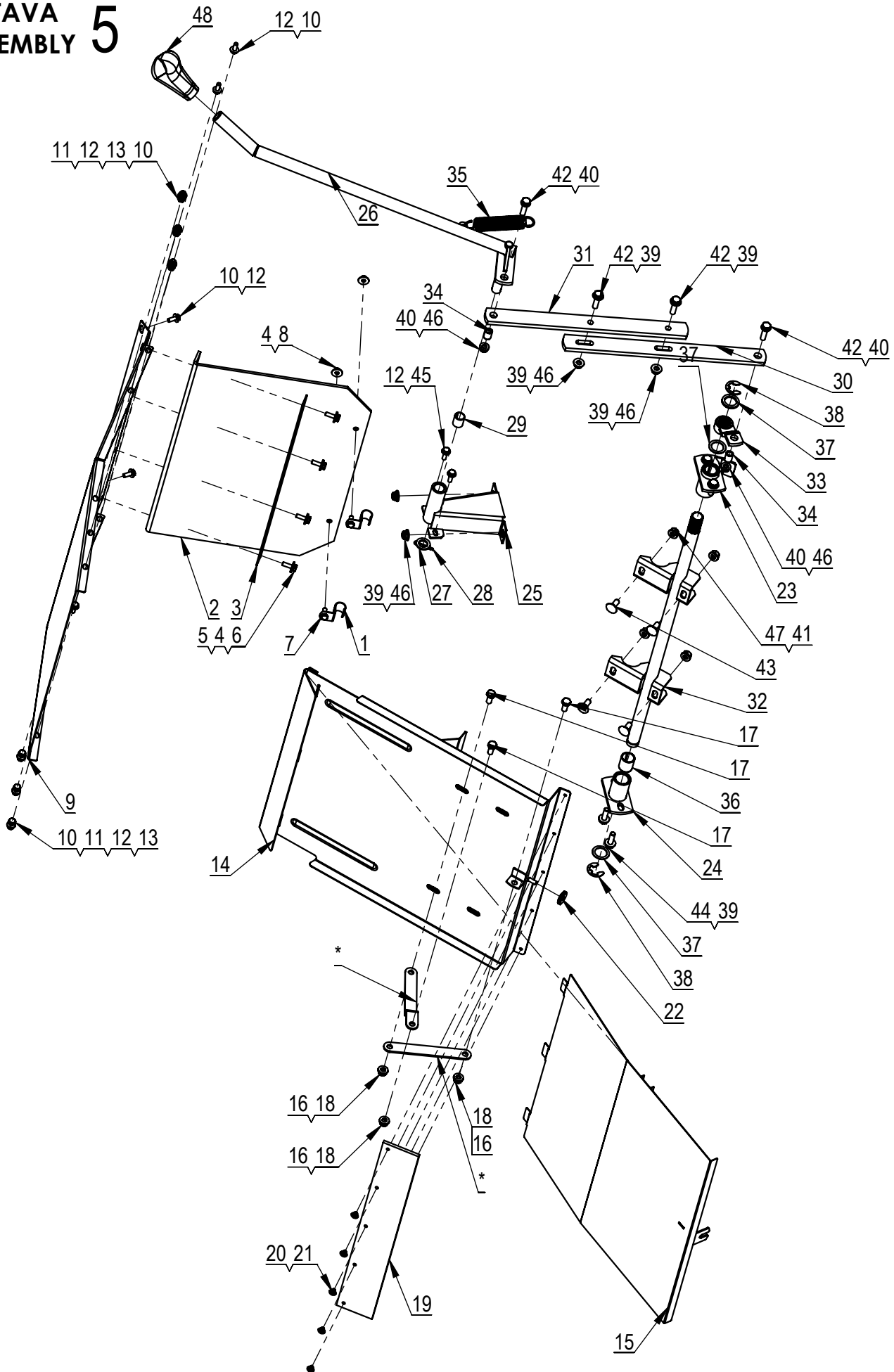
směrová  
 světla

Náhradní díly:  
 266078 - celá skříňka  
 040913 - průhledná kryčka



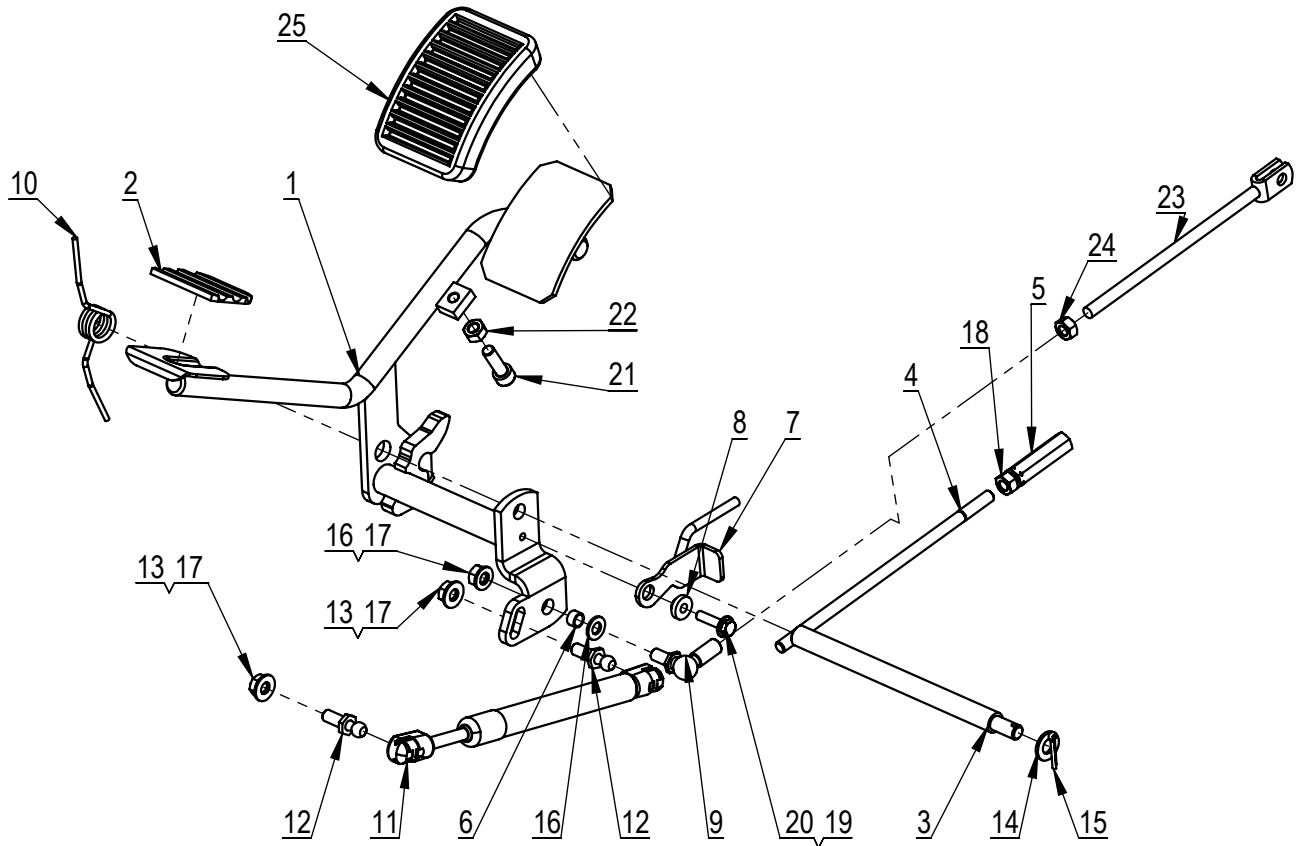
Žárovky:  
 ZADNÍ ZPRUŽENÁ SVĚTLA  
 Směrové světlo - 111356  
 Poziční světlo - 411072  
 OSVĚTLENÍ SPZ  
 411072  
 PŘEDNÍ OSVĚTLENÍ  
 Směrové světlo - 111356  
 Poziční světlo - 411072  
 SVĚTLO PŘEDNÍ  
 na poplávku

SESTAVA  
ASSEMBLY 5



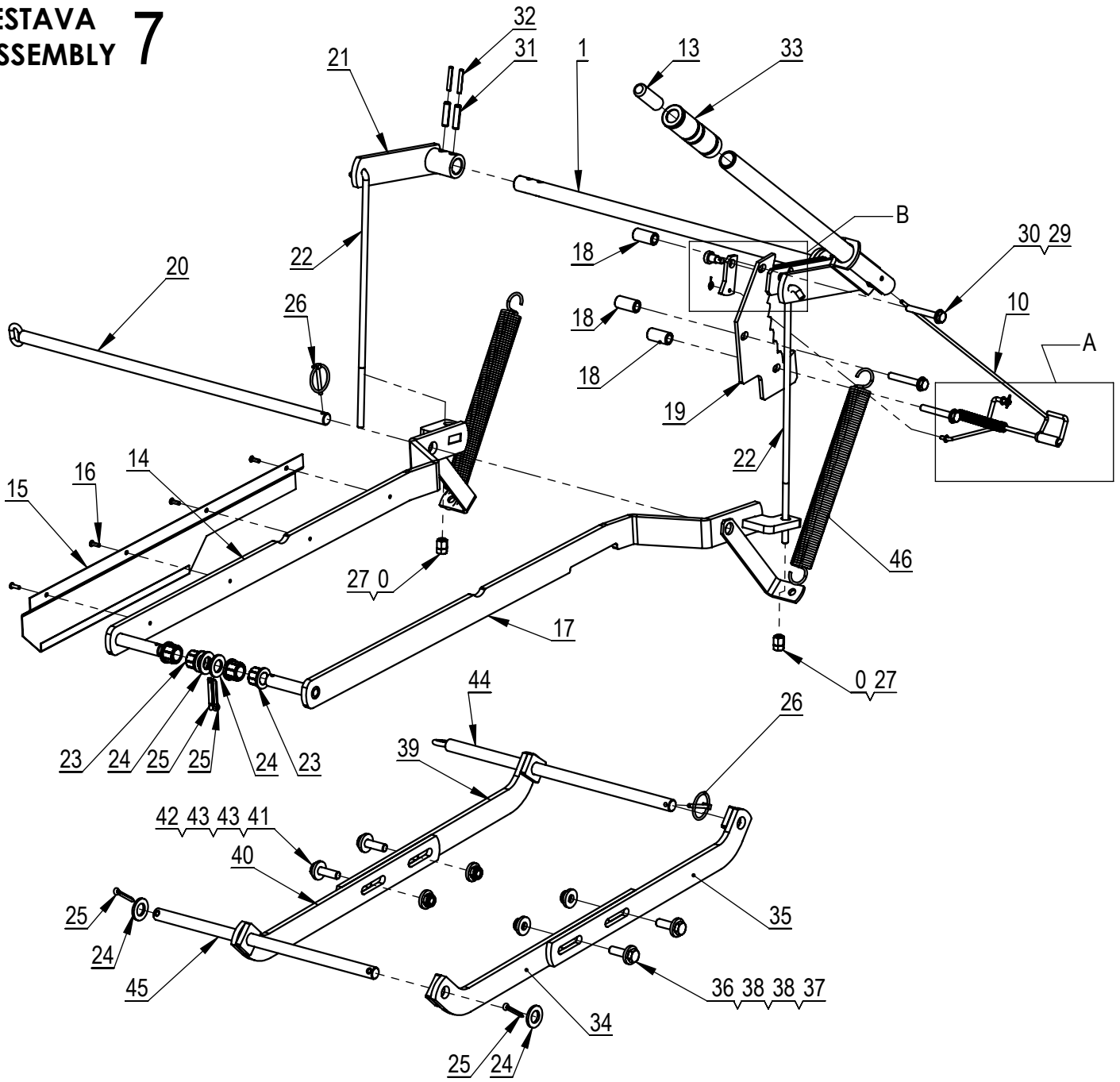
**W3674**EB400-a; EB410-a TUNEL ; CISTICI KLAPKA  
EB420-a; EB430-a CHUTE ; CLEANING SHUTTER

| Po. | Ob.č./No.O | In | Název                      | Description       | ks |
|-----|------------|----|----------------------------|-------------------|----|
| 1   | E8883      |    | PATKA                      | HOOK HOLDER       | 2  |
| 2   | E8773      |    | GUMOVA CLONA               | RUBER SHIELD      | 1  |
| 3   | E8720      |    | PRILOZKA                   | WASHER            | 1  |
| 4   | 071212     |    | PODLOZKA 6,4               | WASHER 6,4        | 6  |
| 5   | 276700     |    | PODLOZKA 6                 | WASHER 6          | 4  |
| 6   | 431736     |    | SROUB M6X20                | BOLT M6x20        | 4  |
| 7   | 067242     |    | SROUB M6X16                | BOLT M6x16        | 2  |
| 8   | 596275     |    | MATICE M6                  | NUT M6            | 2  |
| 9   | E8759      |    | TUNEL                      | CHUTE             | 1  |
| 10  | 067242     |    | SROUB M6X16                | BOLT M6x16        | 12 |
| 11  | 596275     |    | MATICE M6                  | NUT M6            | 6  |
| 12  | 041783     |    | PODLOZKA M6                | WASHER M6         | 14 |
| 13  | 070805     |    | PODLOZKA 6,4               | WASHER 6,4        | 6  |
| 14  | E2052      |    | KLAPKA                     | FLAP              | 1  |
| 15  | E2060      | -a | VLOZKA KLAPKY              | FLAP LINER        | 1  |
| 16  | 300507     |    | PODLOZKA 8                 | WASHER 8          | 3  |
| 17  | 664284     |    | SROUB M8X18                | BOLT M8x18        | 3  |
| 18  | 596142     |    | MATICE M8                  | NUT M8            | 3  |
| 19  | E1265      |    | CLONA PRYZ                 | RUBBER IRIS       | 1  |
| 20  | 070980     |    | PODLOZKA 4,3               | WASHER 4,3        | 5  |
| 21  | 644474     |    | NYT TRHACI 4X10 AI/St - PH | RIVET WITH 4x10   | 5  |
| 22  | 101215     |    | MATICE M6                  | NUT M6            | 1  |
| 23  | E8823      |    | ULOZENI KLAPKY             | SHUTTER SUPPORT   | 1  |
| 24  | E8736      | -a | ULOZENI KLAPKY             | SHUTTER SUPPORT   | 1  |
| 25  | E1071      |    | ULOZENI PAKY KLAPKY        | LEVER BRACKET     | 1  |
| 26  | E8723      |    | PAKA ZVEDANI KLAPKY        | FLAP LIFT LEVER   | 1  |
| 27  | E1929      |    | PODLOZKA                   | WASHER            | 1  |
| 28  | 072711     |    | ZAVLACKA 4x22              | COTTER PIN 4x22   | 1  |
| 29  | 006453     |    | KLUZNE POUZDRO             | BUSHING           | 2  |
| 30  | E8983      |    | RAMENO TAHLA 1             | ARM ROD LINKAGE 1 | 1  |
| 31  | E8984      |    | RAMENO TAHLA 2             | ARM ROD LINKAGE 2 | 1  |
| 32  | E1677      |    | HRIDEL KLAPKY              | FLAP SHAFT        | 1  |
| 33  | E8733      |    | SPODNI PAKA                | LOWER LEVER       | 1  |
| 34  | E9005      | -a | POUZDRO RAMEN              | BUSHING           | 2  |
| 35  | 597571     |    | PRUZINA PAKY KLAPKY        | FLAP LEVER SPRING | 1  |
| 36  | 089084     |    | KLUZNE POUZDRO             | BUSHING           | 2  |
| 37  | E1993      |    | PODLOZKA 29X21X1           | WASHER 29x21x1    | 5  |
| 38  | 007252     |    | KROUZEK 15                 | RETAINING RING 15 | 2  |
| 39  | 041040     |    | PODLOZKA M8                | WASHER M8         | 10 |
| 40  | 070812     |    | PODLOZKA 8,4               | WASHER 8,4        | 4  |
| 41  | 300507     |    | PODLOZKA 8                 | WASHER 8          | 4  |
| 42  | 067312     |    | SROUB M8X30                | BOLT M8X30        | 4  |
| 43  | 061244     |    | SROUB M8X20                | BOLT M8x20        | 4  |
| 44  | 067305     |    | SROUB M8X25                | BOLT M8X25        | 4  |
| 45  | 431736     |    | SROUB M6X20                | BOLT M6x20        | 2  |
| 46  | 596142     |    | MATICE M8                  | NUT M8            | 6  |
| 47  | 070084     |    | MATICE M8                  | NUT M8            | 4  |
| 48  | 008695     |    | RUKOJET PAKY KLAPKY        | FLAP LEVER HANDLE | 1  |

SESTAVA  
ASSEMBLY 6

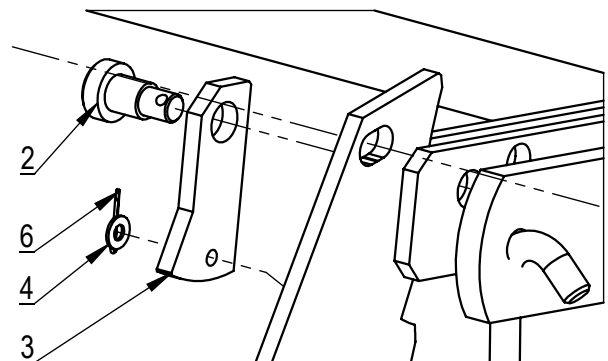
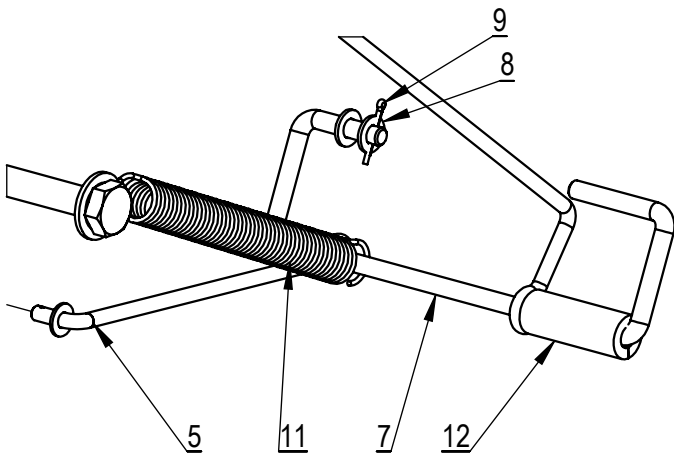
| Po. | Ob.č./No.O | In | Název                  | Description       | ks |
|-----|------------|----|------------------------|-------------------|----|
| 1   | E2178      |    | PEDAL POJEZDU          | DRIVE PEDAL       | 1  |
| 2   | EA265      |    | POTAH PEDALU           | PEDAL COVER       | 1  |
| 3   | E8290      | -a | OSKA PEDALU            | PEDAL SHAFT       | 1  |
| 4   | E9557      | -a | TAHLO L                | DRAW ROD L        | 1  |
| 5   | E7033      |    | PL MATICE M8           | R/L NUT M8        | 1  |
| 6   | E1069      |    | ROZPERKA               | SPACER            | 1  |
| 7   | E2050      | -a | DORAZ SPINACE          | SWITCH STOP       | 1  |
| 8   | E2183      |    | ROZPERKA               | SPACER            | 1  |
| 9   | 580575     |    | KULOVY CEP A13/M8      | BALL JOINT        | 1  |
| 10  | 018894     |    | VRATNA PRUZINA POJEZDU | RETURN SPRING     | 1  |
| 11  | 171208     |    | TLUMIC                 | DUMPER            | 1  |
| 12  | 181208     |    | KULOVY CEP SE ZAVITEM  | BALL JOINT        | 2  |
| 13  | 041040     |    | PODLOZKA M8            | WASHER M8         | 2  |
| 14  | 070504     |    | PODLOZKA 10,5          | WASHER 10,5       | 1  |
| 15  | 072634     |    | ZAVLACKA 3,2X18        | COTTER PIN 3,2X18 | 1  |
| 16  | 070812     |    | PODLOZKA 8,4           | WASHER 8,4        | 2  |
| 17  | 191208     |    | MATICE 5/16-18 UNC     | NUT 5/16-18 UNC   | 3  |
| 18  | 070070     |    | MATICE M8 LEVA         | NUT M8 L          | 1  |
| 19  | 041783     |    | PODLOZKA M6            | WASHER M6         | 1  |
| 20  | 090384     |    | SROUB M6X25            | BOLT M6 x25       | 1  |
| 21  | 068090     |    | SROUB M8X25            | BOLT M8 x25       | 1  |
| 22  | 070084     |    | MATICE M8              | NUT M8            | 1  |
| 23  | E7035      | -a | TAHLO P                | DRAW ROD R        | 1  |
| 24  | 070084     |    | MATICE M8              | NUT M8            | 1  |
| 25  | 052824     |    | POTAH PEDALU           | PEDAL COVER       | 1  |

SESTAVA 7  
ASSEMBLY 7



DETAIL A  
1 : 2

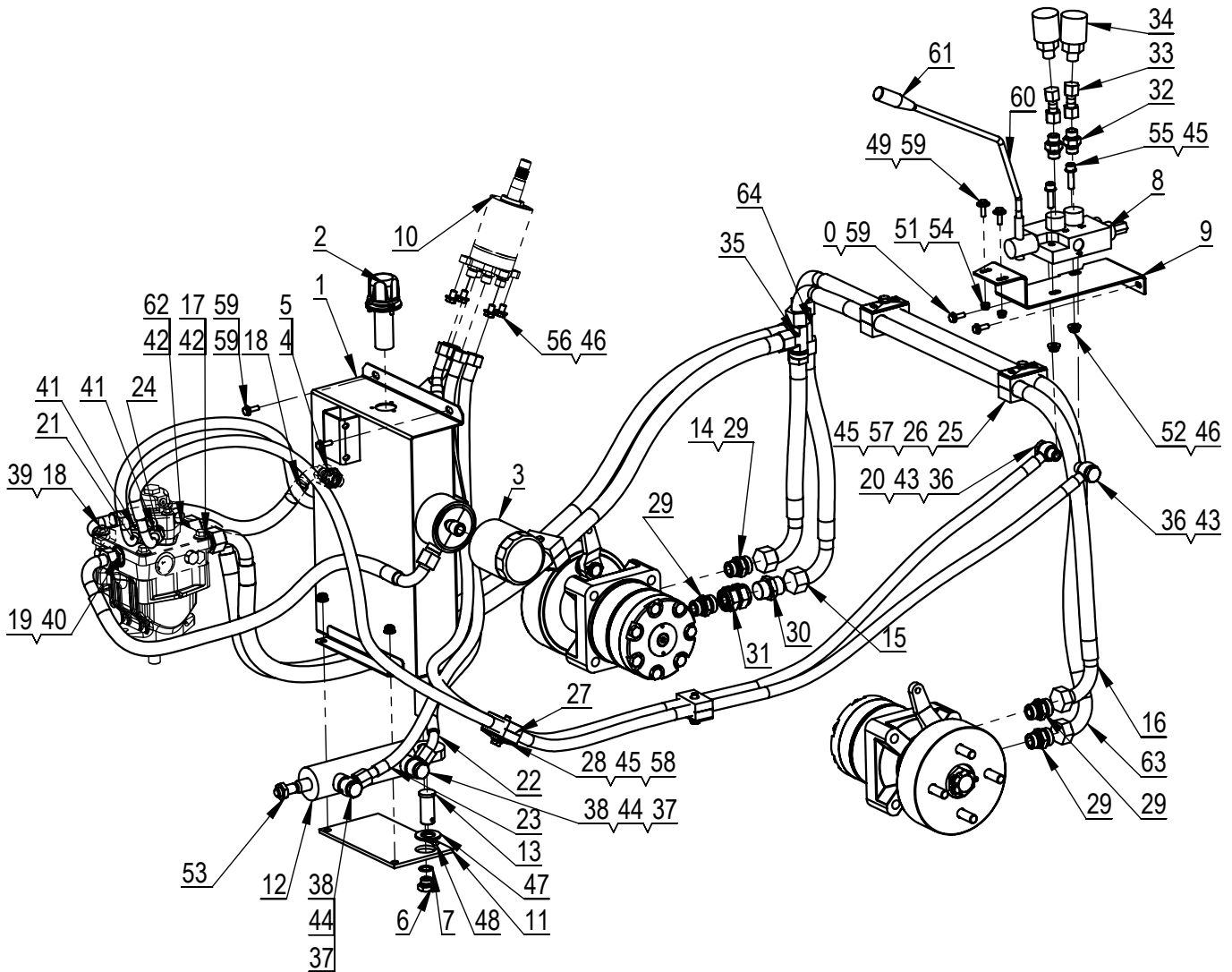
DETAIL B  
1 : 2



**W3674****EB390 ZACI STROJ W3674 - ZAKLAD  
LAWN TRACTOR W3674**

| Po. | Ob.č./No.O | In | Název                 | Description         | ks |
|-----|------------|----|-----------------------|---------------------|----|
| 1   | E1172      | -b | KLIKA ZVEDANI         | LIFTING SHAFT       | 1  |
| 2   | E6073      | -a | POJISTNY CEP          | LOCKING PIN         | 1  |
| 3   | E8601      | -b | ZAPADKA ZVEDANI       | LIFTING LATCH       | 1  |
| 4   | 070462     |    | PODLOZKA 4,3          | WASHER 4,3          | 1  |
| 5   | E6069      |    | KRATKE TAHLO          | SHORT ROD           | 1  |
| 6   | 295060     |    | ZAVLACKA 1,2x12       | COTTER PIN 1,2x12   | 1  |
| 7   | E8108      |    | PRENASEC              | CARRIER             | 1  |
| 8   | 070476     |    | PODLOZKA 5,3          | WASHER 5,3          | 1  |
| 9   | 072543     |    | ZAVLACKA 1,6X12       | COTTER PIN 1,6 x 12 | 1  |
| 10  | E8104      | -a | DLOUHE TAHLO          | LONG ROD            | 1  |
| 11  | 081376     |    | PRUZINA KLIKY ZVEDANI | SPRING              | 1  |
| 12  | E2208      |    | ROZPERKA TAHLA        | SPACER ROD          | 1  |
| 13  | E8107      |    | KONCOVKA TAHLA        | ROD END             | 1  |
| 14  | E2250      |    | RAMENO ZVEDANI P      | LIFTING ARM R       | 1  |
| 15  | E2002      |    | KRYT REMENE P         | BELT COVER          | 1  |
| 16  | 201009     |    | NYT TRHACI 4X12 Al/St | TEAR RIVET 4x12     | 4  |
| 17  | e2249      |    | RAMENO ZVEDANI L      | LIFTING ARM L       | 1  |
| 18  | E8715      |    | ROZPERKA              | SPACER              | 3  |
| 19  | E8113      |    | ROHATKA               | RATCHET             | 1  |
| 20  | E8586      |    | ZADNI CEP             | REAR PIN            | 1  |
| 21  | E0972      |    | NABOJ PAKY ZVEDANI    | LIFT LEVER HUB      | 1  |
| 22  | E8525      | -a | ZVEDACI TAHLO         | LIFTING ROD         | 2  |
| 23  | 011572     |    | POUZDRO               | BUSHING             | 4  |
| 24  | 070532     |    | PODLOZKA 17           | WASHER 17           | 4  |
| 25  | 308425     |    | ZAVLACKA 5x32         | COTTER PIN 5x32     | 4  |
| 26  | 369291     |    | POJISTNY KOLIK        | PIN                 | 2  |
| 27  | 261021     |    | MATICE M8             | NUT M8              | 2  |
| 28  | 070084     |    | MATICE M8             | NUT M8              | 2  |
| 29  | 041040     |    | PODLOZKA M8           | WASHER M8           | 3  |
| 30  | 066674     |    | SROUB M8X55           | BOLT M8x55          | 3  |
| 31  | 074960     |    | KOLIK 8X32            | PIN 8x32            | 2  |
| 32  | 290313     |    | KOLIK 5X32            | PIN 5x32            | 2  |
| 33  | E8857      |    | RUKOJET               | HANDLE              | 1  |
| 34  | E9736      |    | TAHLO PREDNI L        | FRONT DRAW ROD L    | 1  |
| 35  | E9737      |    | TAHLO PREDNI P        | FRONT DRAW ROD R    | 1  |
| 36  | 066723     |    | SROUB M10X35          | BOLT M10x35         | 2  |
| 37  | 596163     |    | MATICE M10            | NUT M10             | 2  |
| 38  | 200308     |    | PODLOZKA M10          | WSHER M10           | 4  |
| 39  | E9736      |    | TAHLO PREDNI L        | FRONT DRAW ROD L    | 1  |
| 40  | E9737      |    | TAHLO PREDNI P        | FRONT DRAW ROD R    | 1  |
| 41  | 066723     |    | SROUB M10X35          | BOLT M10x35         | 2  |
| 42  | 596163     |    | MATICE M10            | NUT M10             | 2  |
| 43  | 200308     |    | PODLOZKA M10          | WSHER M10           | 4  |
| 44  | E9961      |    | PREDNI CEP            | FRONT PIN           | 1  |
| 45  | E8197      |    | PREDNI CEP            | FRONT PIN           | 1  |
| 46  | E3579      |    | PRUZINA ZACI LISTY    | MOWING DECK SPRING  | 2  |

W3674

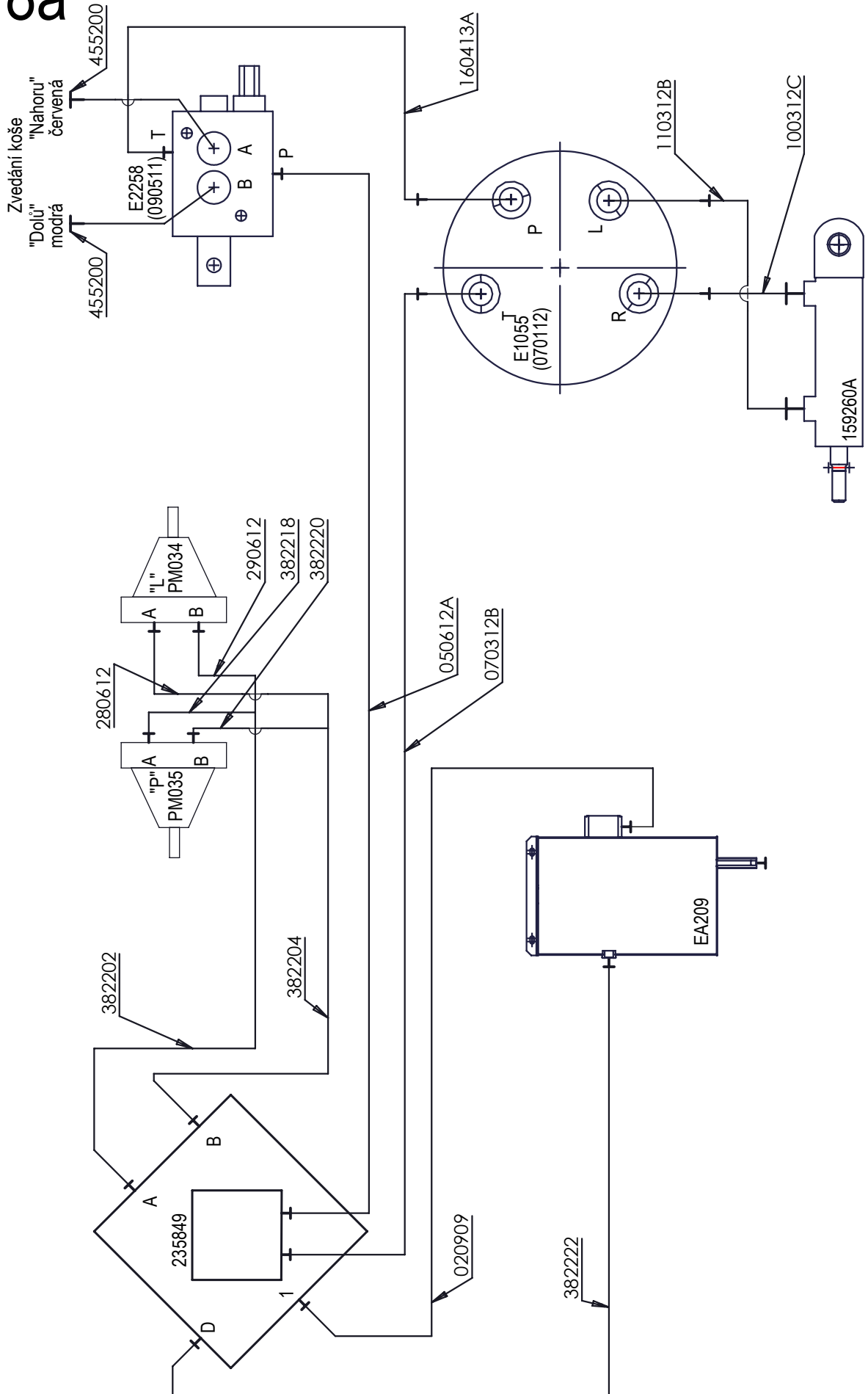
EB400-a  
EB420-aHYDRAULIKA W3674  
HYDRAULICS W3674SESTAVA  
ASSEMBLY 8a

| Po. | Ob.č./No.O | In | Název                          | Description          | ks |
|-----|------------|----|--------------------------------|----------------------|----|
| 1   | EA209      | -a | HYDRAULICKA NADRZ W3674        | HYDRAULIC TANK       | 1  |
| 2   | 220603     |    | ODVDUSNOVACI ZATKA S KOSEM SMN | VENT PLUG            | 1  |
| 3   | 627040     |    | FILTR HYDR.OLEJE               | HYDRAULIC OIL FILTER | 1  |
| 4   | 187526     |    | HRDLO                          | NECK                 | 1  |
| 5   | 088194     |    | TESNICI KROUZEK 22             | SEALING RING 22      | 1  |
| 6   | 085734     |    | ZATKA M16X1,5 - MAGNET         | MAGNETIC STOPPER     | 1  |
| 7   | 487294     |    | TESNICI KROUZEK 16             | SEALING RING 16      | 1  |
| 8   | E2258      |    | ROZVADEC                       | SWITCHBOARD          | 1  |
| 9   | E9120      | -a | DESKA ROZVADECE                | PANEL SWITCHBOARD    | 1  |
| 10  | E1055      |    | RIDICI JEDNOTKA                | CONTROL UNIT         | 1  |
| 11  | E8938      | -a | PODLOZKA                       | RUBBER PAD           | 1  |
| 12  | 159260A    |    | PISTNICE RIZENI                | STEERING DRIVE       | 1  |
| 13  | E9754      |    | CEP                            | SHAFT                | 1  |
| 14  | 280612     |    | HADICE                         | HOSE                 | 1  |
| 15  | 290612     |    | HADICE                         | HOSE                 | 1  |
| 16  | 382220     |    | HADICE                         | HOSE                 | 1  |
| 17  | 382204     |    | HADICE                         | HOSE                 | 1  |
| 18  | 382222     |    | HADICE                         | HOSE                 | 1  |
| 19  | 020909     |    | HADICE                         | HOSE                 | 1  |
| 20  | 160413A    |    | HADICE                         | HOSE                 | 1  |
| 21  | 070312B    |    | HADICE                         | HOSE                 | 1  |

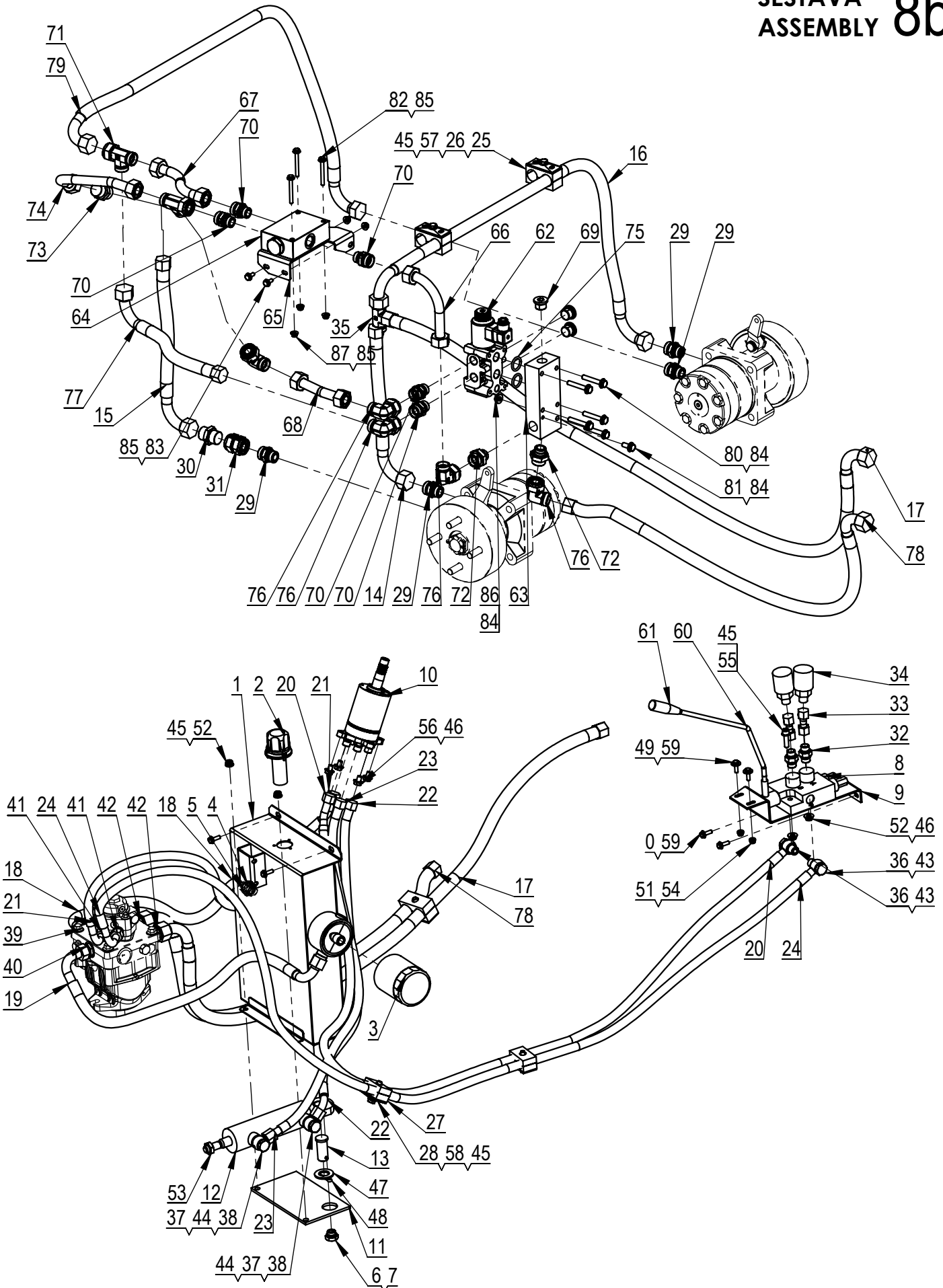
**W3674****EB400-a**  
**EB420-a****HYDRAULIKA W3674**  
**HYDRAULICS W3674**

| Po. | Ob.č./No.O | In | Název              | Description           | ks |
|-----|------------|----|--------------------|-----------------------|----|
| 22  | 100312C    |    | HADICE             | HOSE                  | 1  |
| 23  | 110312B    |    | HADICE             | HOSE                  | 1  |
| 24  | 050612A    |    | HADICE             | HOSE 8X2020           | 1  |
| 25  | 230806     |    | DVOJITA PRICHYTKA  | DOUBLE CLIP           | 6  |
| 26  | 035400     |    | VRCHNI PRIT.DESKA  | TOP PLATTE            | 3  |
| 27  | 382956     |    | DVOJITA PRICHYTKA  | DOUBLE CLIP           | 4  |
| 28  | 382957     |    | VRCHNI PRIT.DESKA  | TOP PLATE             | 2  |
| 29  | 187524     |    | HRDLO              | NECK                  | 4  |
| 30  | 150312     |    | SPOJKA             | CONNECTOR             | 1  |
| 31  | 140312     |    | SPOJKA             | CONNECTOR             | 1  |
| 32  | 085671     |    | HRDLO              | NECK                  | 2  |
| 33  | 110511     |    | MEZISPOJKA         | INTERMEDIATE COUPLING | 2  |
| 34  | 455200     |    | RYCHLOSPOJKA       | QUICK COUPLER         | 2  |
| 35  | 187522     |    | SPOJKA             | CONECTOR              | 1  |
| 36  | 341109     |    | PRUTOKOVY SROUB    | BANJO BOLT            | 2  |
| 37  | 300411     |    | OKO                | HYDRAULIC EYE FITTING | 2  |
| 38  | 000411     |    | PRUTOKOVY SROUB    | BANJO BOLT            | 2  |
| 39  | 311109     |    | HRDLO              | NECK                  | 1  |
| 40  | 159872     |    | HRDLO              | NECK                  | 1  |
| 41  | 187518     |    | HRDLO              | NECK                  | 2  |
| 42  | E2100      |    | HRDLO              | NECK                  | 2  |
| 43  | 109131     |    | TESNICI KROUZEK 17 | SEALING RING 17       | 4  |
| 44  | 487294     |    | TESNICI KROUZEK 16 | SEALING RING 16       | 4  |
| 45  | 070322     |    | PODLOZKA 8,4       | WASHER 8,4            | 9  |
| 46  | 041040     |    | PODLOZKA M8        | WASHER M8             | 6  |
| 47  | 070553     |    | PODLOZKA 21        | WASHER 21             | 1  |
| 48  | 308425     |    | ZAVLACKA 5x32      | COTTER PIN 5x32       | 1  |
| 49  | 071212     |    | PODLOZKA 6,4       | WASHER 6,4            | 2  |
| 50  | 041783     |    | PODLOZKA M6        | WASHER M6             | 4  |
| 51  | 070805     |    | PODLOZKA 6,4       | WASHER 6,4            | 2  |
| 52  | 596142     |    | MATICE M8          | NUT M8                | 4  |
| 53  | 069603     |    | MATICE M14X1,5     | NUT M14X1,5           | 1  |
| 54  | 596275     |    | MATICE M6          | NUT M6                | 2  |
| 55  | 067711     |    | SROUB M8X30        |                       | 2  |
| 56  | 664284     |    | SROUB M8X18        | BOLT M8x18            | 4  |
| 57  | 066660     |    | SROUB M8X50        | BOLT M8x50            | 3  |
| 58  | 066646     |    | SROUB M8X40        | BOLT M8x40            | 2  |
| 59  | 431736     |    | SROUB M6X20        | BOLT M6x20            | 6  |
| 60  | E9561      | -a | PAKA ROZVADECE     | SWITCHGEAR LEVER      | 1  |
| 61  | 614892     |    | RUKOJET            | HANDLE                | 1  |
| 62  | 382202     |    | HADICE             | HOSE                  | 1  |
| 63  | 382218     |    | HADICE             | HOSE                  | 1  |
| 64  | 187522     |    | SPOJKA             | CONECTOR              | 1  |

SESTAVA ASSEMBLY 8a



SESTAVA ASSEMBLY 8b



**W3674****EB410-a  
EB430-a****HYDRAULIKA W3674  
HYDRAULICS W3674**

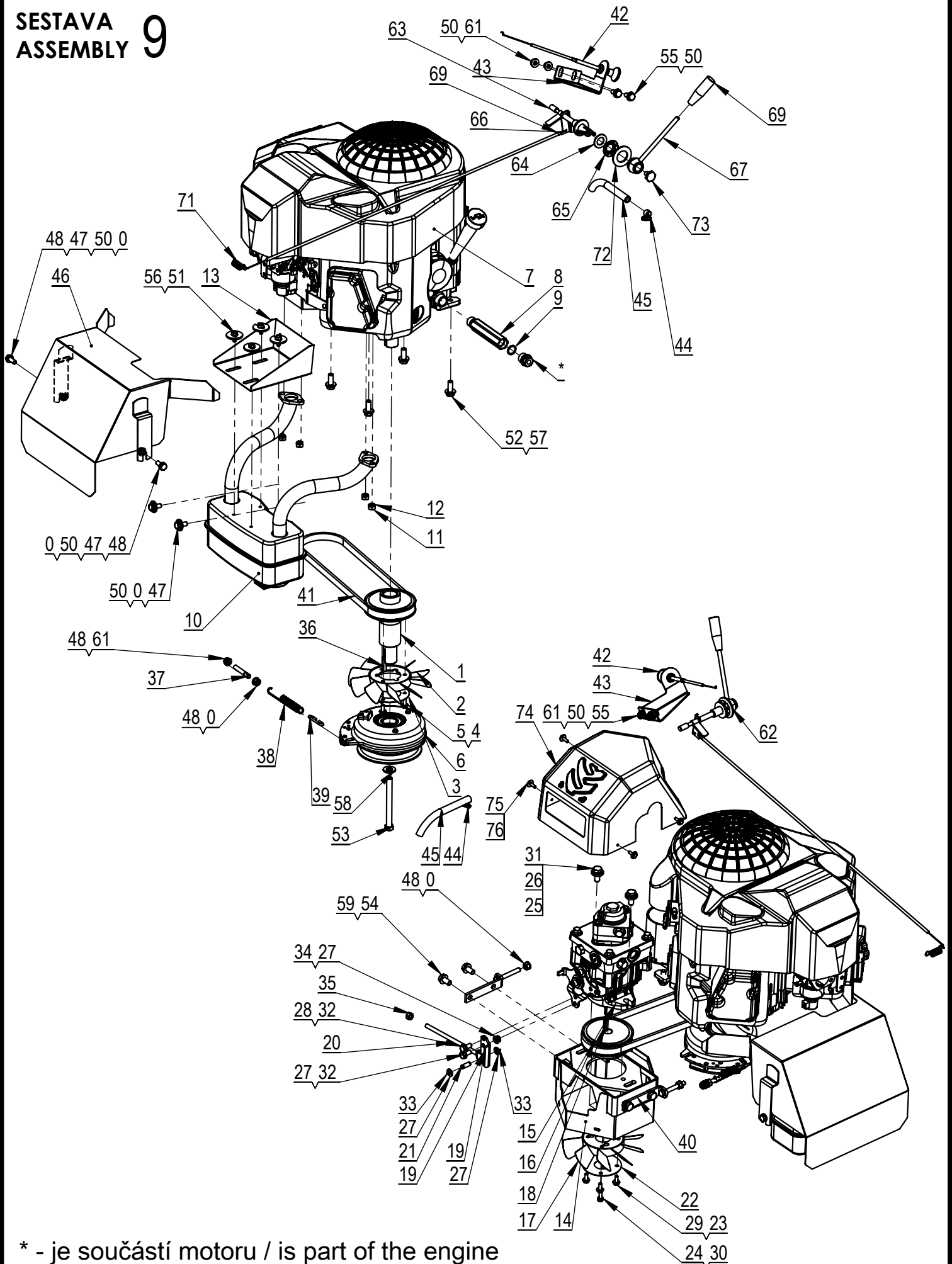
| Po. | Ob.č./No.O | In | Název                          | Description           | ks |
|-----|------------|----|--------------------------------|-----------------------|----|
| 1   | EA209      | -a | HYDRAULICKA NADRZ W3674        | HYDRAULIC TANK        | 1  |
| 2   | 220603     |    | ODVDUSNOVACI ZATKA S KOSEM SMN | VENT PLUG             | 1  |
| 3   | 627040     |    | FILTR HYDR.OLEJE               | HYDRAULIC OIL FILTER  | 1  |
| 4   | 187526     |    | HRDLO                          | NECK                  | 1  |
| 5   | 088194     |    | TESNICI KROUZEK 22             | SEALING RING 22       | 1  |
| 6   | 085734     |    | ZATKA M16X1,5 - MAGNET         | MAGNETIC STOPPER      | 1  |
| 7   | 487294     |    | TESNICI KROUZEK 16             | SEALING RING 16       | 1  |
| 8   | E2258      |    | ROZVADEC                       | SWITCHBOARD           | 1  |
| 9   | E9120      | -a | DESKA ROZVADECE                | PANEL SWITCHBOARD     | 1  |
| 10  | E1055      |    | RIDICI JEDNOTKA                | CONTROL UNIT          | 1  |
| 11  | E8938      | -a | PODLOZKA                       | RUBBER PAD            | 1  |
| 12  | 159260A    |    | PISTNICE RIZENI                | STEERING DRIVE        | 1  |
| 13  | E9754      |    | CEP                            | SHAFT                 | 1  |
| 14  | 280612     |    | HADICE                         | HOSE                  | 1  |
| 15  | 290612     |    | HADICE                         | HOSE                  | 1  |
| 16  | 382220     |    | HADICE                         | HOSE                  | 1  |
| 17  | 382204     |    | HADICE                         | HOSE                  | 1  |
| 18  | 382222     |    | HADICE                         | HOSE                  | 1  |
| 19  | 020909     |    | HADICE                         | HOSE                  | 1  |
| 20  | 160413A    |    | HADICE                         | HOSE                  | 1  |
| 21  | 070312B    |    | HADICE                         | HOSE                  | 1  |
| 22  | 100312C    |    | HADICE                         | HOSE                  | 1  |
| 23  | 110312B    |    | HADICE                         | HOSE                  | 1  |
| 24  | 050612A    |    | HADICE                         | HOSE 8X2020           | 1  |
| 25  | 230806     |    | DVOJITA PRICHYTKA              | DOUBLE CLIP           | 6  |
| 26  | 035400     |    | VRCHNI PRIT.DESKA              | TOP PLATTE            | 3  |
| 27  | 382956     |    | DVOJITA PRICHYTKA              | DOUBLE CLIP           | 4  |
| 28  | 382957     |    | VRCHNI PRIT.DESKA              | TOP PLATE             | 2  |
| 29  | 187524     |    | HRDLO                          | NECK                  | 4  |
| 30  | 150312     |    | SPOJKA                         | CONNECTOR             | 1  |
| 31  | 140312     |    | SPOJKA                         | CONNECTOR             | 1  |
| 32  | 085671     |    | HRDLO                          | NECK                  | 2  |
| 33  | 110511     |    | MEZISPOJKA                     | INTERMEDIATE COUPLING | 2  |
| 34  | 455200     |    | RYCHLOSPOJKA                   | QUICK COUPLER         | 2  |
| 35  | 187522     |    | SPOJKA                         | CONECTOR              | 1  |
| 36  | 341109     |    | PRUTOKOVY SROUB                | BANJO BOLT            | 2  |
| 37  | 300411     |    | OKO                            | HYDRAULIC EYE FITTING | 2  |
| 38  | 000411     |    | PRUTOKOVY SROUB                | BANJO BOLT            | 2  |
| 39  | 311109     |    | HRDLO                          | NECK                  | 1  |
| 40  | 159872     |    | HRDLO                          | NECK                  | 1  |
| 41  | 187518     |    | HRDLO                          | NECK                  | 2  |
| 42  | E2100      |    | HRDLO                          | NECK                  | 2  |
| 43  | 109131     |    | TESNICI KROUZEK 17             | SEALING RING 17       | 4  |
| 44  | 487294     |    | TESNICI KROUZEK 16             | SEALING RING 16       | 4  |
| 45  | 070322     |    | PODLOZKA 8,4                   | WASHER 8,4            | 9  |
| 46  | 041040     |    | PODLOZKA M8                    | WASHER M8             | 6  |
| 47  | 070553     |    | PODLOZKA 21                    | WASHER 21             | 1  |
| 48  | 308425     |    | ZAVLACKA 5x32                  | COTTER PIN 5x32       | 1  |
| 49  | 071212     |    | PODLOZKA 6,4                   | WASHER 6,4            | 2  |
| 50  | 041783     |    | PODLOZKA M6                    | WASHER M6             | 4  |
| 51  | 070805     |    | PODLOZKA 6,4                   | WASHER 6,4            | 2  |
| 52  | 596142     |    | MATICE M8                      | NUT M8                | 4  |
| 53  | 069603     |    | MATICE M14X1,5                 | NUT M14X1,5           | 1  |
| 54  | 596275     |    | MATICE M6                      | NUT M6                | 2  |
| 55  | 067711     |    | SROUB M8X30                    |                       | 2  |
| 56  | 664284     |    | SROUB M8X18                    | BOLT M8x18            | 4  |
| 57  | 066660     |    | SROUB M8X50                    | BOLT M8x50            | 3  |
| 58  | 066646     |    | SROUB M8X40                    | BOLT M8x40            | 2  |

**W3674****EB410-a**  
**EB430-a****HYDRAULIKA W3674**  
**HYDRAULICS W3674**

| Po. | Ob.č./No.O | In | Název          | Description      | ks |
|-----|------------|----|----------------|------------------|----|
| 59  | 431736     |    | SROUB M6X20    | BOLT M6x20       | 6  |
| 60  | E9561      | -a | PAKA ROZVADECE | SWITCHGEAR LEVER | 1  |
| 61  | 614892     |    | RUKOJET        | HANDLE           | 1  |
| 62  | E9622      |    | ROZVADEC       | CABINET          | 1  |
| 63  | E9623      | -a | KOSTKA DELICE  | DIVIDER CUBE     | 1  |
| 64  | 180802     |    | DELIC PRUTOKU  | FLOW DIVIDER     | 1  |
| 65  | EA570      |    | DRZAK DELICE   | DIVIDER HOLDER   | 1  |
| 66  | E9777      |    | TRUBKA 1       | TUBE 1           | 1  |
| 67  | E9781      |    | TRUBKA 3       | TUBE 3           | 1  |
| 68  | EA572      |    | POTRUBI 4      | TUBE 4           | 1  |
| 69  | 310512     |    | ZATKA          | PLUG             | 3  |
| 70  | 240512     |    | HRDLO          | NECK             | 5  |
| 71  | 260512     |    | SPOJKA T       | CONNECTOR T      | 2  |
| 72  | 230512     |    | HRDLO          | NECK             | 2  |
| 73  | 150312     |    | SPOJKA         | CONNECTOR        | 1  |
| 74  | E1038      |    | TRUBKA 2       | TUBE 2           | 1  |
| 75  | 380512     |    | KROUZEK        | RING             | 2  |
| 76  | 250512     |    | SPOJKA UHLOVA  | ANGLE CONNECTOR  | 5  |
| 77  | 320512     |    | HADICE         | HOSE             | 1  |
| 78  | 330512     |    | HADICE         | HOSE             | 1  |
| 79  | 110612     |    | HADICE         | HOSE             | 1  |
| 80  | 066660     |    | SROUB M8X50    | BOLT M8x50       | 5  |
| 81  | 067291     |    | SROUB M8X20    | BOLT M8X20       | 1  |
| 82  | 043214     |    | SROUB M6X55    | BOLT M6X55       | 3  |
| 83  | 067242     |    | SROUB M6X16    | BOLT M6x16       | 2  |
| 84  | 041040     |    | PODLOZKA M8    | WASHER M8        | 7  |
| 85  | 041783     |    | PODLOZKA M6    | WASHER M6        | 10 |
| 86  | 596142     |    | MATICE M8      | NUT M8           | 1  |
| 87  | 596275     |    | MATICE M6      | NUT M6           | 5  |



SESTAVA  
 ASSEMBLY 9



\* - je součástí motoru / is part of the engine

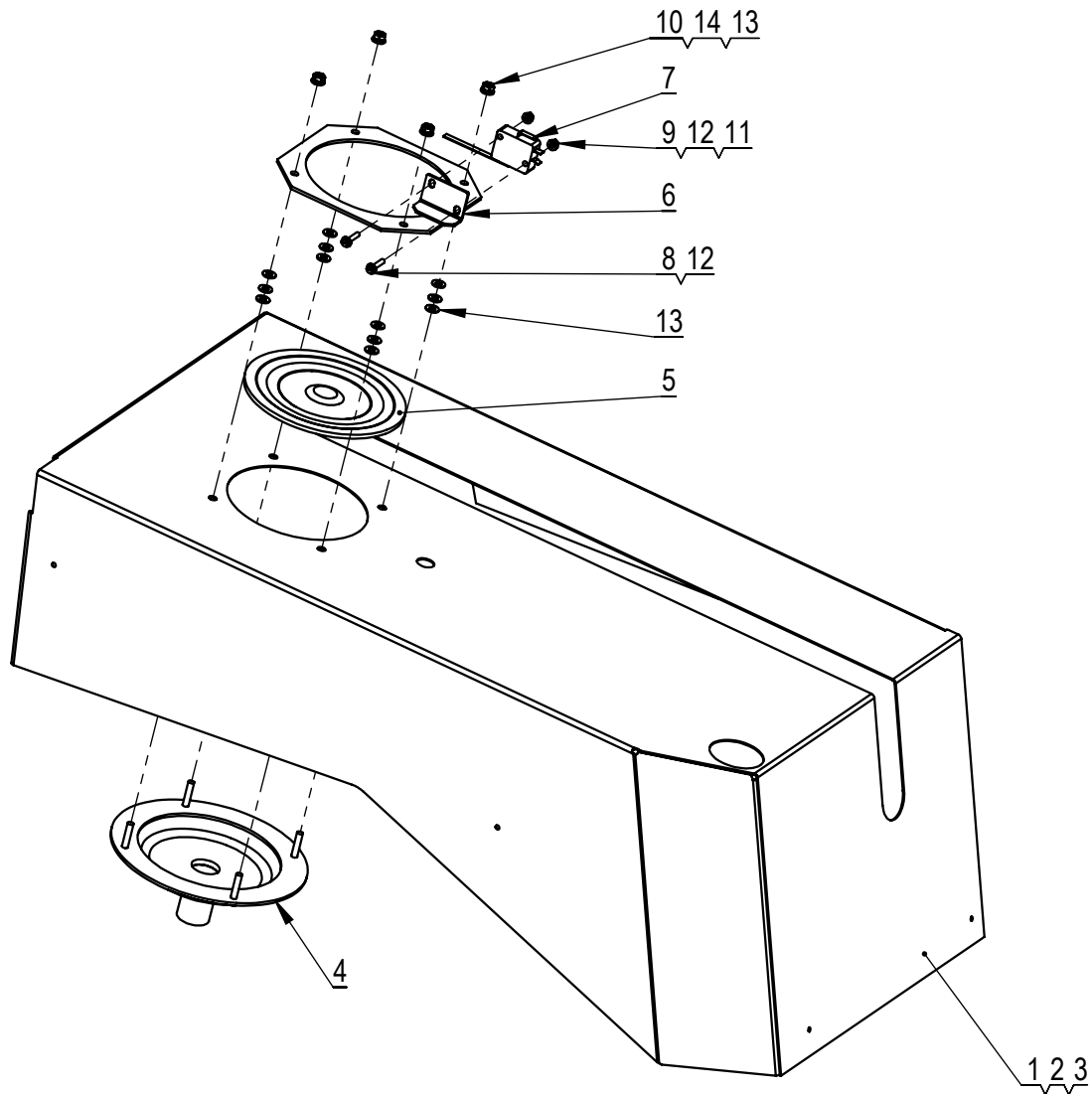
**W3674****EB400-α; EB410-α NMOTOR KAWASAKI W36  
EB420-α; EB430-α KAWASAKI ENGINE W36**

| Po. | Ob.č./No.O | ln | Název                         | Description                   | ks |
|-----|------------|----|-------------------------------|-------------------------------|----|
| 1   | E9411      |    | HRIDEL MOTORU KAWASAKI        | ENGINE SHAFT                  | 1  |
| 2   | E7190      |    | VRTULE UPRAVA                 | FAN 7"                        | 1  |
| 3   | E7178      |    | PODLOZKA                      | WASHER                        | 1  |
| 4   | 067242     |    | SROUB M6X16                   | BOLT M6x16                    | 3  |
| 5   | 041783     |    | PODLOZKA M6                   | WASHER M6                     | 3  |
| 6   | 270908     |    | ELMAG. SPOJKA                 | ELECTROMEGNETIC CLUTCH        | 1  |
| 7   | 010117     |    | MOTOR KAWASAKI FS730V-AS00-S  | ENGINE KAWASAKI FS730V-AS00-S | 1  |
| 8   | E9413      | -a | VYPOUSTECI TRUBKA             | DRAIN PIPE                    | 1  |
| 9   | 226643     |    | KROUZEK 16x2,5                | RING                          | 1  |
| 10  | EA558      | -a | TLUMIC VYFUKU KAW FS 730V     | EXHAUST SILENCER              | 1  |
| 11  | 070084     |    | MATICE M8                     | NUT M8                        | 4  |
| 12  | 276721     |    | PODLOZKA 8                    | SPRING WASHER 8               | 4  |
| 13  | EA569      |    | DRZAK TLUMICE                 | SILENCER BRACKET              | 1  |
| 14  | E8763      | -a | DESKA PUPMPY                  | PUMP PLATE                    | 1  |
| 15  | 235849     |    | HYDRAULICKE CERPADLO          | HYDROGENERATOR                | 1  |
| 16  | EA873      | -a | ŘEMENICE Z40                  | PULLEY                        | 1  |
| 17  | E7207      |    | UPRAVA VRTULE                 | FAN                           | 1  |
| 18  | 290615     |    | PERO 5X5X36                   | PARALLEL KEY 5x5x36           | 1  |
| 19  | E8294      |    | PATKA CERPADLA                | FLAP PUMP                     | 1  |
| 20  | E7035      | -a | TAHLO P                       | DRAW ROD R                    | 1  |
| 21  | E0437      |    | CEP                           | PIN                           | 1  |
| 22  | E7294      |    | PODLOZKA                      | WASHER                        | 1  |
| 23  | 041783     |    | PODLOZKA M6                   | WASHER M6                     | 4  |
| 24  | 310507     |    | PODLOZKA 6 NORD-LOCK SP (6HR) | WASHER 6 NORD-LOCK            | 1  |
| 25  | 200308     |    | PODLOZKA M10                  | WSHER M10                     | 2  |
| 26  | 024931     |    | PODLOZKA M10                  | WASHER M10                    | 2  |
| 27  | 070812     |    | PODLOZKA 8,4                  | WASHER 8,4                    | 4  |
| 28  | 041040     |    | PODLOZKA M8                   | WASHER M8                     | 1  |
| 29  | 067242     |    | SROUB M6X16                   | BOLT M6x16                    | 4  |
| 30  | 290806     |    | SROUB M6X20                   | BOLT M6x20                    | 1  |
| 31  | 067340     |    | SROUB M10X25                  | BOLT M10X25                   | 2  |
| 32  | 664284     |    | SROUB M8X18                   | BOLT M8x18                    | 2  |
| 33  | 509954     |    | ZAVLACKA 2x14                 | COTTER PIN 2x14               | 2  |
| 34  | 596142     |    | MATICE M8                     | NUT M8                        | 1  |
| 35  | 070084     |    | MATICE M8                     | NUT M8                        | 1  |
| 36  | E6945      |    | PERO NASTAVCE HRIDELE         | PARALLEL KEY                  | 1  |
| 37  | E9036      | -a | TAHLO                         | DRAW ROD                      | 1  |
| 38  | E9035      |    | PRUZINA NAPINANI SPOJKY       | CLUTCH TENSION SPRING         | 1  |
| 39  | D5043      |    | HACEK                         | HOOK                          | 1  |
| 40  | E8097      |    | ODTLACOVAC                    | TAKE-UP                       | 2  |
| 41  | 040775A    |    | REMEN POHONU CERPADLA         | PUMP DRIVE BELT               | 1  |
| 42  | D3551      |    | OVLADAC SYTICE                | CHOKE CONTROL                 | 1  |
| 43  | E9552      |    | DRZAK SYTICE                  | CHOKE HOLDER                  | 1  |
| 44  | 151107     |    | SPONA HADICOVA                | HOSE CLAMP                    | 1  |
| 45  | Y0897      |    | HADICE NA PALIVO 8/14         | FUEL HOSE                     | 1  |
| 46  | EA193      |    | KRYT TLUMICE                  | SILENCER COVER                | 1  |
| 47  | 062421     |    | SROUB M8X20                   | BOLT M8x20                    | 4  |
| 48  | 070812     |    | PODLOZKA 8,4                  | WASHER 8,4                    | 6  |
| 49  | 070084     |    | MATICE M8                     | NUT M8                        | 5  |
| 50  | 041040     |    | PODLOZKA M8                   | WASHER M8                     | 8  |
| 51  | 041115     |    | SROUB M6X16                   | BOLT M6X16                    | 4  |

**W3674****EB400-a; EB410-a NMOTOR KAWASAKI W36  
EB420-a; EB430-a KAWASAKI ENGINE W36**

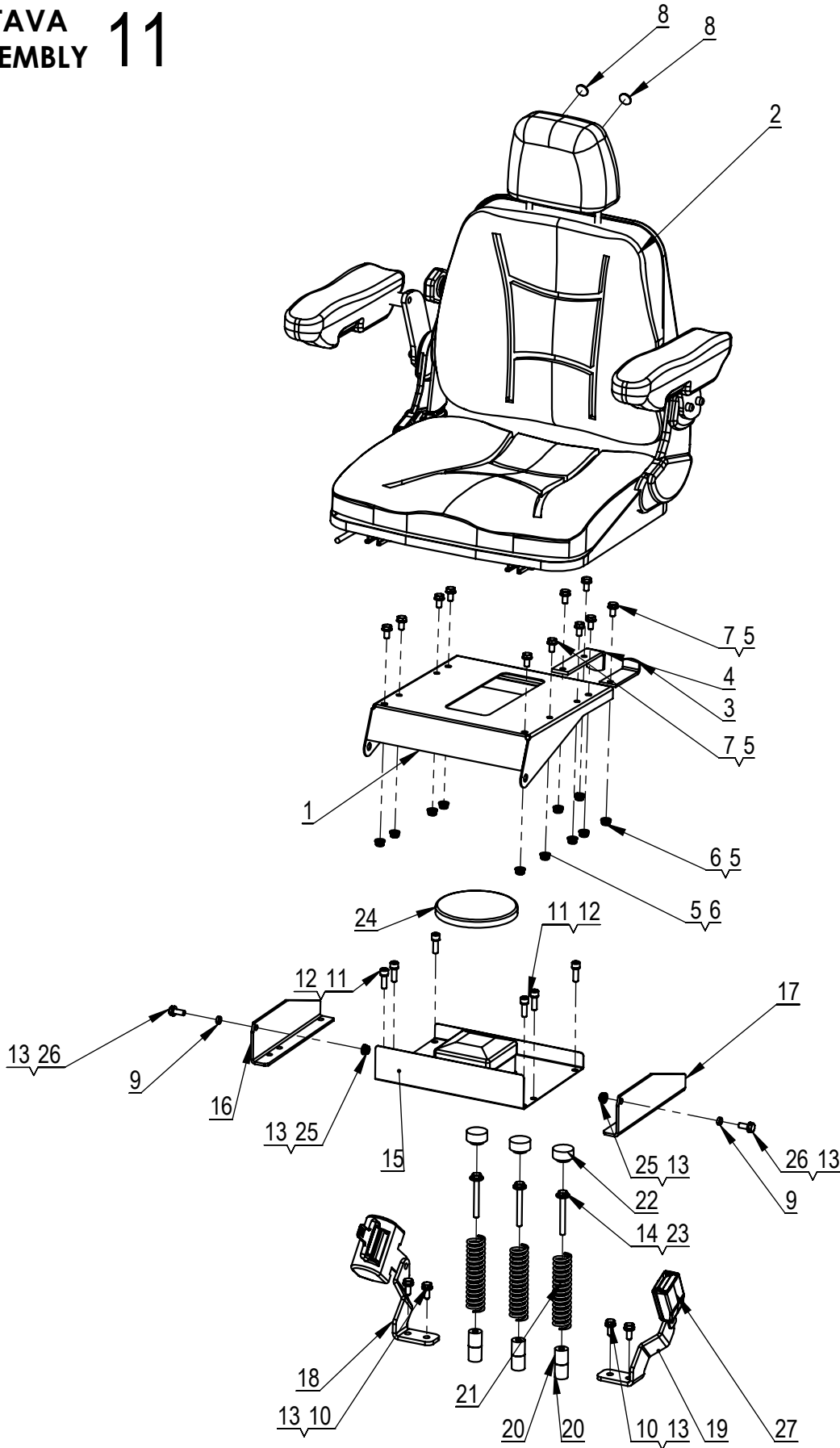
| Po. | Ob.č./No.O | In | Název                         | Description               | ks |
|-----|------------|----|-------------------------------|---------------------------|----|
| 52  | 020113     |    | SROUB 3/8"-16x1 1/4"UNC       | BOLT 3/8"-16x1 1/4"UNC    | 4  |
| 53  | 170532     |    | SROUB 7/16"-20X4.1/2" UNF     | BOLT 7/16"-20X4.1/2" UNF  | 1  |
| 54  | 067333     |    | SROUB M10X20                  | BOLT M10x20               | 4  |
| 55  | 067291     |    | SROUB M8X20                   | BOLT M8x20                | 2  |
| 56  | D3624      |    | PODLOZKA                      | WASHER                    | 4  |
| 57  | 290507     |    | PODLOZKA 10 NORD-LOCK         | WASHER 10 NORD-LOCK       | 4  |
| 58  | 022025     |    | PODLOZKA 12 NORD-LOCK NLSP-ST | WASHER 12 NORD-LOCK       | 1  |
| 59  | 024931     |    | PODLOZKA M10                  | WASHER M10                | 4  |
| 60  | 071226     |    | PODLOZKA 8,4                  | WASHER 8,4                | 2  |
| 61  | 596142     |    | MATICE M8                     | NUT M8                    | 3  |
| 62  | EA185      |    | OVLADANI PLYNU W3674          | THROTTLE CONTROL W3674    | 1  |
| 63  | E9994      |    | HRIDEL PLYNU KWSI             | SHAFT                     | 1  |
| 64  | 614906     |    | TRECI PODLOZKA                | FRICTION WASHER           | 1  |
| 65  | 614836     |    | PRUZINA TALIROVA              | DISC SPRING               | 1  |
| 66  | 522522     |    | PERO 4X4X12                   | PARALLEL KEY              | 1  |
| 67  | 52171      | -a | PAKA                          | LEVER                     | 1  |
| 68  | 52173      | -a | PAKA                          |                           | 1  |
| 69  | 614892     |    | RUKOJET                       | HANDLE                    | 1  |
| 70  | EA186      |    | LANKO-BOWDEN PLYNU            | THROTTLE CABLE/BOWDEN     | 1  |
| 71  | 644292     |    | VRATNA PRUZINA                | SPRING                    | 1  |
| 72  | 52179      |    | KROUZEK                       | RING                      | 1  |
| 73  | 614843     |    | SROUB M8x1                    | BOLT M8x1                 | 1  |
| 74  | 300512     |    | KRYT CERPADLA                 | PUMP COVER                | 1  |
| 75  | 071205     |    | PODLOZKA 5,3                  | WASHER 5,3                | 4  |
| 76  | 580792     |    | SROUB M5X16                   | BOLT M5X16                | 4  |
| 77  |            |    |                               |                           |    |
| 78  | F219001    |    | FILTR OLEJOVY                 | OIL FILTR                 |    |
| 79  | F219002    |    | FILTR VZDUCHOVY               | AIR CLEANER PAPER ELEMENT |    |
| 80  | F219003    |    | PREDCISTIC K VZDUCH. FILTRU   | AIR CLEANER FOAM ELEMENT  |    |
| 81  | F219004    |    | FILTR PALIVA                  | FUEL FILTER               |    |
| 82  | 229460     |    | TESNENI VYFUKU                | EXHAUST GASKET            |    |
| 83  | F211710    |    | CIVKA ZAPALOVANI              | IGNITION COIL             |    |
| 84  |            |    | SVICKA MOTORU                 | SPARK PLUG                |    |

W3674

EB400-a; EB410-a BALTIK PRAVY  
EB420-a; EB430-a FENDER RIGHTSESTAVA  
ASSEMBLY 10

| Po. | Ob.č./No.O | In | Název                          | Description                   | ks |
|-----|------------|----|--------------------------------|-------------------------------|----|
| 1   | E9634      |    | BLATNIK PRAVY PRO EB400        | FENDER RIGHT                  | 1  |
| 2   | E1018      |    | BLATNIK PRAVY PRO EB410        | FENDER RIGHT FOR EB410        | 1  |
| 3   | EA156      | a  | BLATNIK PRAVY PRO EB420, EB430 | FENDER RIGHT FOR EB420, EB430 | 1  |
| 4   | E8671      |    | PRIRUBA                        | FLANGE                        | 1  |
| 5   | 017822     |    | MEMBRANA                       | MEMBRANE                      | 1  |
| 6   | E0100      |    | PRIRUBA                        | FLANGE                        | 1  |
| 7   | E0103      |    | MIKROSPINAC                    | MICROSWITCH                   | 1  |
| 8   | 063962     |    | SROUB M3X16                    | BOLT M3x16                    | 2  |
| 9   | 069134     |    | MATICE M3                      | NUT M3                        | 2  |
| 10  | 069141     |    | MATICE M4                      | NUT M4                        | 4  |
| 11  | 288063     |    | PODLOZKA 3                     | WASHER 3                      | 2  |
| 12  | 310440     |    | PODLOZKA 3,2                   | WASHER 3,2                    | 4  |
| 13  | 070462     |    | PODLOZKA 4,3                   | WASHER 4,3                    | 16 |
| 14  | 279020     |    | PODLOZKA 4                     | WASHER 4                      | 4  |

SESTAVA ASSEMBLY 11



**W3674****EB400-a; EB410-a SEDACKA  
EB420-a; EB430-a SEAT**

| Po. | Ob.č./No.O | In | Název                 | Description         | ks |
|-----|------------|----|-----------------------|---------------------|----|
| 1   | E8535      |    | NOSIC SEDACKY         | SEAT PLATE          | 1  |
| 2   | E2417      |    | SEDADLO RM52-UPRAVA   | SEAT                | 1  |
| 3   | E2158      |    | DORAZ SEKACKY         | SEAT STOPPER        | 1  |
| 4   | E2371      |    | DORAZ SEDACKY         | SEAT STOPPER        | 1  |
| 5   | 070812     |    | PODLOZKA 8,4          | WASHER 8,4          | 22 |
| 6   | 596142     |    | MATICE M8             | NUT M8              | 11 |
| 7   | 062414     |    | SROUB M8X16           | BOLT M8X16          | 11 |
| 8   | 021114     |    | TLUMIC NARAZU PRYZOVY | SHOCK ABSORBER      | 2  |
| 9   | Y0414      |    | ROZPERKA              | SPACER              | 2  |
| 10  | 041154     |    | SROUB M8X20           | BOLT M8x20          | 4  |
| 11  | 068090     |    | SROUB M8X25           | BOLT M8 x25         | 6  |
| 12  | 276721     |    | PODLOZKA 8            | SPRING WASHER 8     | 6  |
| 13  | 070812     |    | PODLOZKA 8,4          | WASHER 8,4          | 8  |
| 14  | 120784     |    | SROUB M8X70           | BOLT M8x70          | 3  |
| 15  | E8304      | -a | SCHRANKA              | BOX                 | 1  |
| 16  | E8538      |    | KONZOLA SEDACKY P     | SEAT CONSOLE R      | 1  |
| 17  | E8537      |    | KONZOLA SEDACKY L     | SEAT CONSOLE L      | 1  |
| 18  | EA217      |    | DRZAK PASU P          | SEAT BELT BRACKET R | 1  |
| 19  | EA218      |    | DRZAK PASU L          | SEAT BELT BRACKET L | 1  |
| 20  | 008156     |    | VALECEK               | ROLLER              | 6  |
| 21  | 022346     |    | PRUZINA SEDACKY       | SEAT SPRING         | 3  |
| 22  | 008170     |    | VICKO                 | CAP                 | 3  |
| 23  | E1056      |    | PODLOZKA 21x8,5x2,5   | WASHER 21x8,5x2,5   | 3  |
| 24  | 070813     |    | KRYTKA OTVORU NADRZE  | FUEL TANK CAP       | 1  |
| 25  | 596142     |    | MATICE M8             | NUT M8              | 2  |
| 26  | 067291     |    | SROUB M8X20           | BOLT M8X20          | 2  |
| 27  | 160412     |    | PAS BEZPECNOSTNI      |                     | 1  |

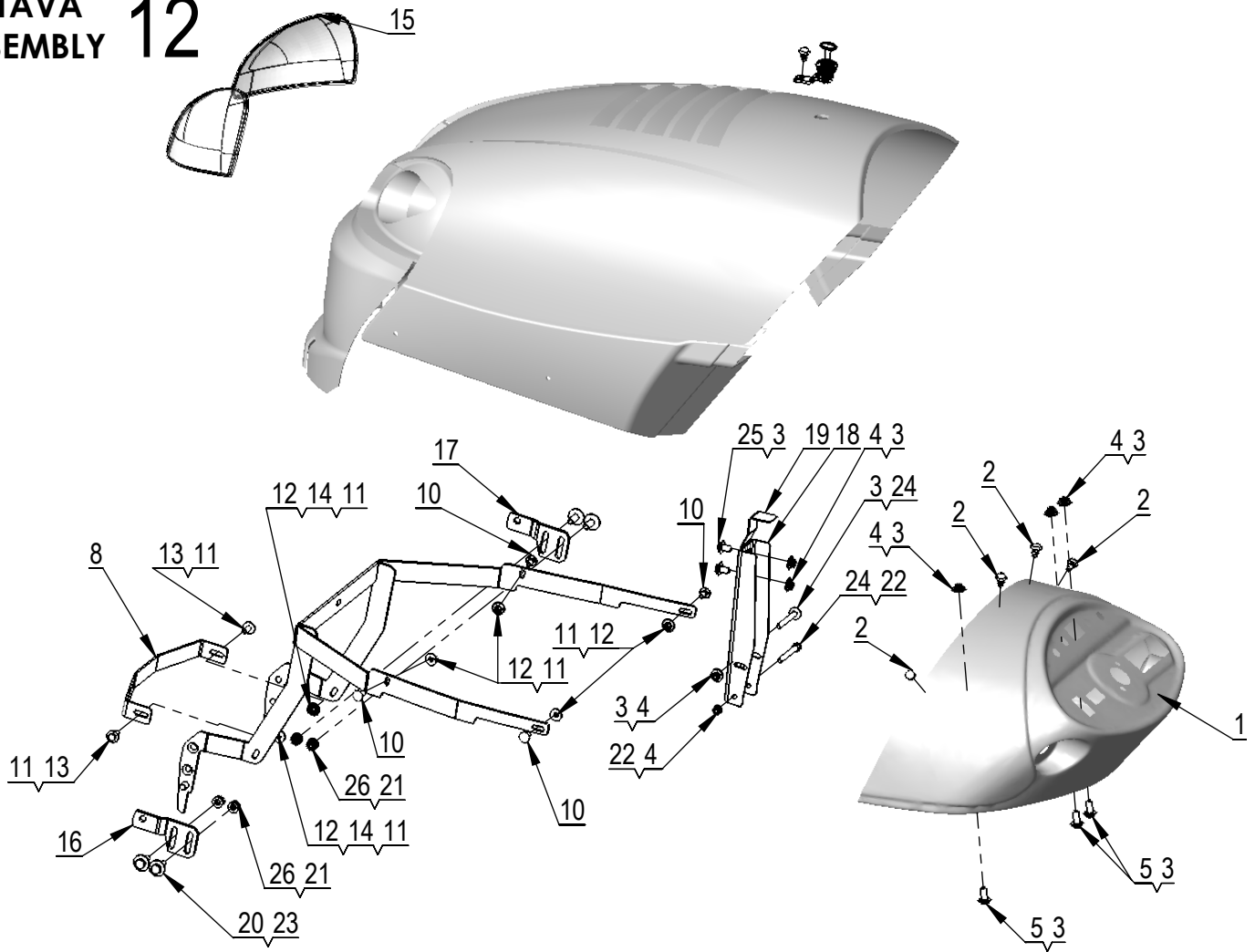
W3674

EB400-α; EB410-α KAPOTA UPLNA  
EB420-α; EB430-α COMPLETE HOOD



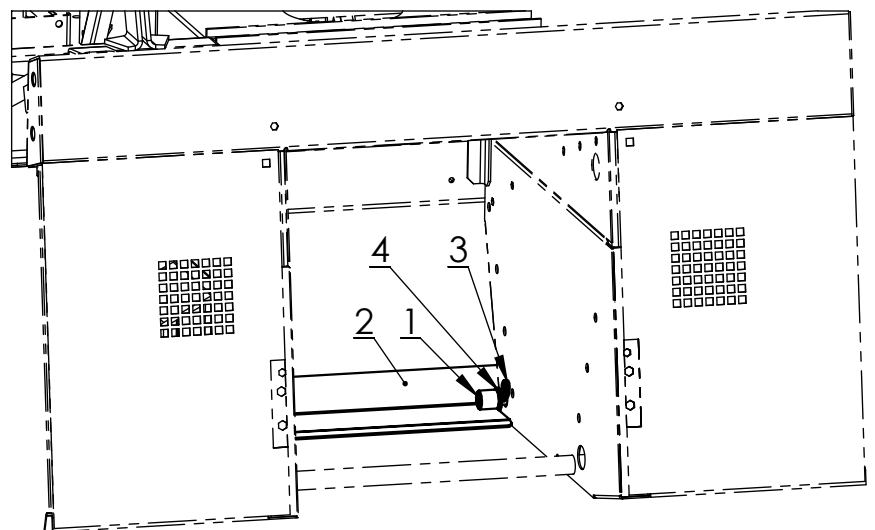
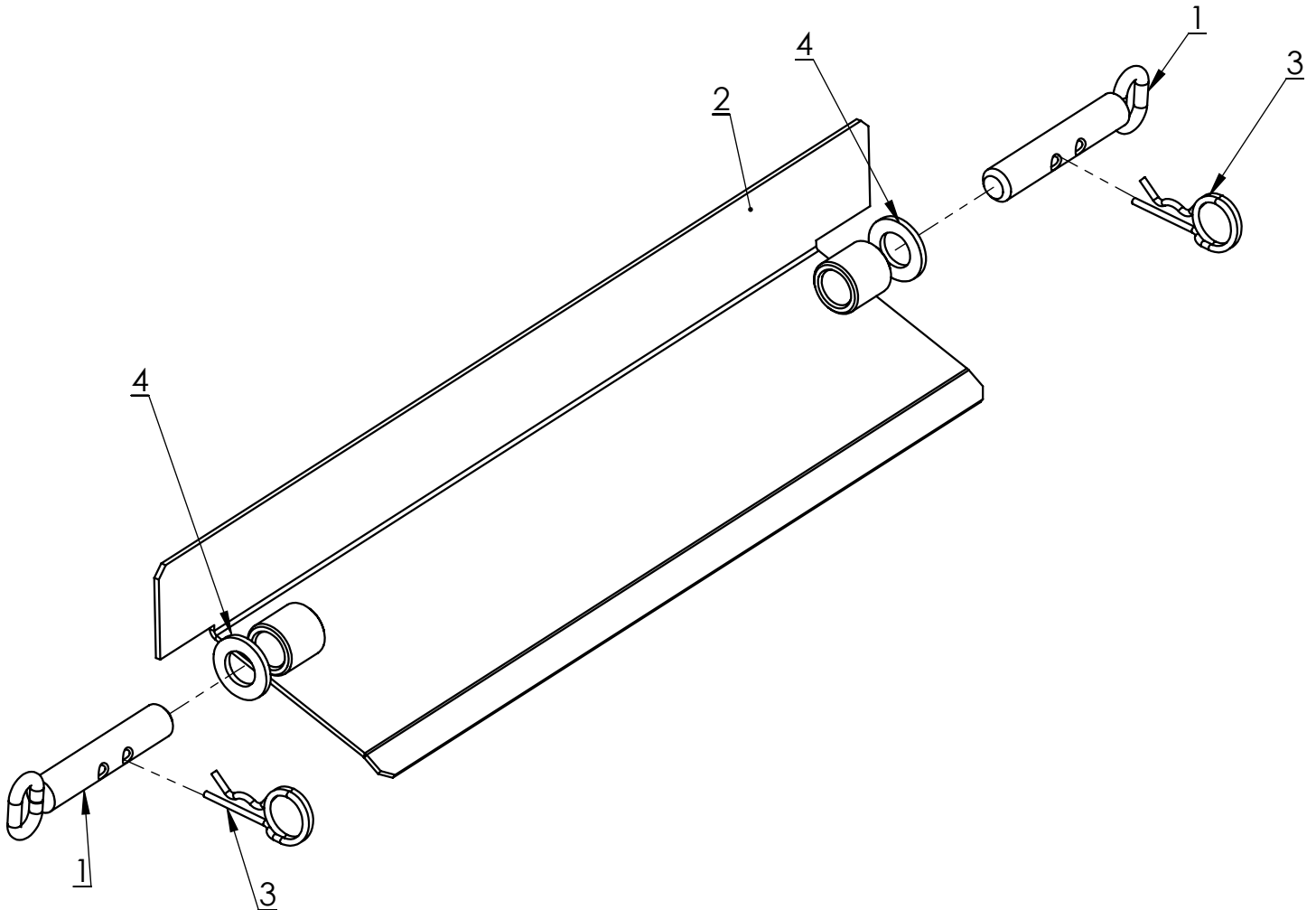
SESTAVA  
ASSEMBLY

12



| Po. | Ob.č./No.O | In | Název                | Description                 | ks |
|-----|------------|----|----------------------|-----------------------------|----|
| 1   | EB296      |    | PANEL W36            | PANEL W36                   | 1  |
| 2   | 281108     |    | PRYZOVY DORAZ        | RUBBER BUMPER               | 4  |
| 3   | 071212     |    | PODLOZKA 6,4         | WASHER 6,4                  | 12 |
| 4   | 596275     |    | MATICE M6            | NUT M6                      | 7  |
| 5   | 431736     |    | SROUB M6X20          | BOLT M6x20                  | 3  |
| 6   | EA183      |    | KAPOTA S PRISL.W3674 | HOOD WITH ACCESSORIES W3674 | 1  |
| 7   | EB038      |    | RAM KAPOTY W31-36 SV | HOOD FRAME                  | 1  |
| 8   | E8943      | -a | VYZTUHA KAPOTY       | REINFORCEMENT               | 1  |
| 9   | E2193      |    | ZAMEK KAPOTY         | HOOD LOCK                   | 1  |
| 10  | 270809     |    | SROUB M6X16          | BOLT M6x16                  | 4  |
| 11  | 071212     |    | PODLOZKA 6,4         | WASHER 6,4                  | 8  |
| 12  | 596275     |    | MATICE M6            | NUT M6                      | 6  |
| 13  | 431736     |    | SROUB M6X20          | BOLT M6x20                  | 2  |
| 14  | 041783     |    | PODLOZKA M6          | WASHER M6                   | 2  |
| 15  | E4423-a    |    | SADA SKLICEK L+P     | LIGHT BULB COVER SET        | 1  |
| 16  | E9890      |    | DRZAK L              | HOLDER L                    | 1  |
| 17  | E9891      |    | DRZAK P              | HOLDER R                    | 1  |
| 18  | EA136      |    | VZPERA               | STRUT                       | 1  |
| 19  | E2361      |    | DORAZ                | BUMPER                      | 1  |
| 20  | 071226     |    | PODLOZKA 8,4         | WASHER 8,4                  | 4  |
| 21  | 070812     |    | PODLOZKA 8,4         | WASHER 8,4                  | 4  |
| 22  | 070805     |    | PODLOZKA 6,4         | WASHER 6,4                  | 2  |
| 23  | 067305     |    | SROUB M8X25          | BOLT M8X25                  | 4  |
| 24  | 008555     |    | SROUB M6X65          | BOLT M6X65                  | 2  |
| 25  | 067242     |    | SROUB M6X16          | BOLT M6x16                  | 2  |
| 26  | 596142     |    | MATICE M8            | NUT M8                      | 4  |

W3674

EB400-α; EB410-α  
EB420-α; EB430-αPOJISTNI SADA KLAPKY  
LOCKING KITSESTAVA  
ASSEMBLY 13

| Po. | Ob.č./No.O | In | Název           | Description       | ks |
|-----|------------|----|-----------------|-------------------|----|
| 1   | E1012      |    | OPERNY CEP      | SUPPORT PIN       | 2  |
| 2   | E1336      |    | PODPERA KLAPKY  | FLAP SUPPORT      | 1  |
| 3   | 114635     |    | ZAVLACKA PRUZNA | SPRING COTTER PIN | 2  |
| 4   | 070532     |    | PODLOZKA 17     | WASHER 17         | 2  |

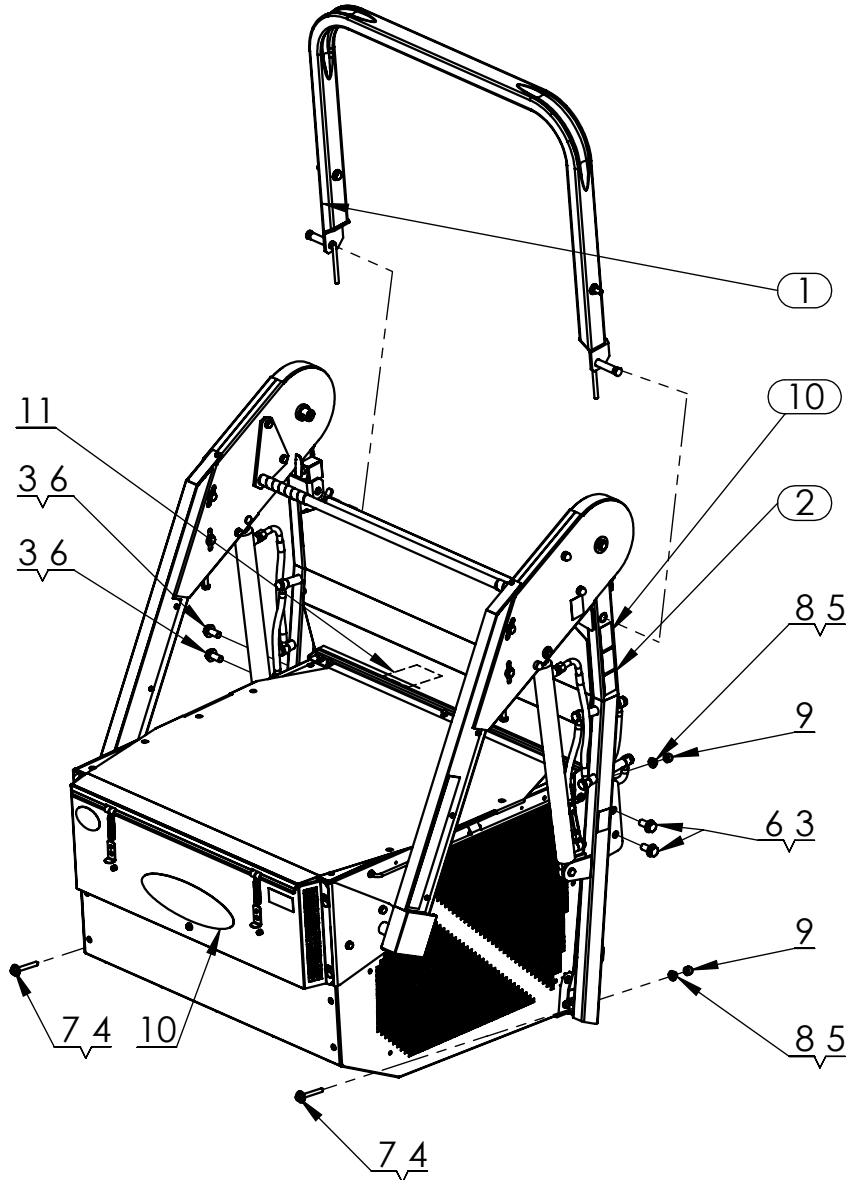


Číslo katalogu: W3674  
Pro výrobce: WISCONSIN ENGINEERING, WISCONSIN, WISCONSIN, USA  
Zatvárný hřebík  
VÝROBCE: Wisconsin Engineering CZ s.r.o.  
PROJEKTOVATEL: WISCONSIN ENGINEERING, WISCONSIN, WISCONSIN, USA  
Distribuční společnost: WISCONSIN ENGINEERING CZ  
RETENČNÍČEK | MOTOCYCLO: 300kg  
Abstrakce, 32 mm 300 kg v závislosti na  
ISO 21222:2002

E2284 (CZ)

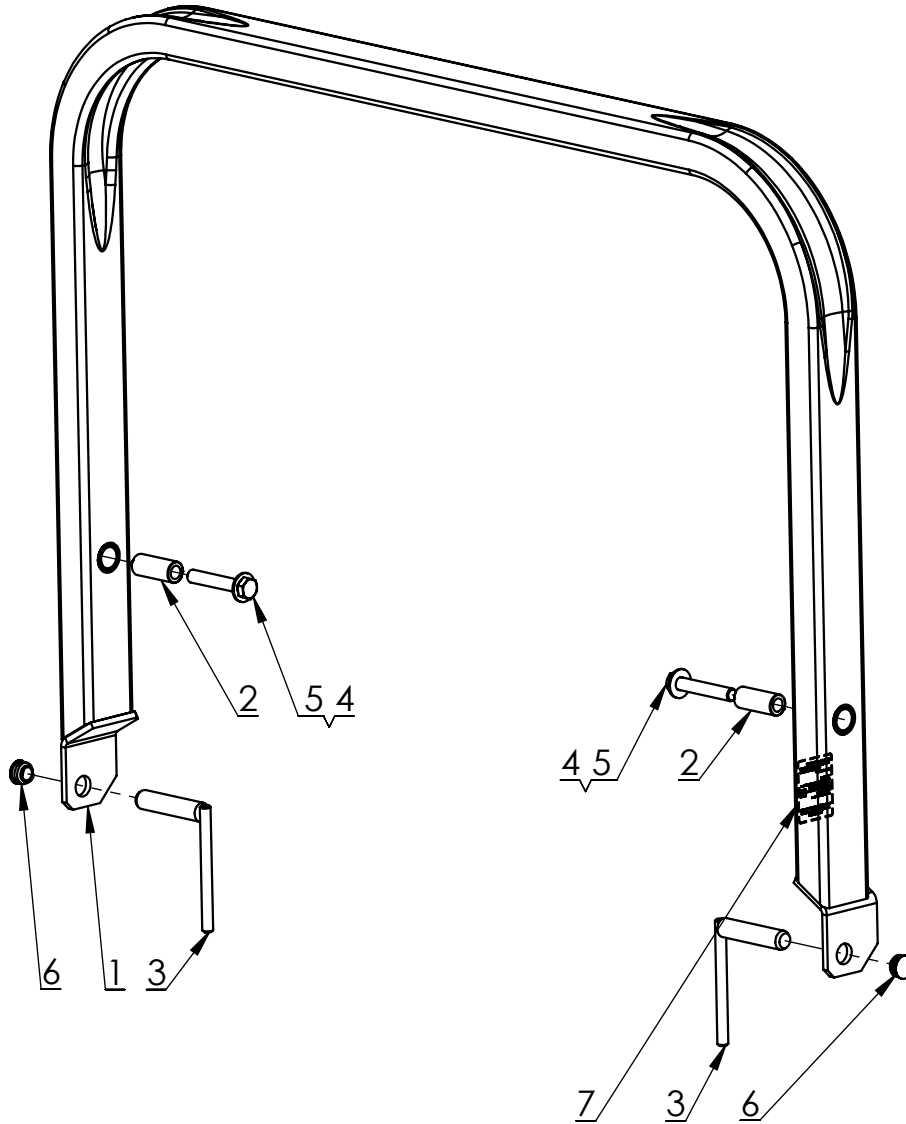
W3674  
W3651

Y0112-Y0114 ZASOBNÍK VYSOKOZDV. S OBLOUKEM  
HIGH LIFT COLLECTOR WITH ROPS



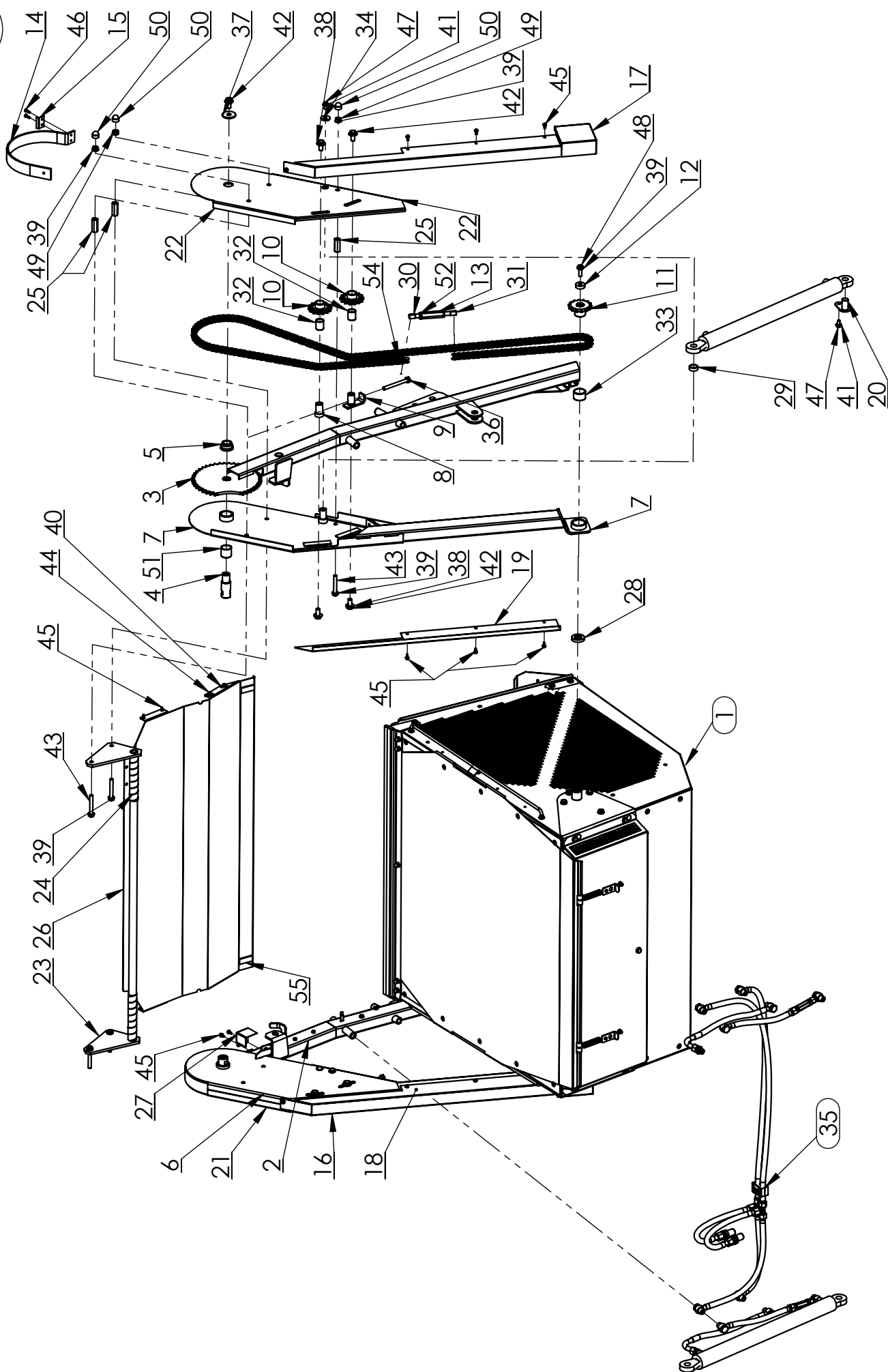
| Po. | Ob.č./No.O | In | Název                            | Description         | ks |
|-----|------------|----|----------------------------------|---------------------|----|
| 1   | E2491      |    | OBLOUK OCHRANNÝ                  | ROPS                | 1  |
| 2   | EA085      |    | ZASOBNÍK VYSOKOZDVIZNÝ           | HIGH LIFT COLLECTOR | 1  |
| 3   | 041687     |    | PODLOZKA M16                     | WASHER M16          | 4  |
| 4   | 071233     |    | PODLOZKA 10,5                    | WASHER 10,5         | 2  |
| 5   | 200308     |    | PODLOZKA M10                     | WSHER M10           | 2  |
| 6   | 131106     |    | SROUB M16X35                     | BOLT M16x35         | 4  |
| 7   | 551015     |    | SROUB M10x80                     | BOLT M10x80         | 2  |
| 8   | 596163     |    | MATICE M10                       | NUT M10             | 2  |
| 9   | 370411     |    | KRYTKA MATIC M10                 | NUT CAP M10         | 2  |
| 10  | EB167      |    | NÁLEPKY                          | DECALS              | 1  |
| 11  | EB481      |    | NALEPKA NEMANIPULOVAT BEZ MOTORU | DECALS              | 1  |

1



| Po. | Ob.č./No.O | In | Název                    | Description | ks |
|-----|------------|----|--------------------------|-------------|----|
| 1   | E2004      |    | OBLOUK OCHRANY           | ROPS        | 1  |
| 2   | E2009      |    | ROZPERKA                 | SPACER      | 2  |
| 3   | E2199      | -a | CEP                      | PIN         | 2  |
| 4   | 027776     |    | PODLOZKA M12             | WASHER M12  | 2  |
| 5   | 412102     |    | SROUB M12X70             | NUT M12x70  | 2  |
| 6   | 280211A    |    | ZATKA 22X0,8-2,2         | STOPPER     | 2  |
| 7   | E2284-CZ   |    | STITEK - OCHRANNY OBLOUK | DECALS      | 1  |

2

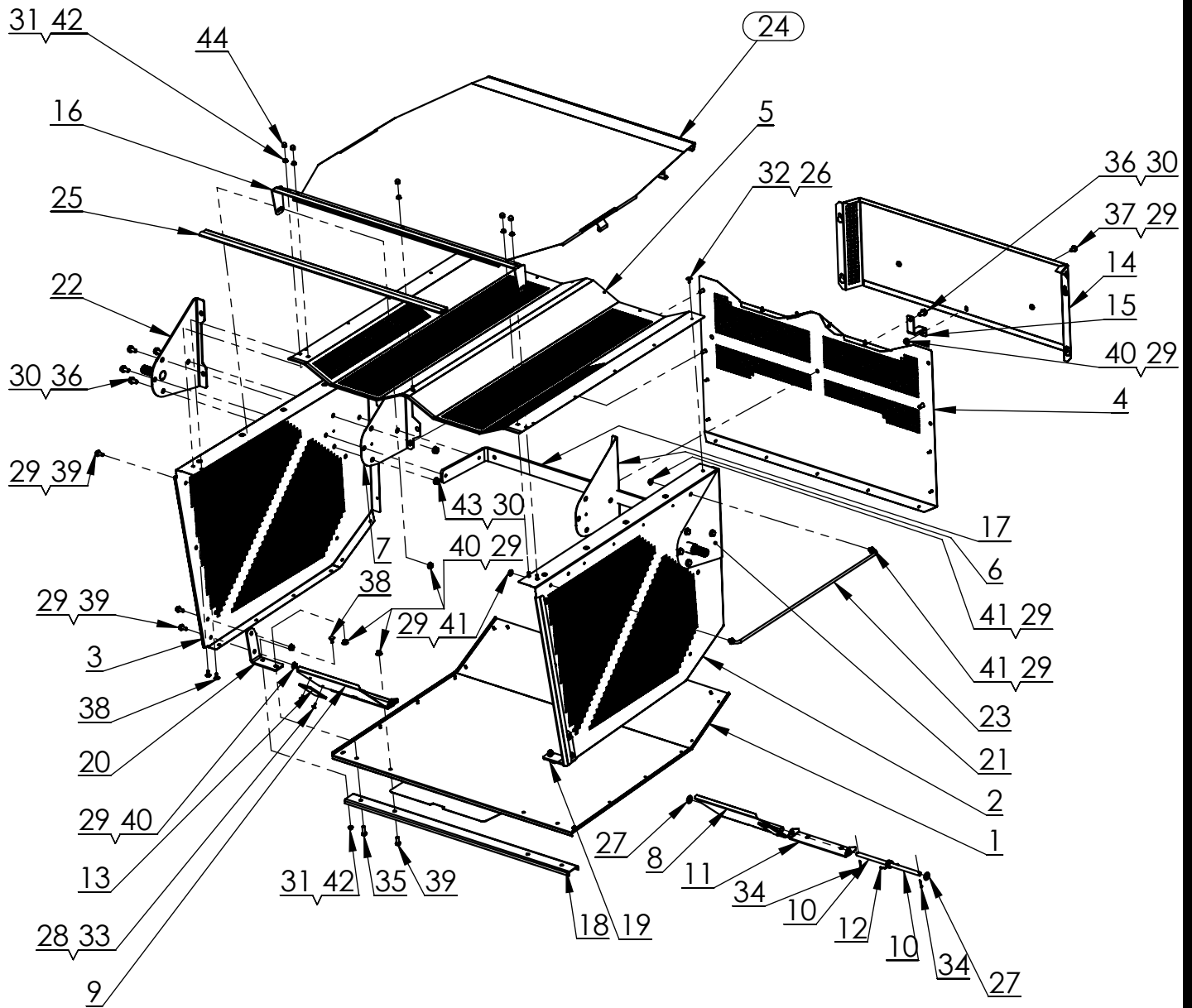


Y0112

EA085 ZASOBNIK VYSOKOZDVIZNY  
HIGH LIFT COLLECTOR

| Po. | Ob.č./No.O | In | Název                  | Description           | ks |
|-----|------------|----|------------------------|-----------------------|----|
| 1   | EA070      |    | ZASOBNIK VYSOKOZDVIZNY | HIGH LIFT COLLECTOR   | 1  |
| 2   | E2330      |    | RAM L                  | FRAME L               | 1  |
| 3   | E2331      |    | RAM P                  | FRAME R               | 1  |
| 4   | E2007      | -a | CEP                    | SHAFT                 | 2  |
| 5   | E2012      |    | CEP                    | SHAFT                 | 2  |
| 6   | E9172      | -a | DESKA VNITRNI L        | PANEL INNER L         | 1  |
| 7   | E9173      | -a | DESKA VNITRNI P        | PANEL INNER R         | 1  |
| 8   | E1624      | -a | CEP                    | SHAFT                 | 2  |
| 9   | E1626      | -a | CEP                    | PIN                   | 2  |
| 10  | E1627      |    | RETEZKA Z=14           | SPROCKET Z=14         | 4  |
| 11  | E9200      |    | RETEZKA Z=14           | SPROCKET Z=14         | 2  |
| 12  | E9309      |    | ROZPERKA 11x30-10      | SPACER                | 2  |
| 13  | E1373      |    | MATICE M12 PL          | MUT M12 RL            | 2  |
| 14  | E2202      |    | CLONA                  | APERTURE              | 2  |
| 15  | E2203      |    | DRZAK                  | HOLDER                | 2  |
| 16  | E2016      | -a | KRYT RETEZU VNEJSI L   | COVER OUTER L         | 1  |
| 17  | E2017      | -a | KRYT RETEZU VNEJSI P   | COVER OUTER R         | 1  |
| 18  | E2018      |    | KRYT RETEZU VNITRNI L  | COVER INNER L         | 1  |
| 19  | E2019      |    | KRYT RETEZU VNITRNI P  | COVER INNER R         | 1  |
| 20  | E9218      | -a | CEP                    | PIN                   | 2  |
| 21  | E9182      | -a | KRYT VNEJSI L          | COVER OUTER L         | 1  |
| 22  | E9183      | -a | KRYT VNEJSI P          | COVER OUTER R         | 1  |
| 23  | E9295      |    | VZPERA RAMEN           | ARM STRUT             | 1  |
| 24  | E2350      |    | OPREDENI               | BRAIDING              | 2  |
| 25  | E9196      |    | ROZPERKA               | SPACER                | 6  |
| 26  | E1339      |    | CLONA ZADNI            | REAR PLATE            | 1  |
| 27  | E1428      | -a | KRYT SPINACE           | SWITCH COVER          | 1  |
| 28  | E9204      |    | KROUZEK                | RING                  | 2  |
| 29  | E9189      |    | ROZPERKA               | SPACER                | 2  |
| 30  | E1374      |    | TAHLO RETEZU M12P      | CHAIN TENSIONER M12 R | 2  |
| 31  | E1375      |    | TAHLO RETEZU M12L      | CHAIN TENSIONER M12 L | 2  |
| 32  | 291014     |    | KLUZNE POUZDRO         | BUSHING               | 4  |
| 33  | 220393     |    | KLUZNE POUZDRO         | BUSHING               | 2  |
| 34  | G0229      |    | PODLOZKA               | WASHER                | 2  |
| 35  | E2397      |    | HYDRAULIKA             | HIGH LIFT HYDRAULICS  | 1  |
| 36  | E9209      |    | SROUB M10X100          | BOLT M10x100          | 2  |
| 37  | 190411     |    | PODLOZKA 13,5          | WASHER 13,5           | 2  |
| 38  | 027776     |    | PODLOZKA M12           | WASHER M12            | 10 |
| 39  | 024931     |    | PODLOZKA M10           | WASHER M10            | 14 |
| 40  | 041783     |    | PODLOZKA M6            | WASHER M6             | 4  |
| 41  | 041040     |    | PODLOZKA M8            | WASHER M8             | 4  |
| 42  | 277156     |    | SROUB M12X25           | BOLT M12x25           | 10 |
| 43  | 260813     |    | SROUB M10X70           | BOLT M10x70           | 6  |
| 44  | 094553     |    | SROUB M6X12            | BOLT M6X12            | 4  |
| 45  | 454951     |    | SROUB 4,8X13           | BOLT 4,8x13           | 20 |
| 46  | 231009     |    | SROUB 4,8X19           | BOLT 4,8x19           | 4  |
| 47  | 067284     |    | SROUB M8x16            | BOLT M8x16            | 4  |
| 48  | 067354     |    | SROUB M10X30           | BOLT M10X30           | 2  |
| 49  | 070091     |    | MATICE M10             | NUT M10               | 6  |
| 50  | 370411     |    | KRYTKA MATIC M10       | NUT CAP M10           | 6  |
| 51  | 212562     |    | POUZDRO JU 3030        | BUSHING               | 2  |
| 52  | 069463     |    | MATICE M12             | NUT M12               | 2  |
| 53  |            |    |                        |                       | 1  |
| 54  | 301014     |    | RETEZ ZVEDANI KOSE     | CHAIN + 2xCLUTCH      | 2  |
| 55  | Y1140      |    | PASEK KOSE L=50        |                       | 2  |

2-1



Y0112

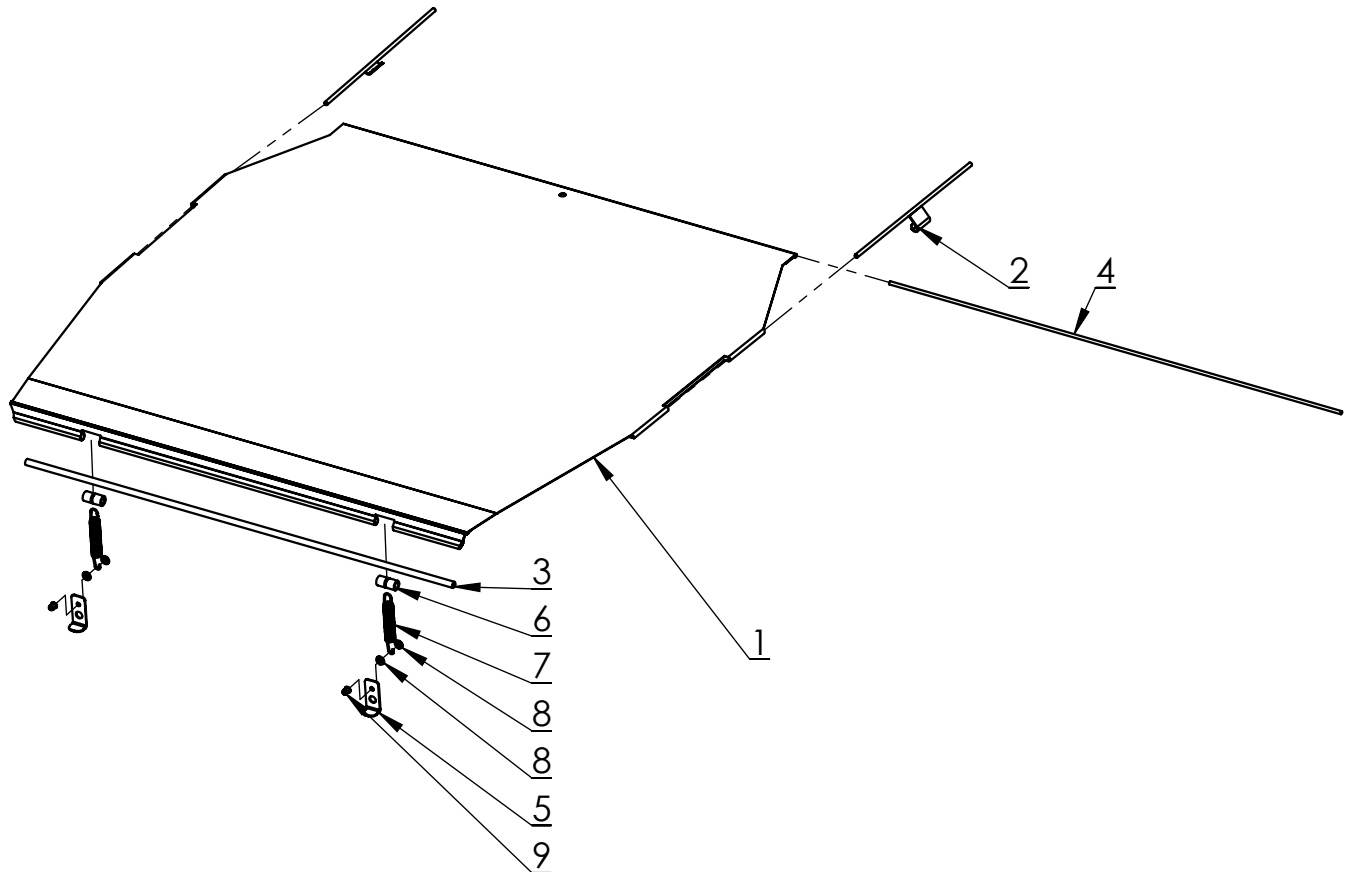
EA070 ZASOBNIK VYSOKOZDVIZNY  
HIGH LIFT COLLECTOR

| Po. | Ob.č./No.O | In | Název                   | Description          | ks |
|-----|------------|----|-------------------------|----------------------|----|
| 1   | E2436      |    | DNO ZASOBNIKU           | BOTTOM               | 1  |
| 2   | E2437-a    | -a | BOCNICE L               | SIDE PLATE L         | 1  |
| 3   | E2438      | -a | BOCNICE R               | SIDE PLATE R         | 1  |
| 4   | E2439      |    | VYPLN ZADNI             | BACK OF FILLER       | 1  |
| 5   | E2440      |    | SITO                    | SIEVE                | 1  |
| 6   | EA071      |    | VYZTUHA BOCNICE L       | END STIFFENER L      | 1  |
| 7   | EA072      |    | VYZTUHA BOCNICE P       | END STIFFENER R      | 1  |
| 8   | E9226      |    | KLAPKA L                | SHUTTER L            | 1  |
| 9   | E9227      |    | KLAPKA P                | SHUTTER R            | 1  |
| 10  | E9235      | -a | CEP                     | SHAFT                | 2  |
| 11  | E9225      |    | TRMEN                   | STIRRUP              | 2  |
| 12  | E9442      |    | PRUZINA KLAPKY          | SPRING               | 2  |
| 13  | E9337      |    | DORAZ PRYZOVY           | RUBBER STOP          | 2  |
| 14  | EA082      |    | CLONA ZADNI             | REAR APERTURE        | 1  |
| 15  | EA074      |    | OPERKA                  | ARMREST              | 1  |
| 16  | EA959      | -a | LISTA                   | BAR                  | 1  |
| 17  | E2088      |    | VYZTUHA ZASOBNIKU ZADNI | END STIFFENER STACK  | 1  |
| 18  | E9322      |    | VYZTUHA DNA             | END STIFFENER BOTTOM | 1  |
| 19  | E2434      |    | VYZTUHA L               | END STIFFENER L      | 1  |
| 20  | E2435      |    | VYZTUHA P               | END STIFFENER R      | 1  |
| 21  | E2089      |    | UCHYT ZASOBNIKU L       | HOLDER COLLECTOR L   | 1  |
| 22  | E2090      |    | UCHYT ZASOBNIKU P       | HOLDER COLLECTOR R   | 1  |
| 23  | EA075      | -a | DRZAK PLACHETKY         | SAIL HOLDER          | 2  |
| 24  | EA083      |    | PLACHTA                 | COLLECTOR COVER      | 1  |
| 25  | Y3119      |    | LEMOVKA KRYTU L=990     | HEM                  | 1  |
| 26  | 071205     |    | PODLOZKA 5,3            | WASHER 5,3           | 33 |
| 27  | 070511     |    | PODLOZKA 13             | WASHER 13            | 4  |
| 28  | 070980     |    | PODLOZKA 4,3            | WASHER 4,3           | 4  |
| 29  | 041040     |    | PODLOZKA M8             | WASHER M8            | 34 |
| 30  | 024931     |    | PODLOZKA M10            | WASHER M10           | 15 |
| 31  | 041783     |    | PODLOZKA M6             | WASHER M6            | 7  |
| 32  | 340411     |    | NYT TRHACI 5X12 Al/St   | TEAR RIVET 5x12      | 33 |
| 33  | 201009     |    | NYT TRHACI 4X12 Al/St   | TEAR RIVET 4x12      | 4  |
| 34  | 072641     |    | ZAVLACKA 3,2X20         | COTTER PIN 3,2X20    | 4  |
| 35  | 067305     |    | SROUB M8X25             | BOLT M8X25           | 6  |
| 36  | 067333     |    | SROUB M10X20            | BOLT M10x20          | 11 |
| 37  | 067284     |    | SROUB M8x16             | BOLT M8X16           | 1  |
| 38  | 509933     |    | SROUB M6X16             | BOLT M6X16           | 7  |
| 39  | 067291     |    | SROUB M8X20             | BOLT M8X20           | 8  |
| 40  | 070084     |    | MATICE M8               | NUT M8               | 11 |
| 41  | 069442     |    | MATICE M8               | NUT M8               | 8  |
| 42  | 590025     |    | MATICE M6               | NUT M6               | 7  |
| 43  | 070091     |    | MATICE M10              | NUT M10              | 4  |
| 44  | 360411     |    | KRYTKA MATIC M6         | NUT CAP M6           | 5  |

Y0112

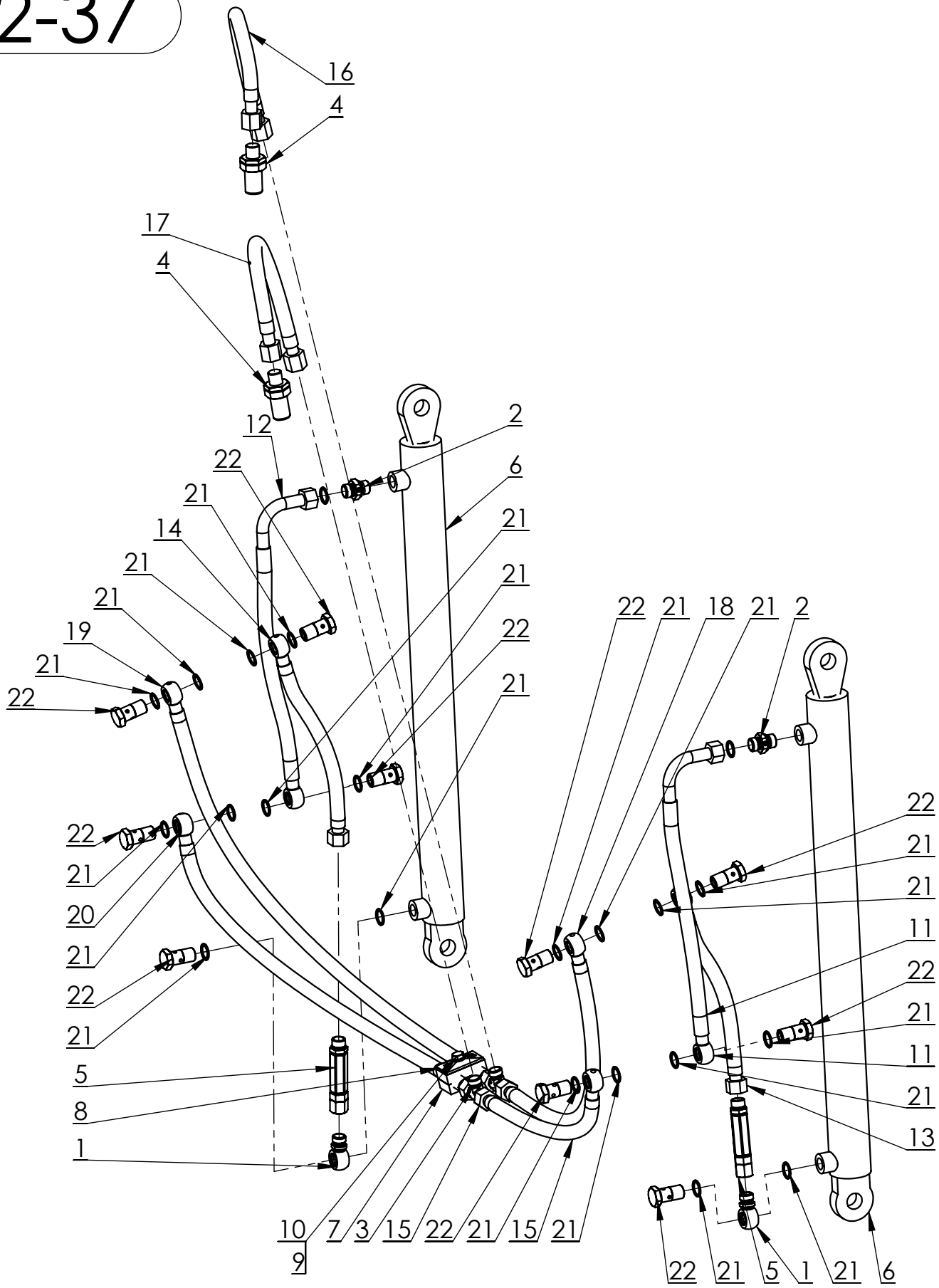
EA083 PLACHTA  
COLLECTOR COVER

2-1-24



| Po. | Ob.č./No.O | In | Název                    | Description           | ks |
|-----|------------|----|--------------------------|-----------------------|----|
| 1   | E2496      |    | PLACHTA ZASOBNIKU        | COLLECTOR COVER       | 1  |
| 2   | EA081      |    | NAPINAK                  | STRETCHER             | 2  |
| 3   | E2498      |    | TRUBKA ZADNI             | REAR PIPE             | 1  |
| 4   | E2497      |    | TYC PREDNI               | FRONT ROD             | 1  |
| 5   | EA077      | -a | TAHLO                    | DRAW ROD              | 2  |
| 6   | Y1117      |    | KROUZEK PRYZ 9,5x16 L=16 | RUBBER RING           | 4  |
| 7   | D3178      |    | PRUZINA PLACHTY          | TARP SPRING           | 2  |
| 8   | 041783     |    | PODLOZKA M6              | WASHER M6             | 4  |
| 9   | 170307     |    | NYT TRHACI 6X12 St/St    | TEAR RIVET 6X12 St/St | 2  |

2-37



Y0112

**E2397 HYDRAULIKA  
HIGH LIFT HYDRAULICS**

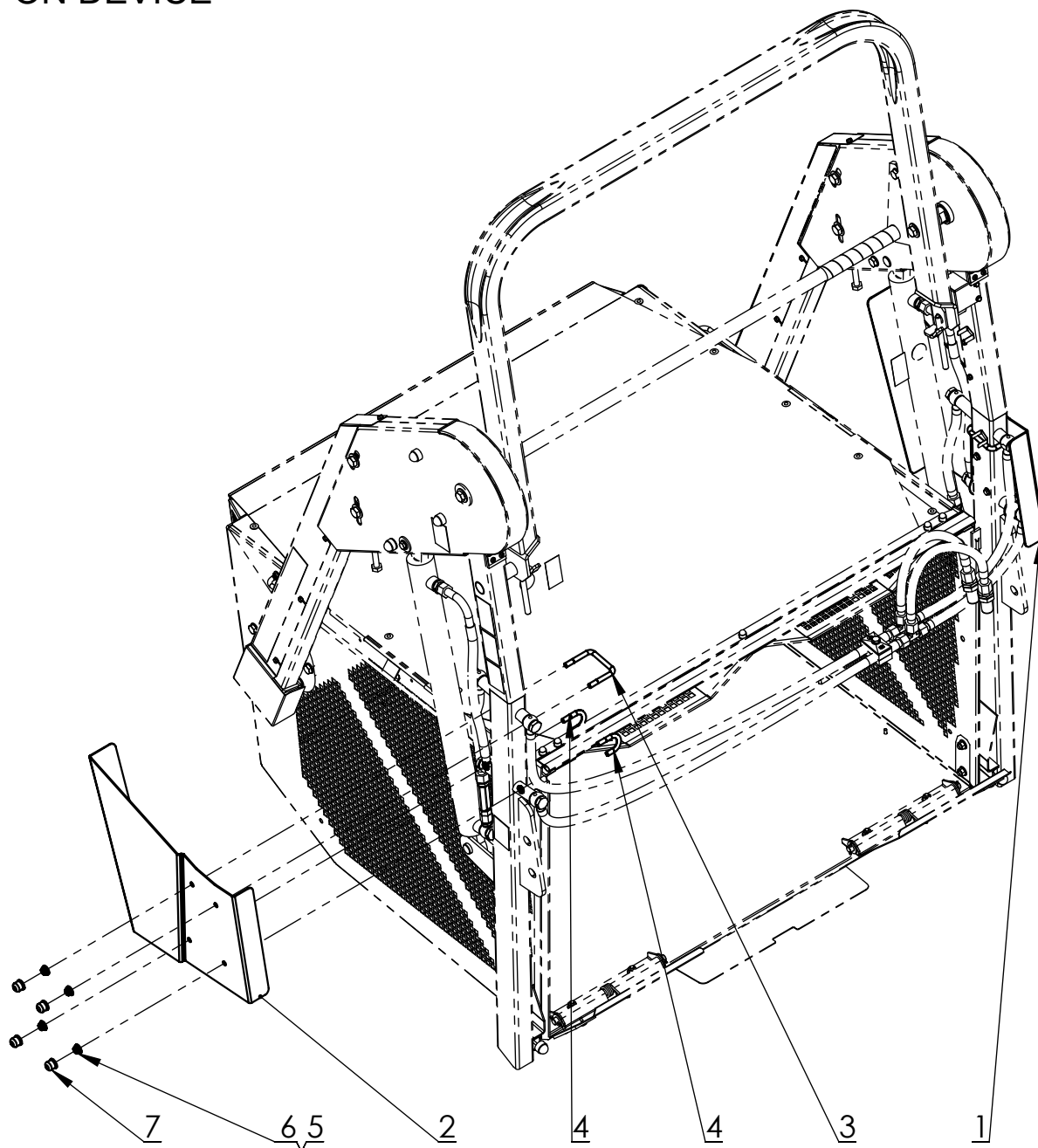

| Po. | Ob.č./No.O | In | Název               | Description                    | ks |
|-----|------------|----|---------------------|--------------------------------|----|
| 1   | 300411     |    | OKO                 | HYDRAULIC EYE FITTING          | 2  |
| 2   | 041577     |    | HRDLO               | NECK                           | 2  |
| 3   | 546820     |    | SPOJKA              | CONNECTOR                      | 2  |
| 4   | 455100     |    | RYCHLOSPOJKA        | QUICK COUPLER                  | 2  |
| 5   | E2363      |    | PADOVY VENTIL       | VALVE                          | 2  |
| 6   | 170411     |    | PISTNICE V. ZVEDANI | HYDRAULIC CYLINDER - HIGH LIFT | 2  |
| 7   | 382956     |    | DVOJITA PRICHYTKA   | DOUBLE CLIP                    | 2  |
| 8   | 382957     |    | VRCHNI PRIT.DESKA   | TOP PLATE                      | 1  |
| 9   | 070322     |    | PODLOZKA 8,4        | WASHER 8,4                     | 1  |
| 10  | 066653     |    | SROUB M8X45         | BOLT M8X45                     | 1  |
| 11  | 100411     |    | HADICE              | HOSE                           | 1  |
| 12  | 100411     |    | HADICE              | HOSE                           | 1  |
| 13  | 090411     |    | HADICE              | HOSE                           | 1  |
| 14  | 090411     |    | HADICE              | HOSE                           | 1  |
| 15  | 090411     |    | HADICE              | HOSE                           | 1  |
| 16  | 150411     |    | HADICE              | HOSE                           | 1  |
| 17  | 150411     |    | HADICE              | HOSE                           | 1  |
| 18  | 130411     |    | HADICE              | HOSE                           | 1  |
| 19  | 120411     |    | HADICE              | HOSE                           | 1  |
| 20  | 110411     |    | HADICE              | HOSE                           | 1  |
| 21  | 487294     |    | TESNICI KROUZEK 16  | SEALING RING 16                | 22 |
| 22  | 000411     |    | PRUTOKOVY SROUB     | BANJO BOLT                     | 10 |

10



Y0050

Y0050 KRYT HYDRAULIKY  
HYDRAULIC COVER

**WISCONSIN  
ENGINEERING**
**PŘÍDAVNÉ ZAŘÍZENÍ  
ADD-ON DEVICE**


| Po. | Ob.č./No.O | In | Název           | Description  | ks |
|-----|------------|----|-----------------|--------------|----|
| 1   | E1313      |    | KRYT HV L       | COVER L      | 1  |
| 2   | E1314      |    | KRYT HV P       | COVER R      | 1  |
| 3   | E1311      |    | TRMEN           | GRIP         | 2  |
| 4   | E1312      |    | UPINKA          | GRIP         | 4  |
| 5   | 041040     |    | PODLOZKA M8     | WASHER M8    | 8  |
| 6   | 596142     |    | MATICE M8       | NUT M8       | 8  |
| 7   | 190511     |    | KRYTKA Matic M8 | NUT COVER M8 | 8  |
| 8   | 069442     |    | MATICE M8       | NUT M8       | 4  |

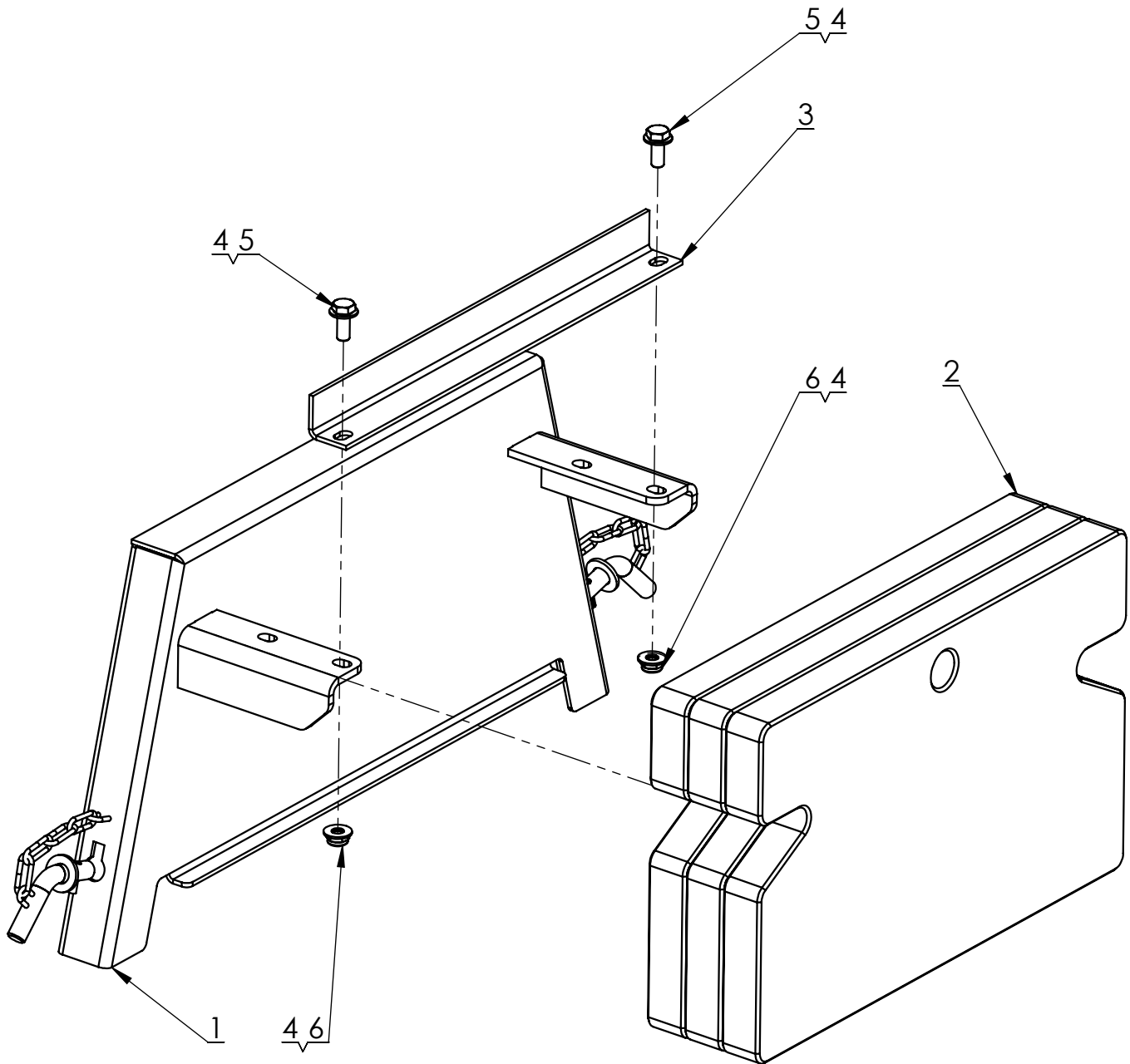
EA088

EA088 TEXTILNI CLONA ZASOBNIKU  
SIDE COVERPŘÍDAVNÉ ZAŘÍZENÍ  
ADD-ON DEVICE

| Po. | Ob.č./No.O | In | Název           | Description  | ks |
|-----|------------|----|-----------------|--------------|----|
| 1   | EA096      |    | PLACHETKA L     | SIDE COVER L | 1  |
| 2   | EA076      |    | DRŽAK PLACHETKY | SIDE ROD     | 4  |
| 3   | 069442     |    | MATICE M8       | NUT M8       | 16 |
| 4   | 041040     |    | PODLOZKA M8     | WASHER M8    | 16 |
| 5   | EA097      |    | PLACHETKA R     | SIDE COVER R | 1  |

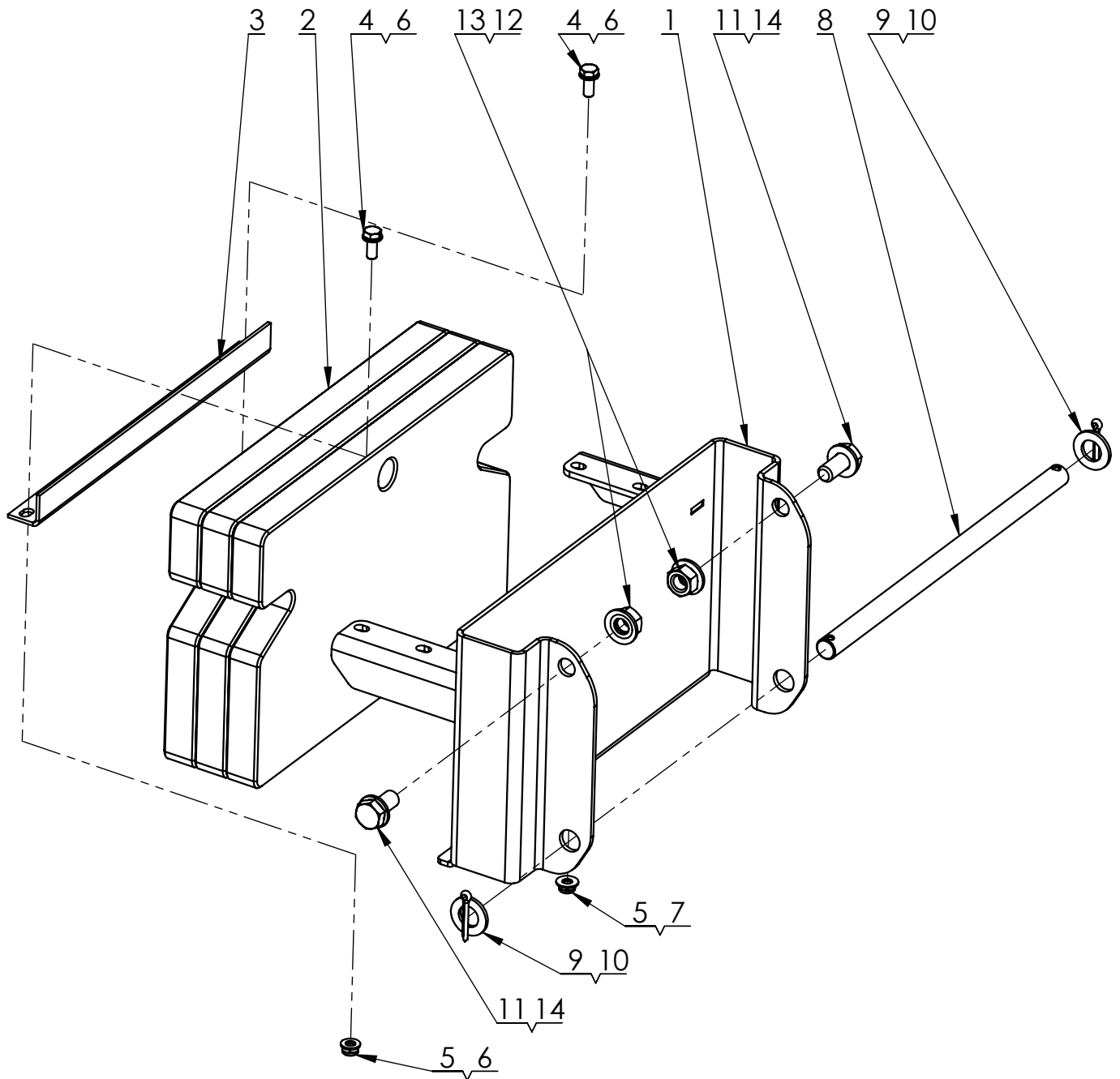
W3674

EA236 ZAVAZI PREDNI PRO W3674  
WEIGHT FRON FOR W3674

**WISCONSIN  
ENGINEERING**


| Po. | Ob.č./No.O | In | Název              | Description    | ks |
|-----|------------|----|--------------------|----------------|----|
| 1   | E1748      | -a | NOSIC ZAVAZI       | WEIGHT CARRIER | 1  |
| 2   | EA239      | -a | ZAVAZI PLECH 21 KG | WEIGHT 21 KG   | 3  |
| 3   | E1752      |    | DRZAK              | HOLDER         | 1  |
| 4   | 041040     |    | PODLOZKA M8        | WASHER M8      | 4  |
| 5   | 062421     |    | SROUB M8X20        | BOLT M8x20     | 2  |
| 6   | 596142     |    | MATICE M8          | NUT M8         | 2  |

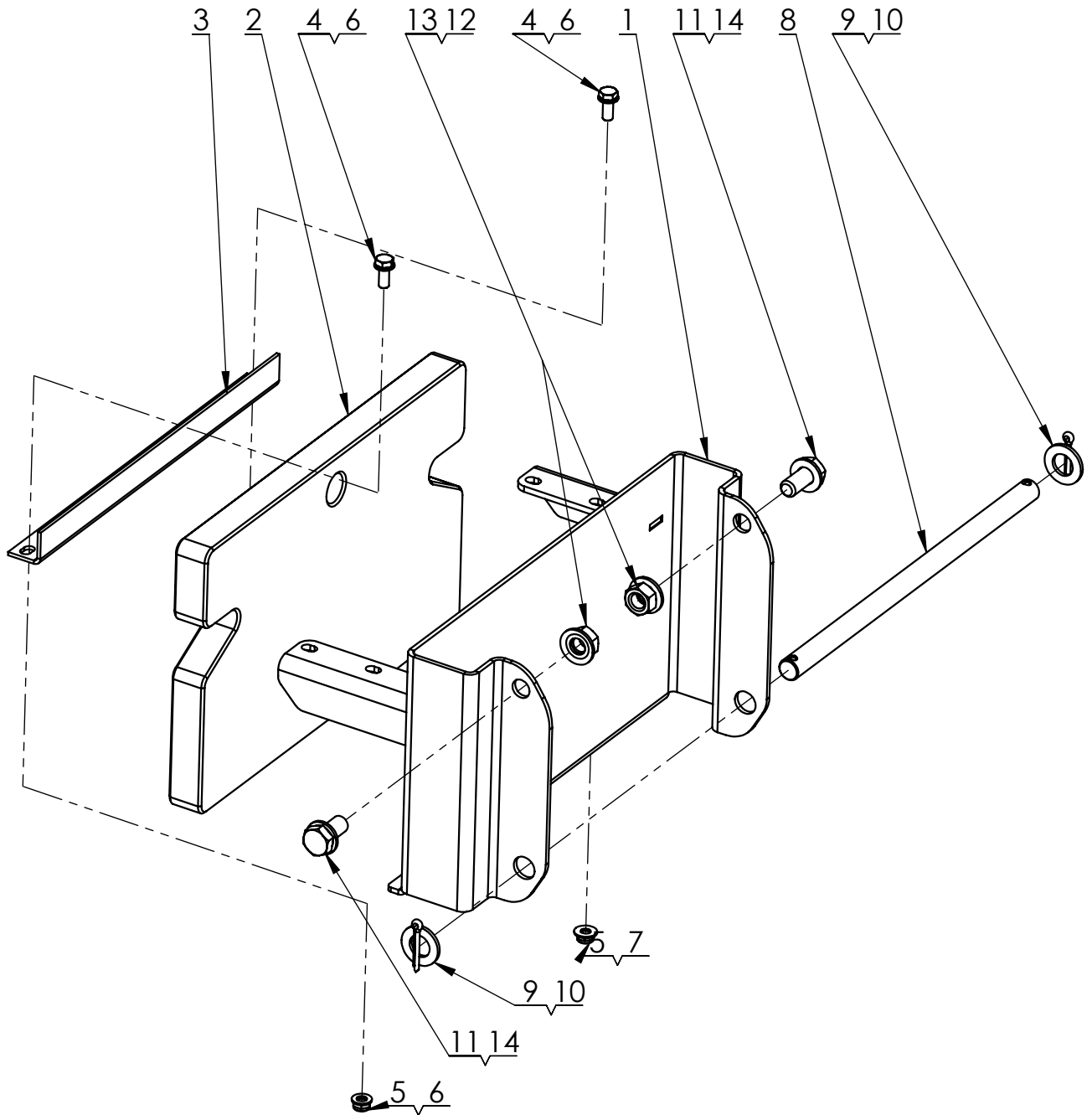
W3674

EA238 ZAVAZI NA RAM W3674  
IT WEIGHTS ON THE FRAME W3674

| Po. | Ob.č./No.O | In | Název              | Description     | ks |
|-----|------------|----|--------------------|-----------------|----|
| 1   | E1944      | -a | NOSIC ZAVAZI       | WEIGHT HOLDER   | 1  |
| 2   | EA239      | -a | ZAVAZI PLECH 21 KG | WEIGHT 21 KG    | 3  |
| 3   | E1752      |    | DRZAK              | HOLDER          | 1  |
| 4   | 067291     |    | SROUB M8X20        | BOLT M8X20      | 2  |
| 5   | 596142     |    | MATICE M8          | NUT M8          | 2  |
| 6   | 070812     |    | PODLOZKA 8,4       | WASHER 8,4      | 3  |
| 7   | 041040     |    | PODLOZKA M8        | WASHER M8       | 1  |
| 8   | E1946      |    | CEP DOLNI          | BOOTOM PIN      | 1  |
| 9   | 070546     |    | PODLOZKA 19        | WASHER 19       | 2  |
| 10  | 308425     |    | ZAVLACKA 5x32      | COTTER PIN 5x32 | 2  |
| 11  | 046976     |    | SROUB M14X30       | BOLT M14X30     | 2  |
| 12  | 280115     |    | PODLOZKA M14       | WASHER M14      | 2  |
| 13  | 458861     |    | MATICE M14         | NUT M14         | 2  |
| 14  | 070525     |    | PODLOZKA 15        | WASHER 15       | 2  |

W3651

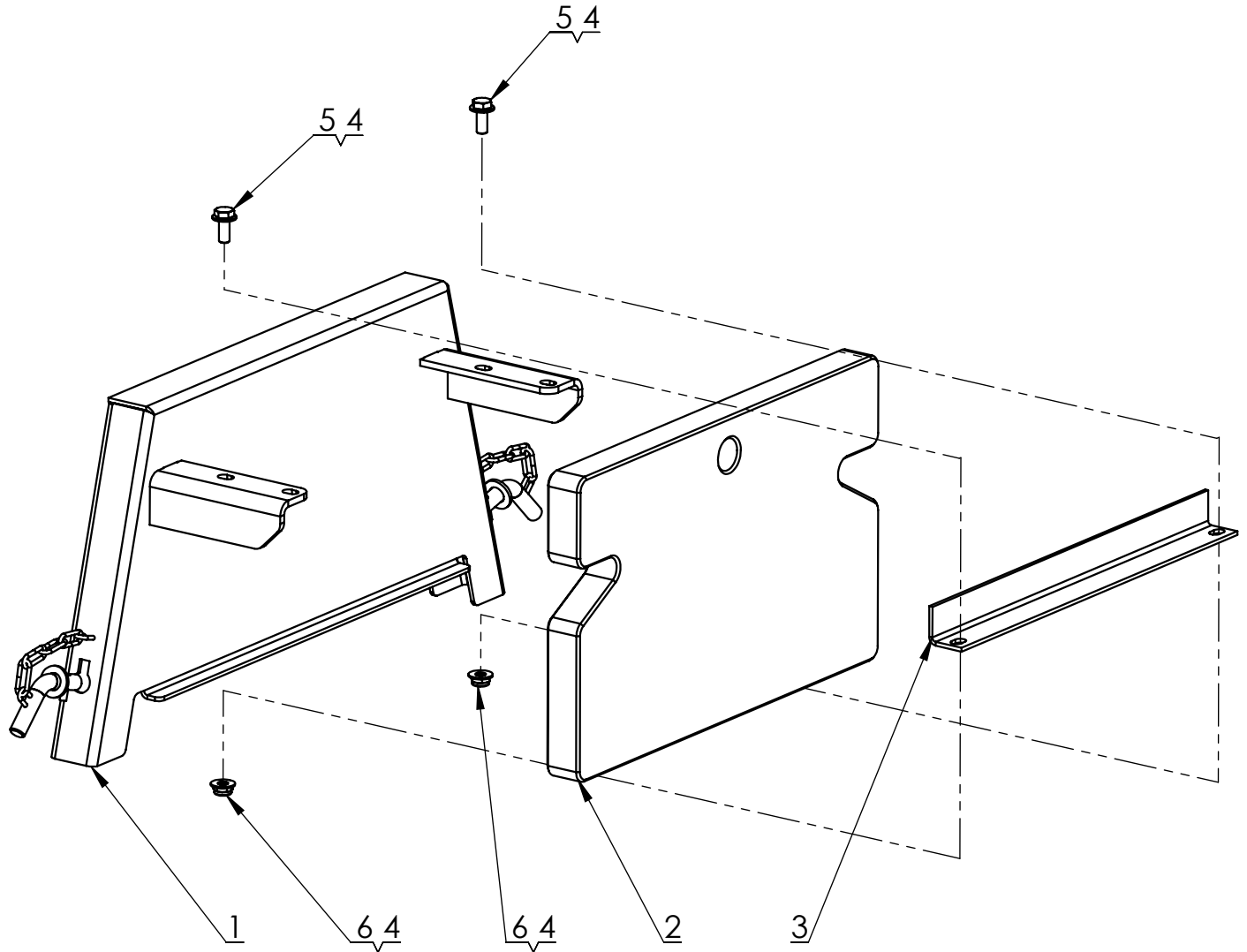
EA237 ZAVAZI NA RAM PRO W3651  
IT WEIGHTS ON THE FRAME W3651

**WISCONSIN  
ENGINEERING**


| Po. | Ob.č./No.O | In | Název              | Description     | ks |
|-----|------------|----|--------------------|-----------------|----|
| 1   | E1944      | -a | NOSIC ZAVAZI       | WEIGHT HOLDER   | 1  |
| 2   | EA239      | -a | ZAVAZI PLECH 21 KG | WEIGHT 21 KG    | 1  |
| 3   | E1752      |    | DRZAK              | HOLDER          | 1  |
| 4   | 067291     |    | SROUB M8X20        | BOLT M8X20      | 2  |
| 5   | 596142     |    | MATICE M8          | NUT M8          | 2  |
| 6   | 070812     |    | PODLOZKA 8,4       | WASHER 8,4      | 3  |
| 7   | 041040     |    | PODLOZKA M8        | WASHER M8       | 1  |
| 8   | E1946      |    | CEP DOLNI          | BOOTOM PIN      | 1  |
| 9   | 070546     |    | PODLOZKA 19        | WASHER 19       | 2  |
| 10  | 308425     |    | ZAVLACKA 5x32      | COTTER PIN 5x32 | 2  |
| 11  | 046976     |    | SROUB M14X30       | BOLT M14X30     | 2  |
| 12  | 280115     |    | PODLOZKA M14       | WASHER M14      | 2  |
| 13  | 458861     |    | MATICE M14         | NUT M14         | 2  |
| 14  | 070525     |    | PODLOZKA 15        | WASHER 15       | 2  |

W3651

EA235

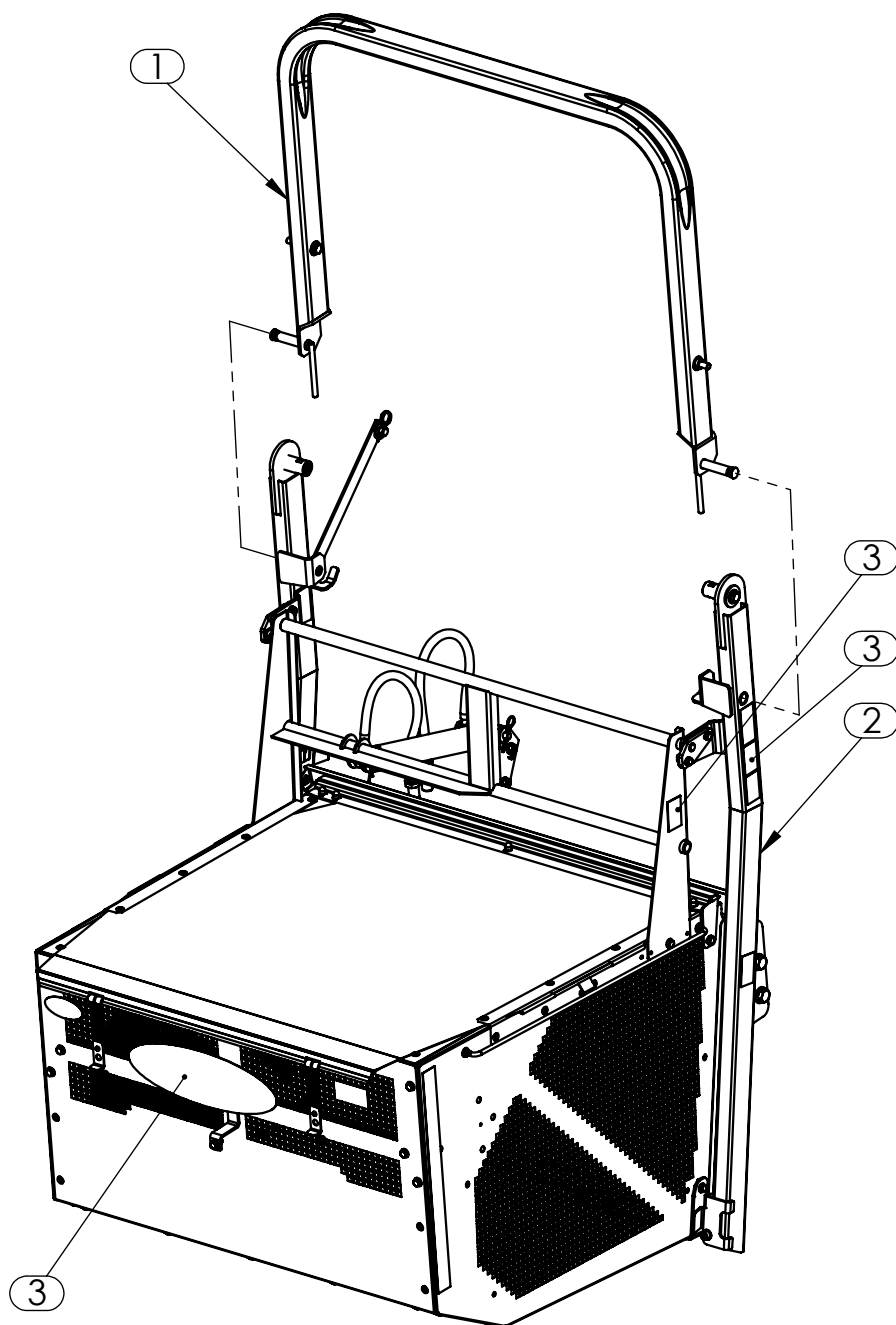
ZAVAZI PREDNI NA HYD. ZAVES PRO W3651  
WEIGHT FRON FOR W3651

| Po. | Ob.č./No.O | In | Název              | Description    | ks |
|-----|------------|----|--------------------|----------------|----|
| 1   | E1748      | -a | NOSIC ZAVAZI       | WEIGHT CARRIER | 1  |
| 2   | EA239      | -a | ZAVAZI PLECH 21 KG | WEIGHT 21 KG   | 1  |
| 3   | E1752      |    | DRZAK              | HOLDER         | 1  |
| 4   | 041040     |    | PODLOZKA M8        | WASHER M8      | 4  |
| 5   | 067291     |    | SROUB M8X20        | BOLT M8X20     | 2  |
| 6   | 596142     |    | MATICE M8          | NUT M8         | 2  |

W3674  
W3651

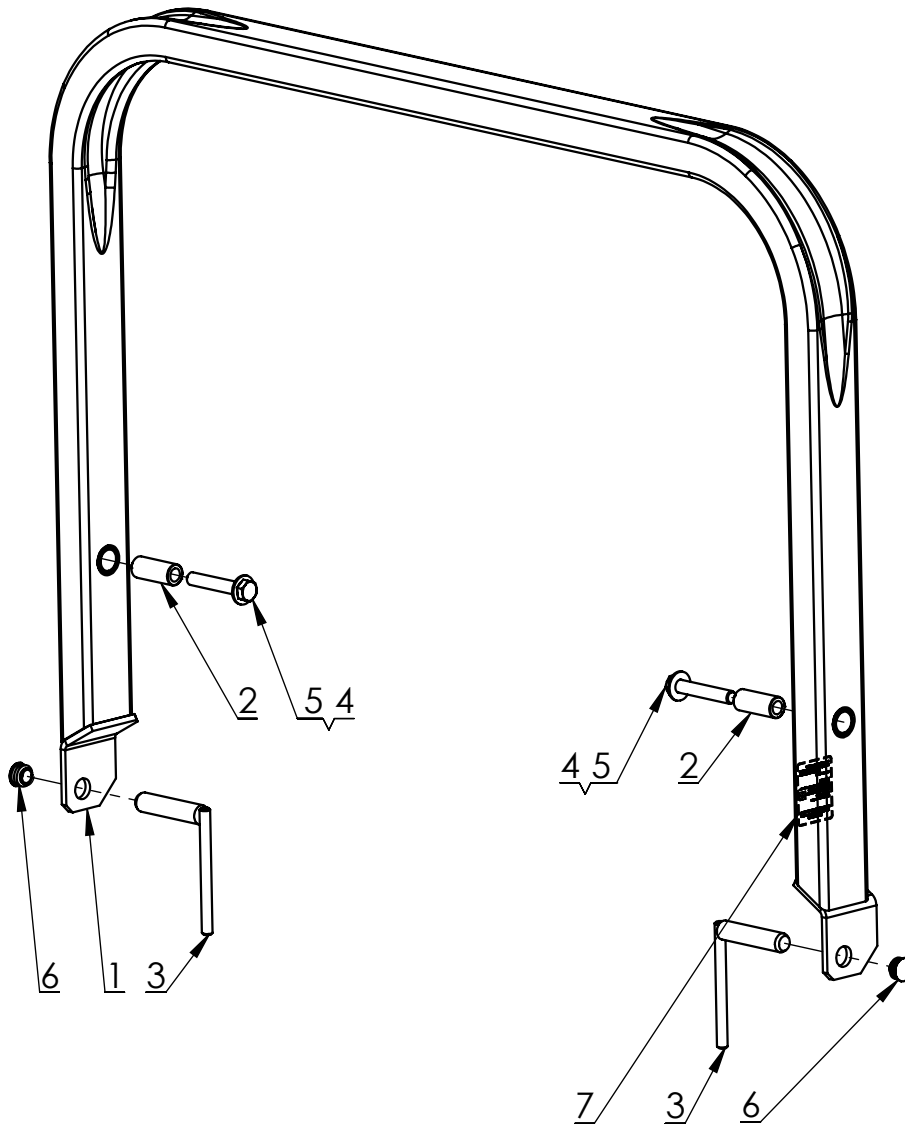
Y0111-Y0113 ZASOBNIK STANDART S OBLOUKEM  
STANDARD COLLECTOR WITH ROPS

 **WISCONSIN  
ENGINEERING**



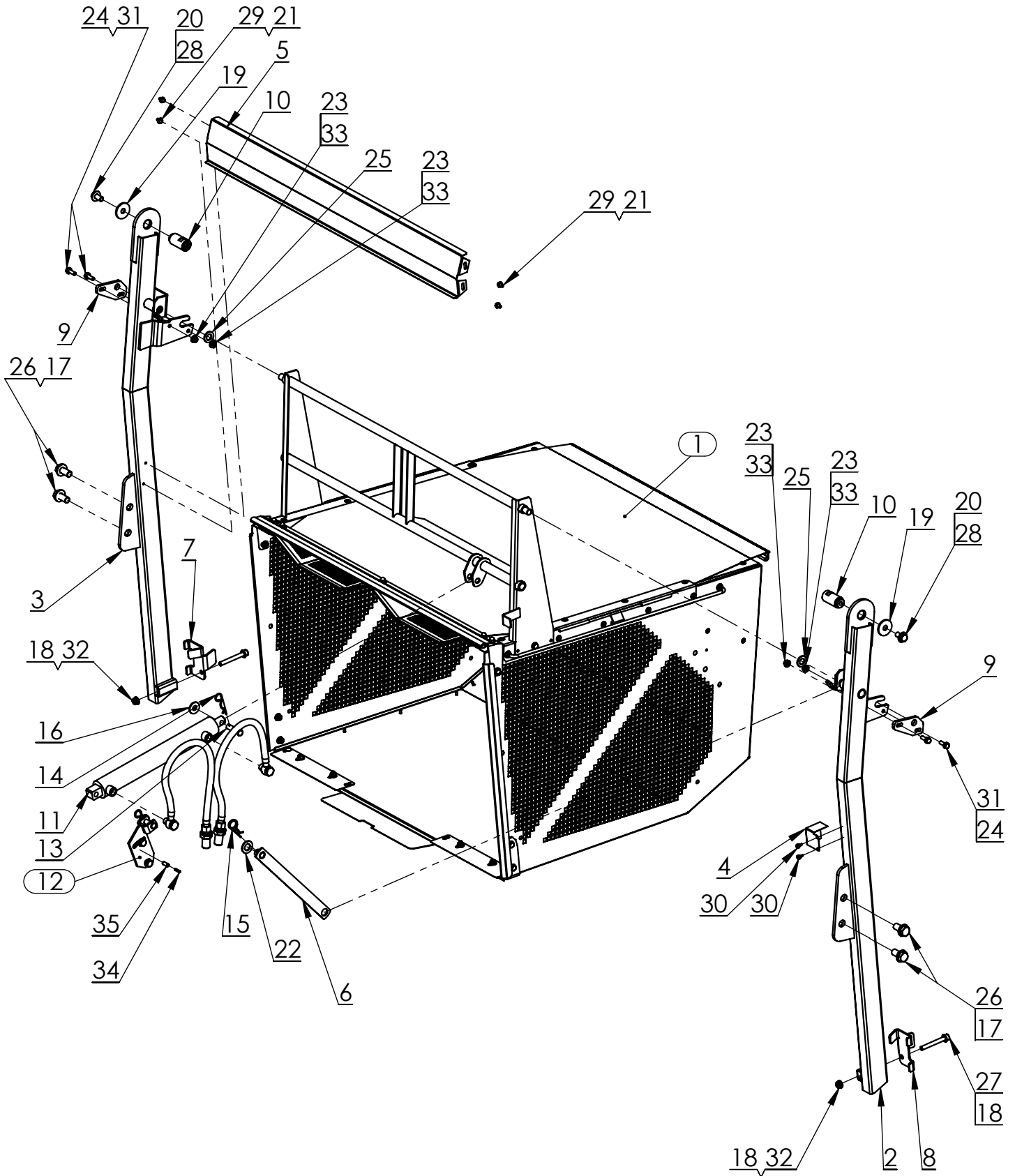
| Po. | Ob.č./No.O | In | Název                 | Description            | ks |
|-----|------------|----|-----------------------|------------------------|----|
| 1   | E2491      |    | OBLOUK OCHRANNY       | ROPS                   | 1  |
| 2   | E2400      |    | ZASOBNIK STANDART W36 | STANDARD COLLECTOR W36 | 1  |
| 3   | EB167      |    | NÁLEPKY               | DECALS                 | 1  |

1



| Po. | Ob.č./No.O | In | Název                    | Description | ks |
|-----|------------|----|--------------------------|-------------|----|
| 1   | E2004      |    | OBLOUK OCHRANY           | ROPS        | 1  |
| 2   | E2009      |    | ROZPERKA                 | SPACER      | 2  |
| 3   | E2199      | -a | CEP                      | PIN         | 2  |
| 4   | 027776     |    | PODLOZKA M12             | WASHER M12  | 2  |
| 5   | 412102     |    | SROUB M12X70             | NUT M12x70  | 2  |
| 6   | 280211A    |    | ZATKA 22X0,8-2,2         | STOPPER     | 2  |
| 7   | E2284-CZ   |    | STITEK - OCHRANNY OBLOUK | DECALS      | 1  |

2

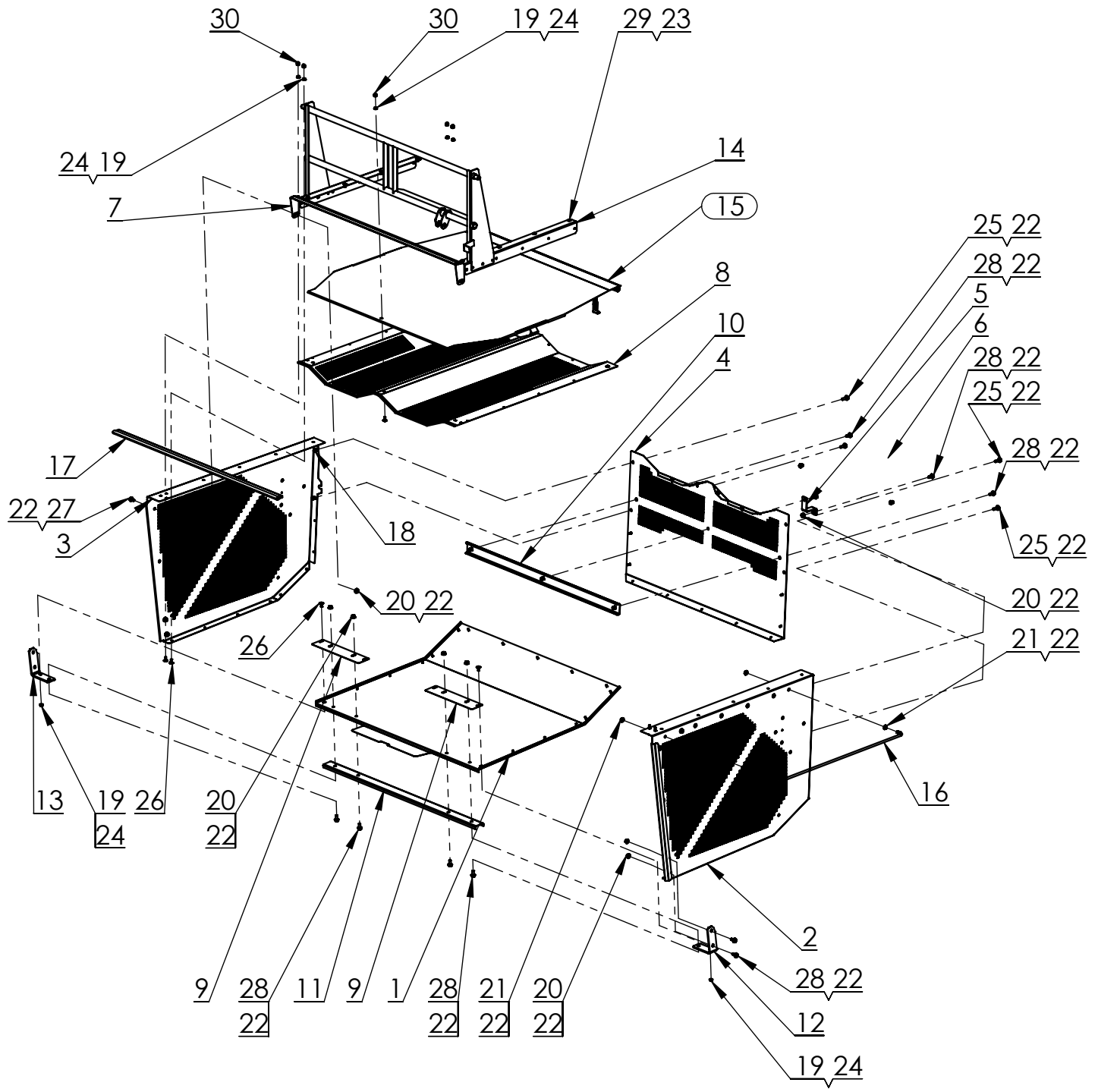


Y0111

**E2400 ZASOBNIK STANDARD W36  
STANDARD COLLECTOR W36**


| Po. | Ob.č./No.O | In | Název                        | Description                           | ks |
|-----|------------|----|------------------------------|---------------------------------------|----|
| 1   | E2401      |    | ZASOBNIK STANDARD            | COLLECTOR STANDARD                    | 1  |
| 2   | E2408      | -a | RAM L                        | FRAME L                               | 1  |
| 3   | E2409      | -a | RAM P                        | FRAME R                               | 1  |
| 4   | E1428      | -a | KRYT SPINACE                 | SWITCH COVER                          | 1  |
| 5   | EA046      |    | VYPLN                        | FILLING                               | 1  |
| 6   | EA091      | -a | PODPERA OBLOUKU              | ROPS SUPPORT                          | 1  |
| 7   | EA160      |    | NABEH P                      | GUIDANCE R                            | 1  |
| 8   | EA162      |    | NABEH L                      | GUIDANCE L                            | 1  |
| 9   | E2444      |    | PATKA                        | SADDLE                                | 2  |
| 10  | EA353      | -a | CEP                          | PIN                                   | 2  |
| 11  | 090112     |    | PISTNICE N. ZVEDANI          | HYDRAULIC CYLINDER - STANDART LIFT    | 1  |
| 12  | E9659      |    | HYDRAULIKA ZVEDANI ZASOBNIKU | LIFTING HYDRAULICS STANDART COLLECTOR | 1  |
| 13  | E7263      |    | CEP                          | SHAFT                                 | 1  |
| 14  | 081614     |    | ZAVLACKA PRUZNA              | SPRING COTTER PIN                     | 1  |
| 15  | 114635     |    | ZAVLACKA PRUZNA              | SPRING COTTER PIN                     | 1  |
| 16  | E9548      |    | PODLOZKA                     | WASHER                                | 1  |
| 17  | 041687     |    | PODLOZKA M16                 | WASHER M16                            | 4  |
| 18  | 024931     |    | PODLOZKA M10                 | WASHER M10                            | 4  |
| 19  | 190411     |    | PODLOZKA 13,5                | WASHER 13,5                           | 2  |
| 20  | 027776     |    | PODLOZKA M12                 | WASHER M12                            | 2  |
| 21  | 041783     |    | PODLOZKA M6                  | WASHER M6                             | 4  |
| 22  | 070546     |    | PODLOZKA 19                  | WASHER 19                             | 1  |
| 23  | 041040     |    | PODLOZKA M8                  | WASHER M8                             | 4  |
| 24  | 070812     |    | PODLOZKA 8,4                 | WASHER 8,4                            | 4  |
| 25  | 070532     |    | PODLOZKA 17                  | WASHER 17                             | 2  |
| 26  | 131106     |    | SROUB M16X35                 | BOLT M16x35                           | 4  |
| 27  | 551015     |    | SROUB M10x80                 | BOLT M10x80                           | 2  |
| 28  | 277156     |    | SROUB M12X25                 | BOLT M12x25                           | 2  |
| 29  | 094553     |    | SROUB M6X12                  | BOLT M6X12                            | 4  |
| 30  | 454951     |    | SROUB 4,8X13                 | BOLT 4,8x13                           | 2  |
| 31  | 067305     |    | SROUB M8X25                  | BOLT M8X25                            | 4  |
| 32  | 596163     |    | MATICE M10                   | NUT M10                               | 2  |
| 33  | 070084     |    | MATICE M8                    | NUT M8                                | 4  |
| 34  | 646324     |    | KOLIK 5x20                   | PIN 5x20                              | 1  |
| 35  | 170627     |    | KOLIK 8X20                   | PIN 8X20                              | 1  |

2-1

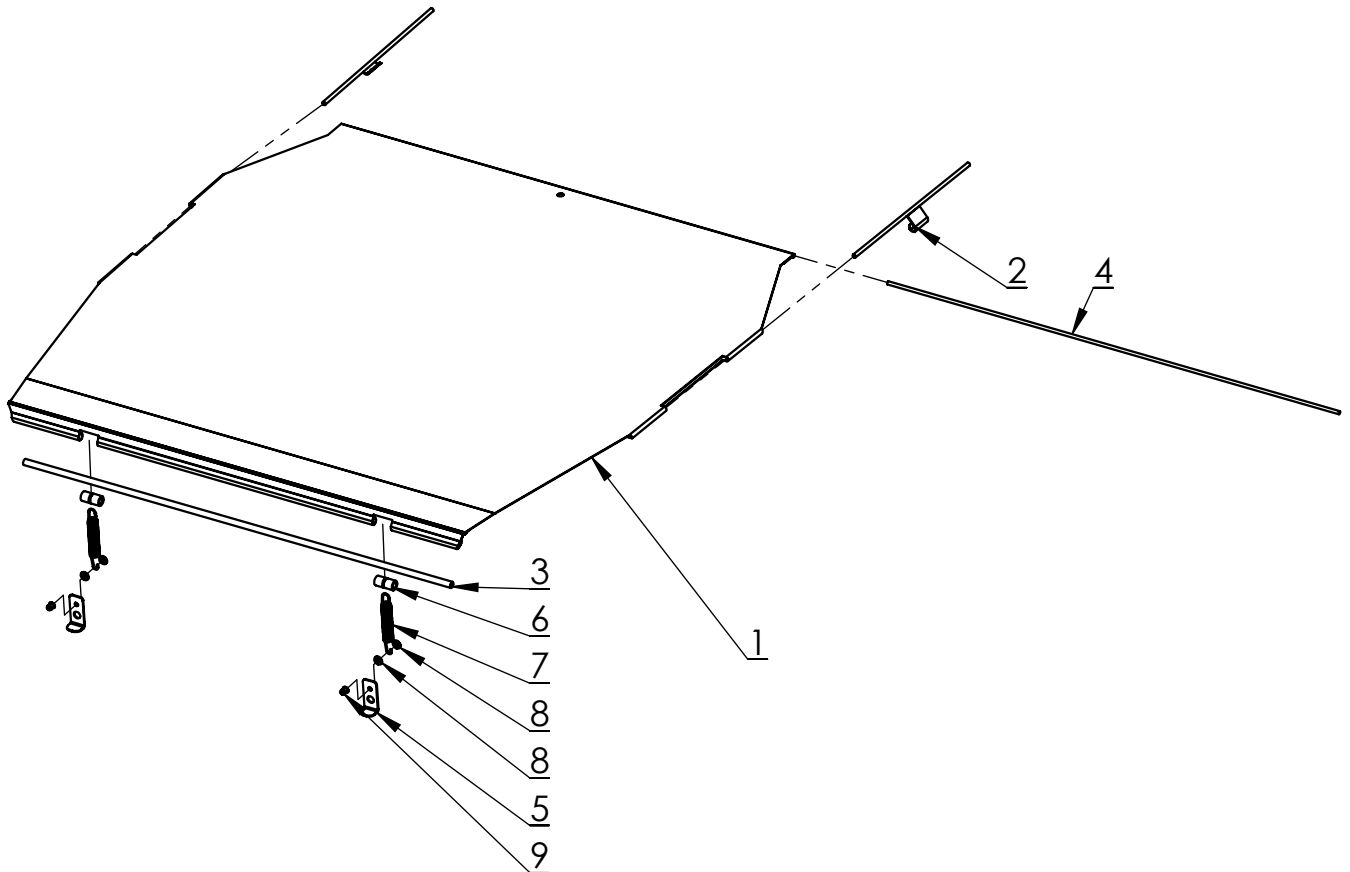


Y0111

**E2401 ZASOBNIK STANDARD  
COLLECTOR STANDARD**

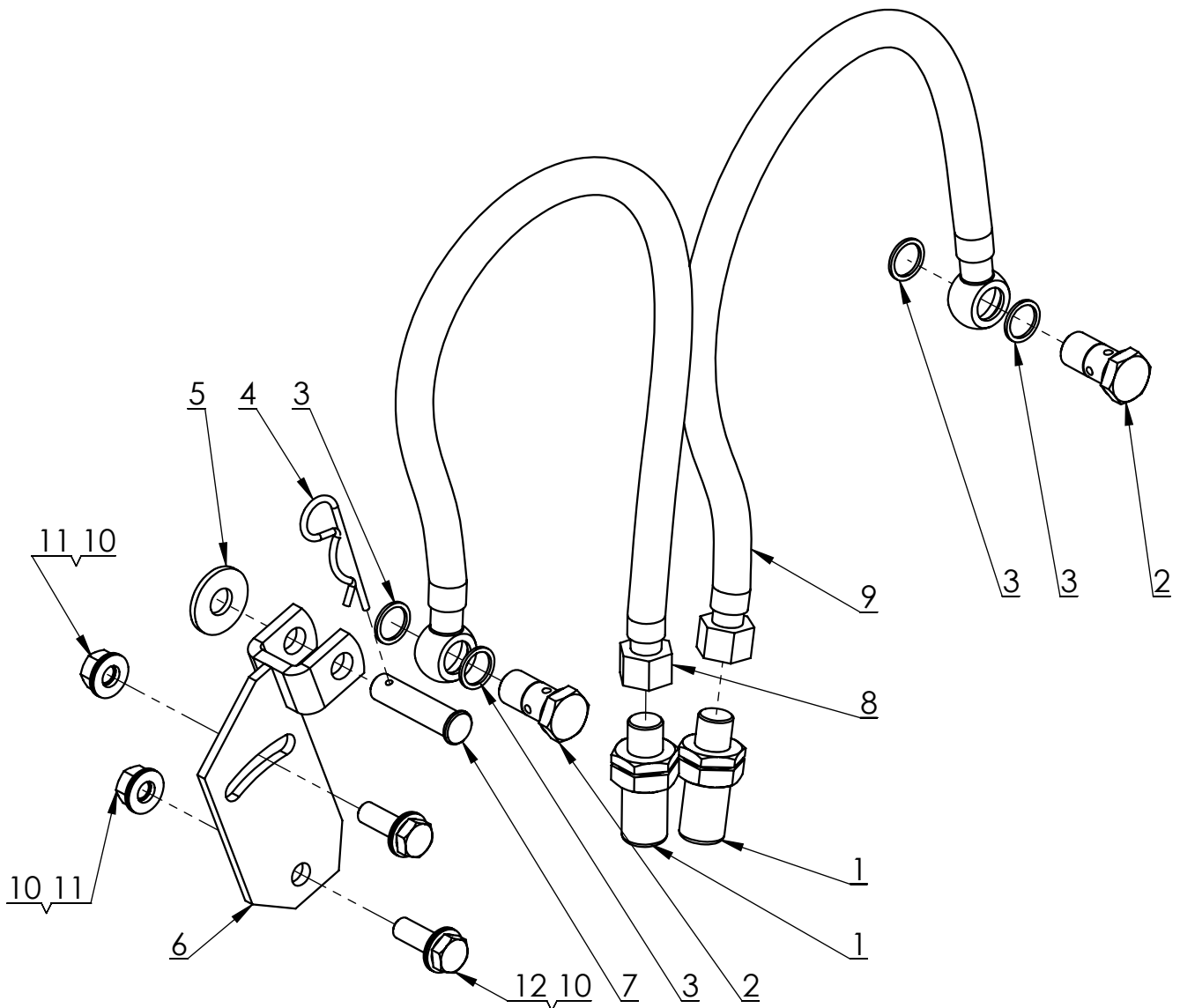

| Po. | Ob.č./No.O | In | Název                 | Description          | ks |
|-----|------------|----|-----------------------|----------------------|----|
| 1   | E2436      |    | DNO ZASOBNIKU         | BOTTOM               | 1  |
| 2   | E2437-a    | -a | BOCNICE L             | SIDE PLATE L         | 1  |
| 3   | E2438      | -a | BOCNICE R             | SIDE PLATE R         | 1  |
| 4   | E2439      |    | VYPLN ZADNI           | BACK OF FILLER       | 1  |
| 5   | EA074      |    | OPERKA                | ARMREST              | 1  |
| 6   | EA082      |    | CLONA ZADNI           | REAR APERTURE        | 1  |
| 7   | EA959      | -a | LISTA                 | BAR                  | 1  |
| 8   | E2440      |    | SITO                  | SIEVE                | 1  |
| 9   | EA323      |    | VYPLN                 | FILLER               | 2  |
| 10  | EA086      | -a | VYZTUHA ZADNI         | REAR STIFFNER        | 1  |
| 11  | E9322      |    | VYZTUHA DNA           | END STIFFENER BOTTOM | 1  |
| 12  | E2434      |    | VYZTUHA L             | END STIFFENER L      | 1  |
| 13  | E2435      |    | VYZTUHA P             | END STIFFENER R      | 1  |
| 14  | E2421      |    | KONZOLA               | CONSOLE              | 1  |
| 15  | EA083      |    | PLACHTA               | COLLECTOR COVER      | 1  |
| 16  | EA075      | -a | DRZAK PLACHETKY       | SAIL HOLDER          | 2  |
| 17  | Y3119      |    | LEMOVKA KRYTU L=990   | HEM                  | 1  |
| 18  | 021212     |    | NYTOVACI MATICE M8    | RIVET NUT M8         | 4  |
| 19  | 590025     |    | MATICE M6             | NUT M6               | 7  |
| 20  | 070084     |    | MATICE M8             | NUT M8               | 13 |
| 21  | 069442     |    | MATICE M8             | NUT M8               | 8  |
| 22  | 041040     |    | PODLOZKA M8           | WASHER M8            | 41 |
| 23  | 071205     |    | PODLOZKA 5,3          | WASHER 5,3           | 40 |
| 24  | 041783     |    | PODLOZKA M6           | WASHER M6            | 7  |
| 25  | 067305     |    | SROUB M8X25           | BOLT M8X25           | 4  |
| 26  | 509933     |    | SROUB M6X16           | BOLT M6X16           | 7  |
| 27  | 067284     |    | SROUB M8x16           | BOLT M8X16           | 2  |
| 28  | 067291     |    | SROUB M8X20           | BOLT M8X20           | 14 |
| 29  | 340411     |    | NYT TRHACI 5X12 Al/St | TEAR RIVET 5x12      | 40 |
| 30  | 360411     |    | KRYTKA MATIC M6       | NUT CAP M6           | 5  |

2-1-15



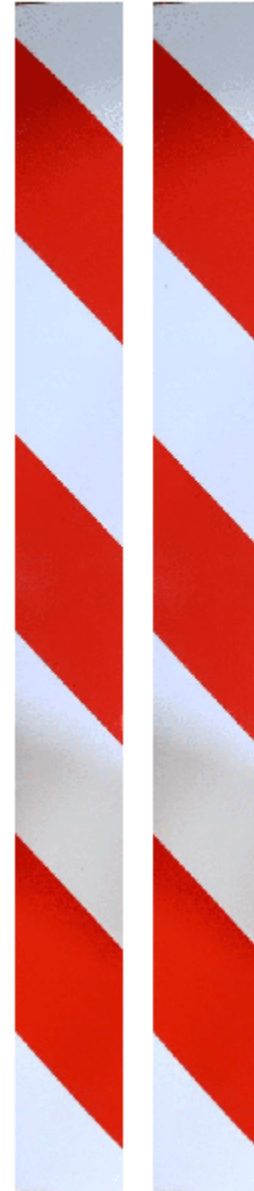
| Po. | Ob.č./No.O | In | Název                    | Description           | ks |
|-----|------------|----|--------------------------|-----------------------|----|
| 1   | E2496      |    | PLACHTA ZASOBNIKU        | COLLECTOR COVER       | 1  |
| 2   | EA081      |    | NAPINAK                  | STRETCHER             | 2  |
| 3   | E2498      |    | TRUBKA ZADNI             | REAR PIPE             | 1  |
| 4   | E2497      |    | TYC PREDNI               | FRONT ROD             | 1  |
| 5   | EA077      | -a | TAHLO                    | DRAW ROD              | 2  |
| 6   | Y1117      |    | KROUZEK PRYZ 9,5x16 L=16 | RUBBER RING           | 4  |
| 7   | D3178      |    | PRUZINA PLACHTY          | TARP SPRING           | 2  |
| 8   | 041783     |    | PODLOZKA M6              | WASHER M6             | 4  |
| 9   | 170307     |    | NYT TRHACI 6X12 St/St    | TEAR RIVET 6X12 St/St | 2  |

2-12

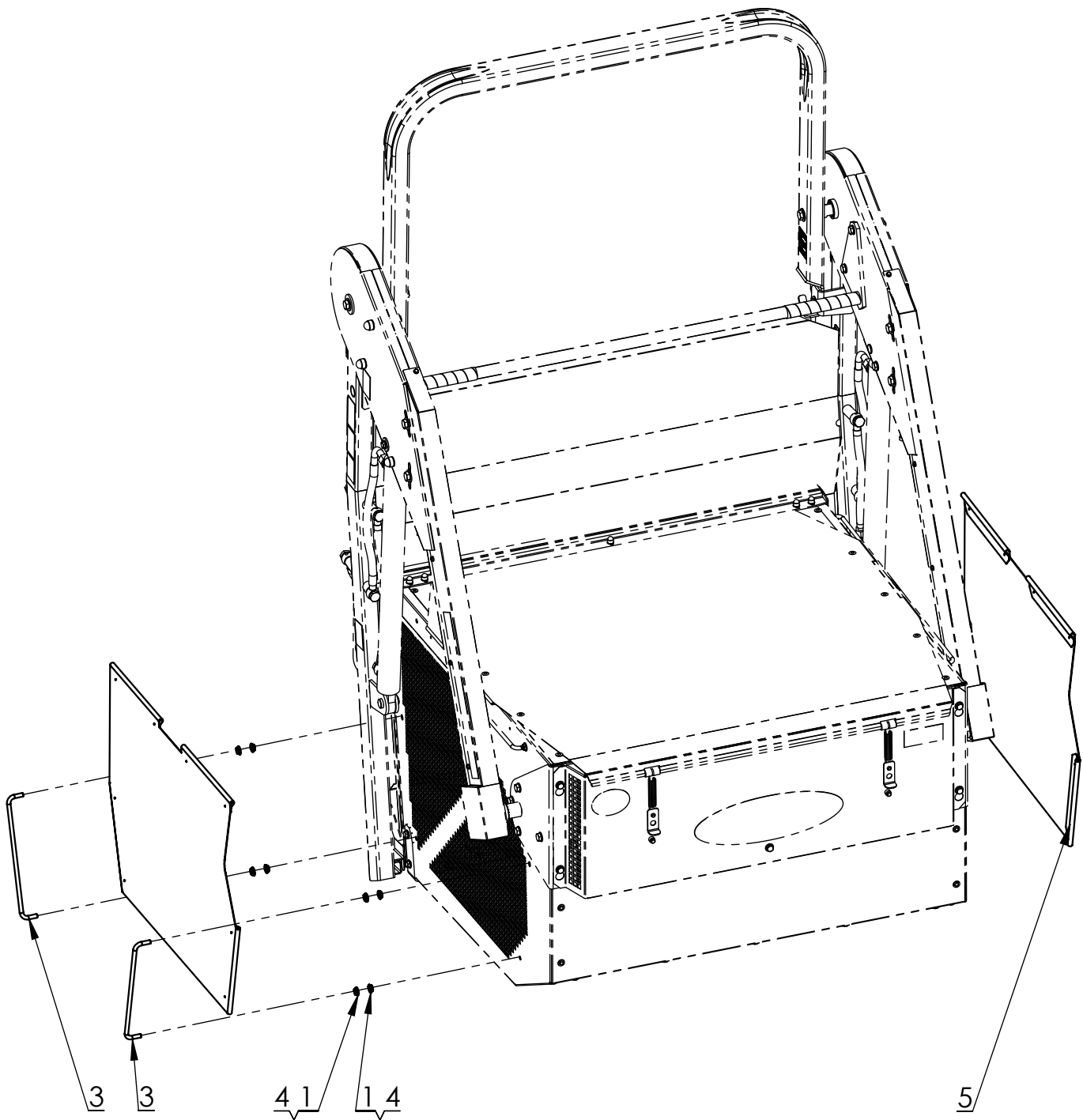


| Po. | Ob.č./No.O | In | Název                 | Description            | ks |
|-----|------------|----|-----------------------|------------------------|----|
| 1   | 455100     |    | RYCHLOSPOJKA          | QUICK COUPLER          | 2  |
| 2   | 000411     |    | PRUTOKOVY SROUB       | BANJO BOLT             | 2  |
| 3   | 487294     |    | TESNICI KROUZEK 16    | SEALING RING 16        | 4  |
| 4   | 081614     |    | ZAVLACKA PRUZNA       | SPRING COTTER PIN      | 1  |
| 5   | E9548      |    | PODLOZKA              | WASHER                 | 1  |
| 6   | E9545      |    | DRZAK HYDROMOTORU     | HOLDER HYDRAULIC MOTOR | 1  |
| 7   | E7263      |    | CEP                   | SHAFT                  | 1  |
| 8   | 130312     |    | HADICE                | HOSE                   | 1  |
| 9   | 120312     |    | HADICE                | HOSE                   | 1  |
| 10  | 290507     |    | PODLOZKA 10 NORD-LOCK | WASHER 10 NORD-LOCK    | 4  |
| 11  | 161212     |    | MATICE M10X1          | NUT M10x1              | 2  |
| 12  | 151212     |    | SROUB M10X1X30        | BOLT M10x1x30          | 2  |

3



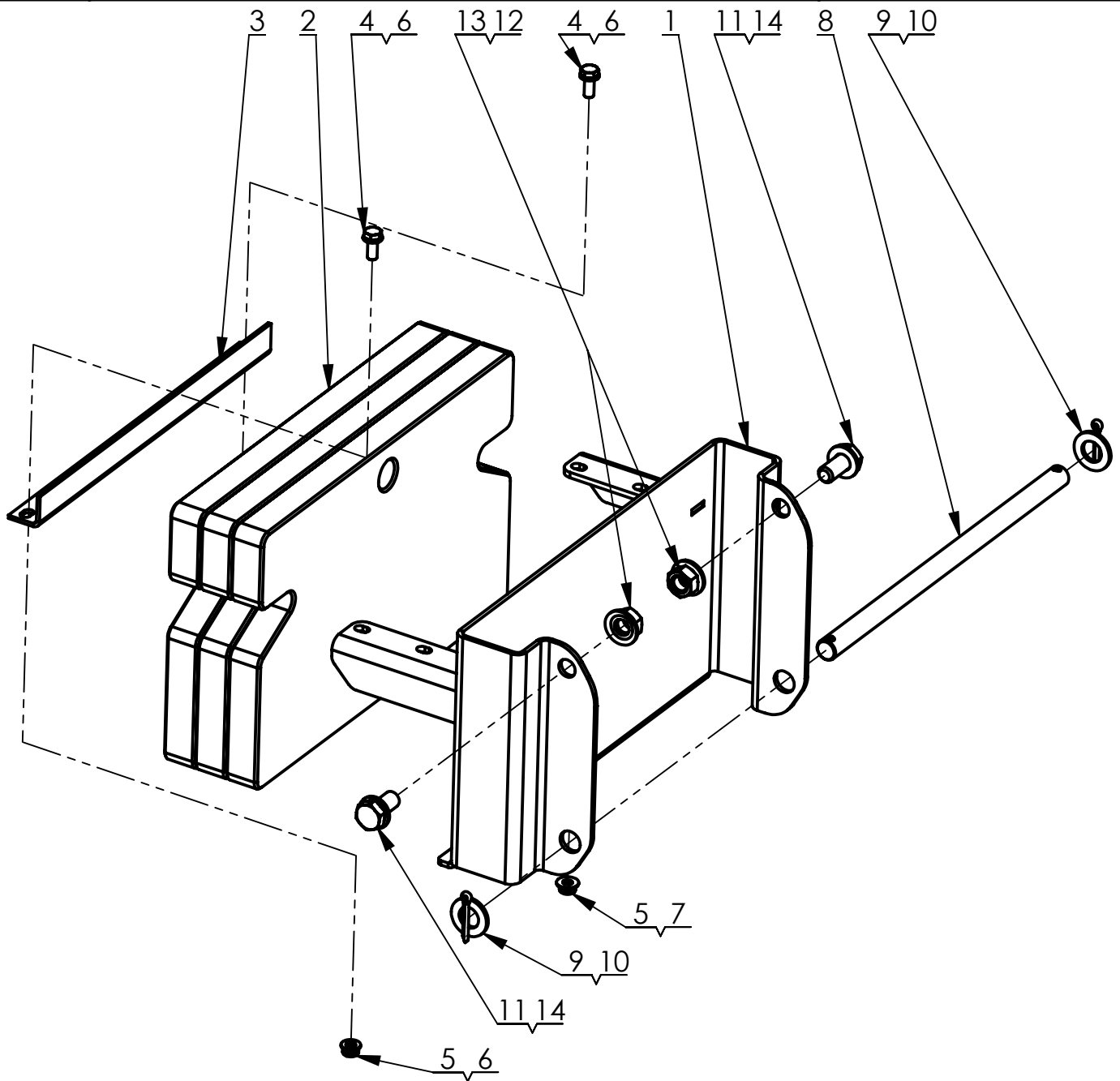
EA088

EA088 TEXTILNI CLONA ZASOBNIKU  
SIDE COVERPŘÍDAVNÉ ZAŘÍZENÍ  
ADD-ON DEVICE

| Po. | Ob.č./No.O | In | Název           | Description  | ks |
|-----|------------|----|-----------------|--------------|----|
| 1   | 041040     |    | PODLOZKA M8     | WASHER M8    | 16 |
| 2   | EA096      |    | PLACHETKA L     | SIDE COVER L | 1  |
| 3   | EA076      |    | DRZAK PLACHETKY | SIDE ROD     | 4  |
| 4   | 069442     |    | MATICE M8       | NUT M8       | 16 |
| 5   | EA097      |    | PLACHETKA R     | SIDE COVER R | 1  |

W3674

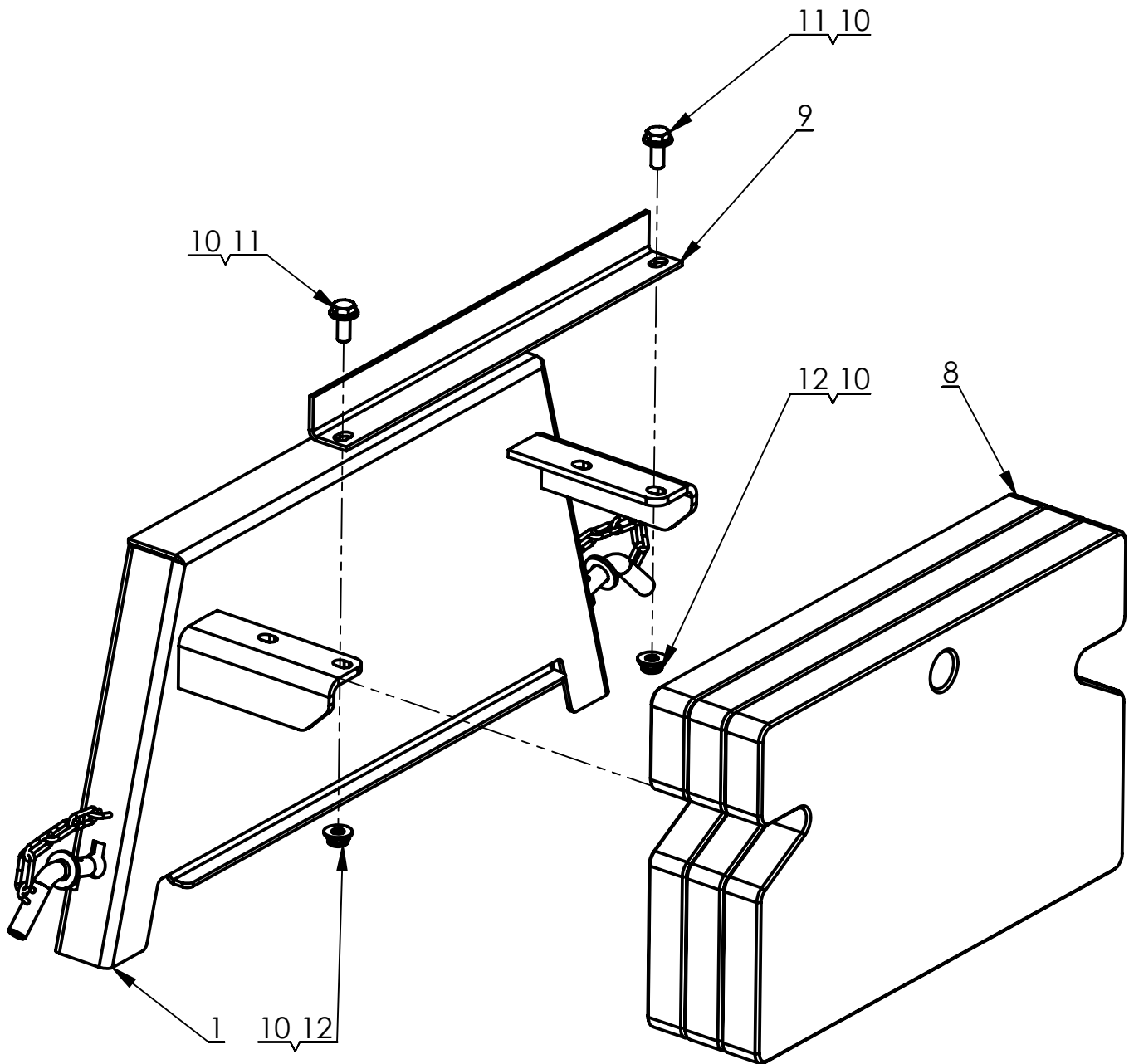
EA238 ZAVAZI NA RAM W3674  
IT WEIGHTS ON THE FRAME W3674

**WISCONSIN  
ENGINEERING**


| Po. | Ob.č./No.O | In | Název              | Description     | ks |
|-----|------------|----|--------------------|-----------------|----|
| 1   | E1944      | -a | NOSIC ZAVAZI       | WEIGHT HOLDER   | 1  |
| 2   | EA239      | -a | ZAVAZI PLECH 21 KG | WEIGHT 21 KG    | 3  |
| 3   | E1752      |    | DRZAK              | HOLDER          | 1  |
| 4   | 067291     |    | SROUB M8X20        | BOLT M8X20      | 2  |
| 5   | 596142     |    | MATICE M8          | NUT M8          | 2  |
| 6   | 070812     |    | PODLOZKA 8,4       | WASHER 8,4      | 3  |
| 7   | 041040     |    | PODLOZKA M8        | WASHER M8       | 1  |
| 8   | E1946      |    | CEP DOLNI          | BOOTOM PIN      | 1  |
| 9   | 070546     |    | PODLOZKA 19        | WASHER 19       | 2  |
| 10  | 308425     |    | ZAVLACKA 5x32      | COTTER PIN 5x32 | 2  |
| 11  | 046976     |    | SROUB M14X30       | BOLT M14X30     | 2  |
| 12  | 280115     |    | PODLOZKA M14       | WASHER M14      | 2  |
| 13  | 458861     |    | MATICE M14         | NUT M14         | 2  |
| 14  | 070525     |    | PODLOZKA 15        | WASHER 15       | 2  |

W3674

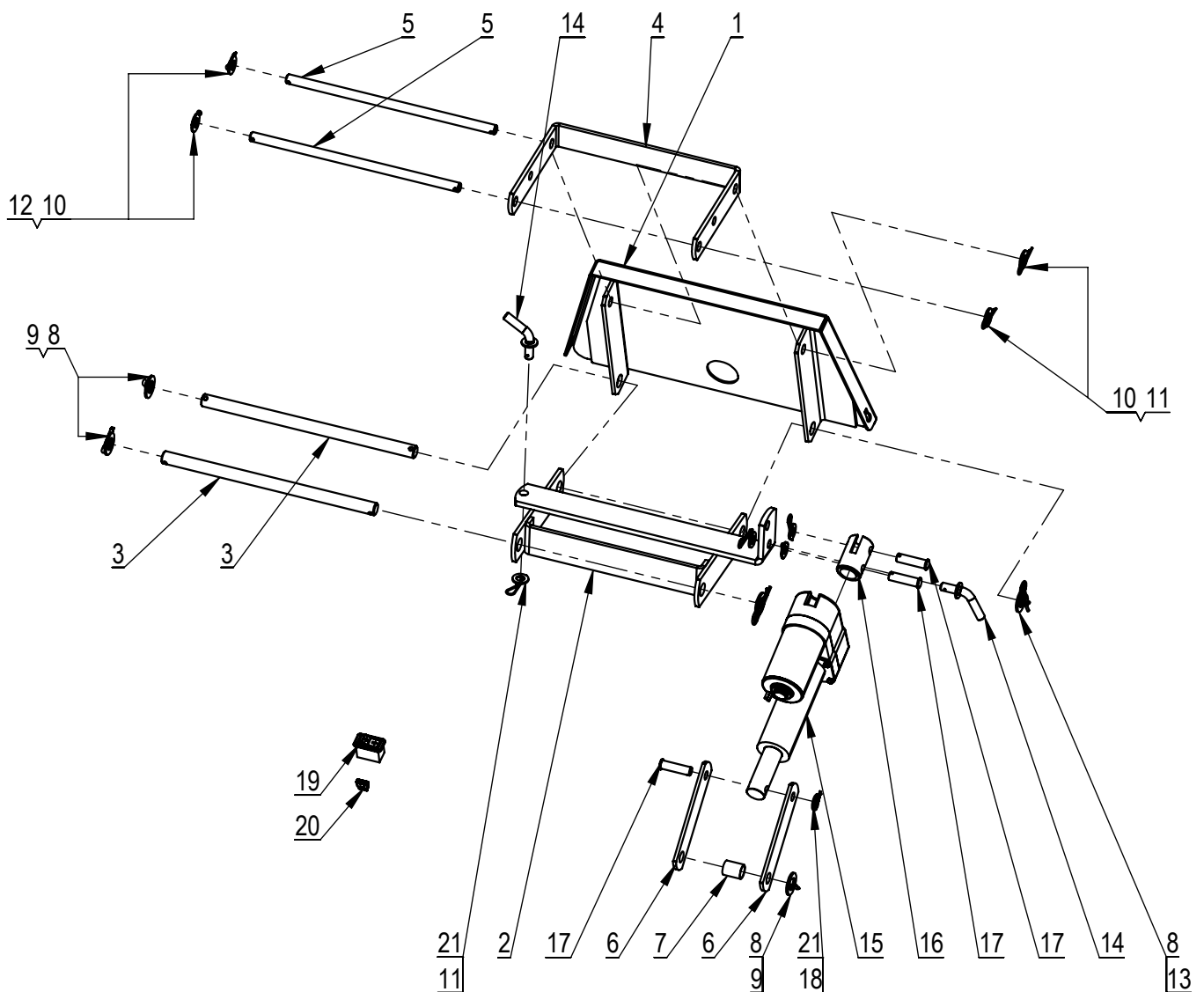
EA236 ZAVAZI PREDNI PRO W3674  
WEIGHT FRON FOR W3674

**WISCONSIN  
ENGINEERING**


| Po. | Ob.č./No.O | In | Název              | Description    | ks |
|-----|------------|----|--------------------|----------------|----|
| 1   | E1748      | -a | NOSIC ZAVAZI       | WEIGHT CARRIER | 1  |
| 2   | EA239      | -a | ZAVAZI PLECH 21 KG | WEIGHT 21 KG   | 3  |
| 3   | E1752      |    | DRZAK              | HOLDER         | 1  |
| 4   | 041040     |    | PODLOZKA M8        | WASHER M8      | 4  |
| 5   | 062421     |    | SROUB M8X20        | BOLT M8x20     | 2  |
| 6   | 596142     |    | MATICE M8          | NUT M8         | 2  |

W3674

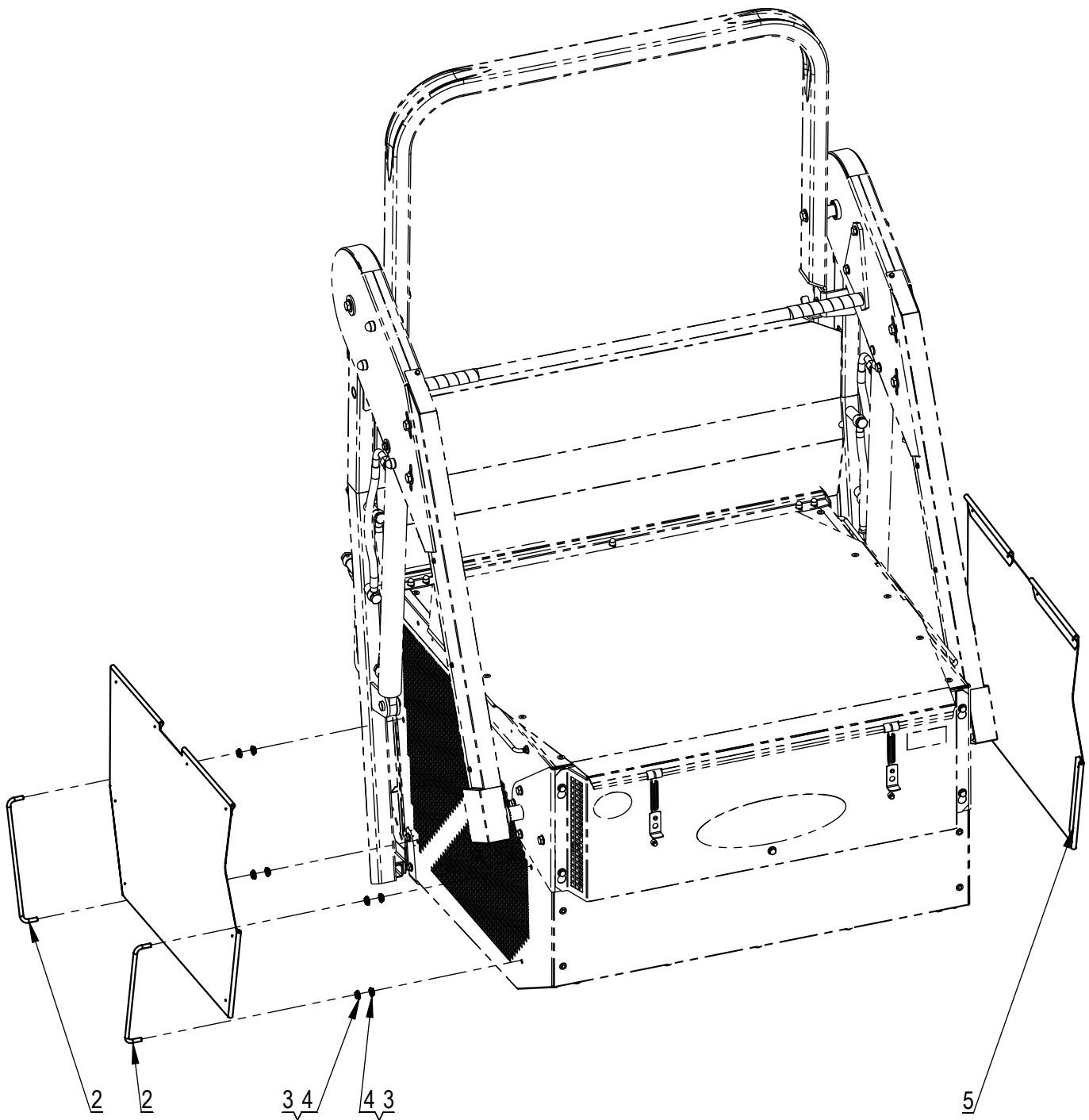
E8767 PREDNI ZAVES  
FRONT HANG

**WISCONSIN  
ENGINEERING**


| Po. | Ob.č./No.O | In | Název                          | Description                  | ks |
|-----|------------|----|--------------------------------|------------------------------|----|
| 1   | E6976      |    | DESKA ZAVESU                   | HINGE PLATE                  | 1  |
| 2   | E8571      |    | SPODNI RAMENA                  | LOWER SHOULDERS              | 1  |
| 3   | E6971      |    | CEP SPODNI                     | LOWER PIN                    | 2  |
| 4   | E6957      |    | RAMENA HORNÍ                   | UPPER SHOULDERS              | 1  |
| 5   | E6970      |    | CEP HORNÍ                      | UPPER PIN                    | 2  |
| 6   | E6969      |    | TAHLO ZAVESU                   | ROD                          | 2  |
| 7   | E6982      |    | ROZPERA TAHEL ZAVESU           | SPACER                       | 1  |
| 8   | 070546     |    | PODLOZKA 19                    | WASHER 19                    | 5  |
| 9   | 308425     |    | ZAVLACKA 5x32                  | COTTER PIN 5x32              | 3  |
| 10  | 070525     |    | PODLOZKA 15                    | WASHER 15                    | 4  |
| 11  | 041479     |    | PRUZNA POJ. SINGLE 2,5 (=2mm)  | SPRING COTTER PIN 2,5 (=2mm) | 5  |
| 12  | 072711     |    | ZAVLACKA 4x22                  | COTTER PIN 4x22              | 2  |
| 13  | 081614     |    | ZAVLACKA PRUZNA                | SPRING COTTER PIN            | 2  |
| 14  | E6960      |    | POJISTNY CEP                   | LOCKING PIN                  | 2  |
| 15  | 625526     |    | LINEAR ACTUATOR D12-10A5-04M0N | LINEAR ACTUATOR              | 1  |
| 16  | E6978      |    | SPOJKA AKTUATORU LA 10         | ACTUATOR CLUTCH              | 1  |
| 17  | E3525      |    | CEP                            | PIVOT                        | 3  |
| 18  | 072641     |    | ZAVLACKA 3,2X20                | COTTER PIN 3,2X20            | 2  |
| 19  | 023096     |    | SPINAC                         | SWITCH                       | 1  |
| 20  | 028484     |    | POJISTKA 40A                   | FUSE 40A                     | 1  |
| 21  | 070511     |    | PODLOZKA 13                    | WASHER 13                    | 5  |

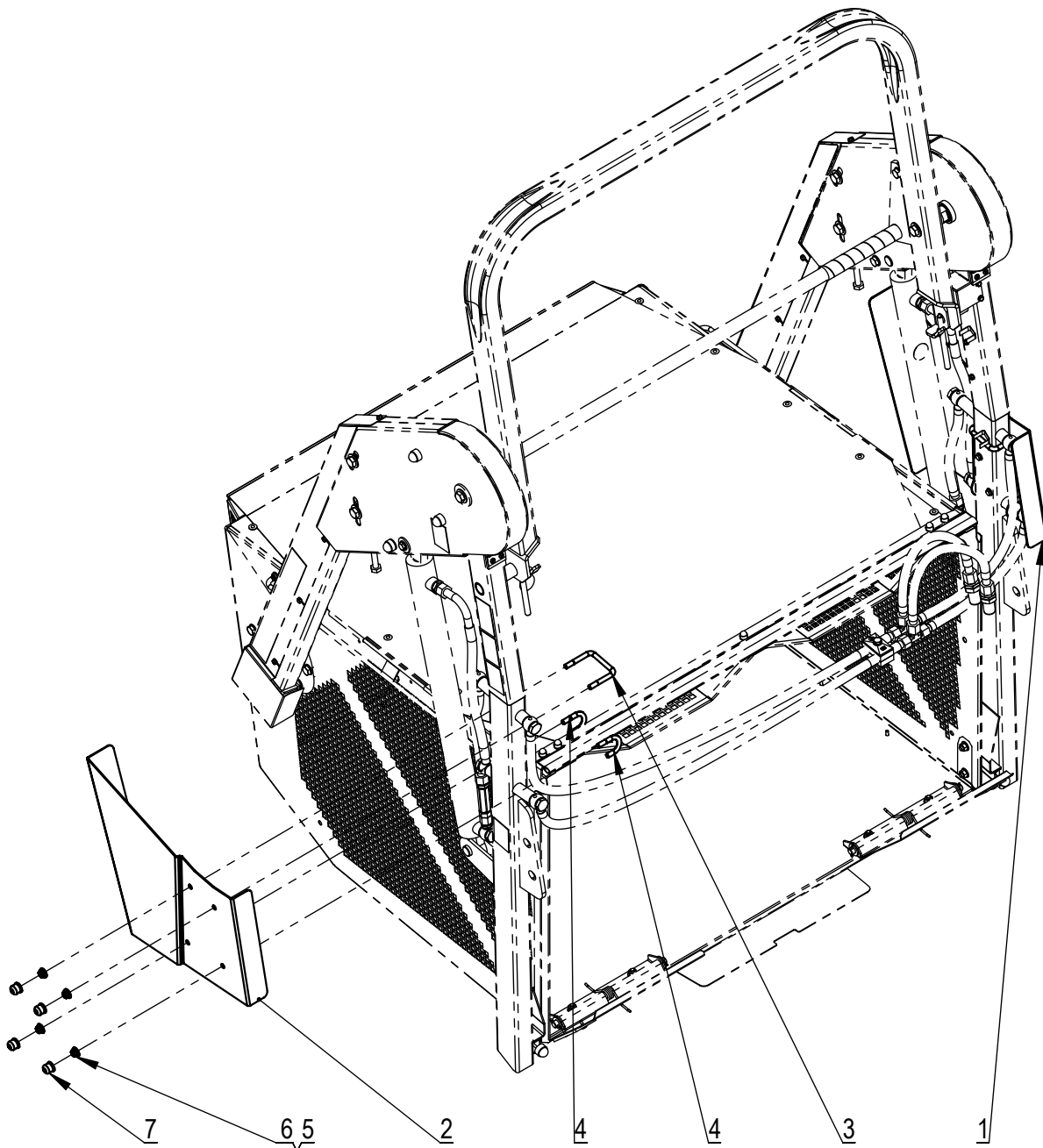
EA088

EA088 TEXTILNI CLONA ZASOBNIKU  
SIDE COVER

**WISCONSIN  
ENGINEERING**


| Po. | Ob.č./No.O | In | Název           | Description  | ks |
|-----|------------|----|-----------------|--------------|----|
| 1   | EA096      |    | PLACHETKA L     | SIDE COVER L | 1  |
| 2   | EA076      |    | DRZAK PLACHETKY | SIDE ROD     | 4  |
| 3   | 069442     |    | MATICE M8       | NUT M8       | 16 |
| 4   | 041040     |    | PODLOZKA M8     | WASHER M8    | 16 |
| 5   | EA097      |    | PLACHETKA R     | SIDE COVER R | 1  |

Y0050

Y0050 KRYT HYDRAULIKY  
HYDRAULIC COVER

| Po. | Ob.č./No.O | In | Název           | Description  | ks |
|-----|------------|----|-----------------|--------------|----|
| 1   | E1313      |    | KRYT HV L       | COVER L      | 1  |
| 2   | E1314      |    | KRYT HV P       | COVER R      | 1  |
| 3   | E1311      |    | TRMEN           | GRIP         | 2  |
| 4   | E1312      |    | UPINKA          | GRIP         | 4  |
| 5   | 041040     |    | PODLOZKA M8     | WASHER M8    | 8  |
| 6   | 596142     |    | MATICE M8       | NUT M8       | 8  |
| 7   | 190511     |    | KRYTKA MATIC M8 | NUT COVER M8 | 8  |



**WISCONSIN Engineering CZ, s.r.o.**  
**Průmyslová 4649/20, 796 01**  
**PROSTĚJOV,**  
**E-mail: ND@wisconsineng.cz**  
**[www.wisconsineng.cz](http://www.wisconsineng.cz)**  
**[www.sekamtravu.cz](http://www.sekamtravu.cz)**

**W3674 BULLDOG**